



# PARTS DRAWING



**240v 200ltr  
Bio Cooler**

**Product Code:  
BC341**

Serial Number Range:

From: 24442000196

To:

Year Of Manufacture: 2022



**\*Please note, when ordering online via our website if the part number is not recognised, please Email [spares@hscgroupuk.co.uk](mailto:spares@hscgroupuk.co.uk) or Telephone 0115 946 1988**

**KEEP THIS BOOKLET FOR FUTURE REFERENCE**

Nottingham: 0115 946 1988 • London: 0208 830 3333 ✉ Nottingham: [sales@hscgroupuk.co.uk](mailto:sales@hscgroupuk.co.uk) • London: [sean@hscgroupuk.co.uk](mailto:sean@hscgroupuk.co.uk) 🌐 [www.hscgroupuk.co.uk](http://www.hscgroupuk.co.uk)

The Hire Supply Company Terms & Conditions Apply At All Time E&OE

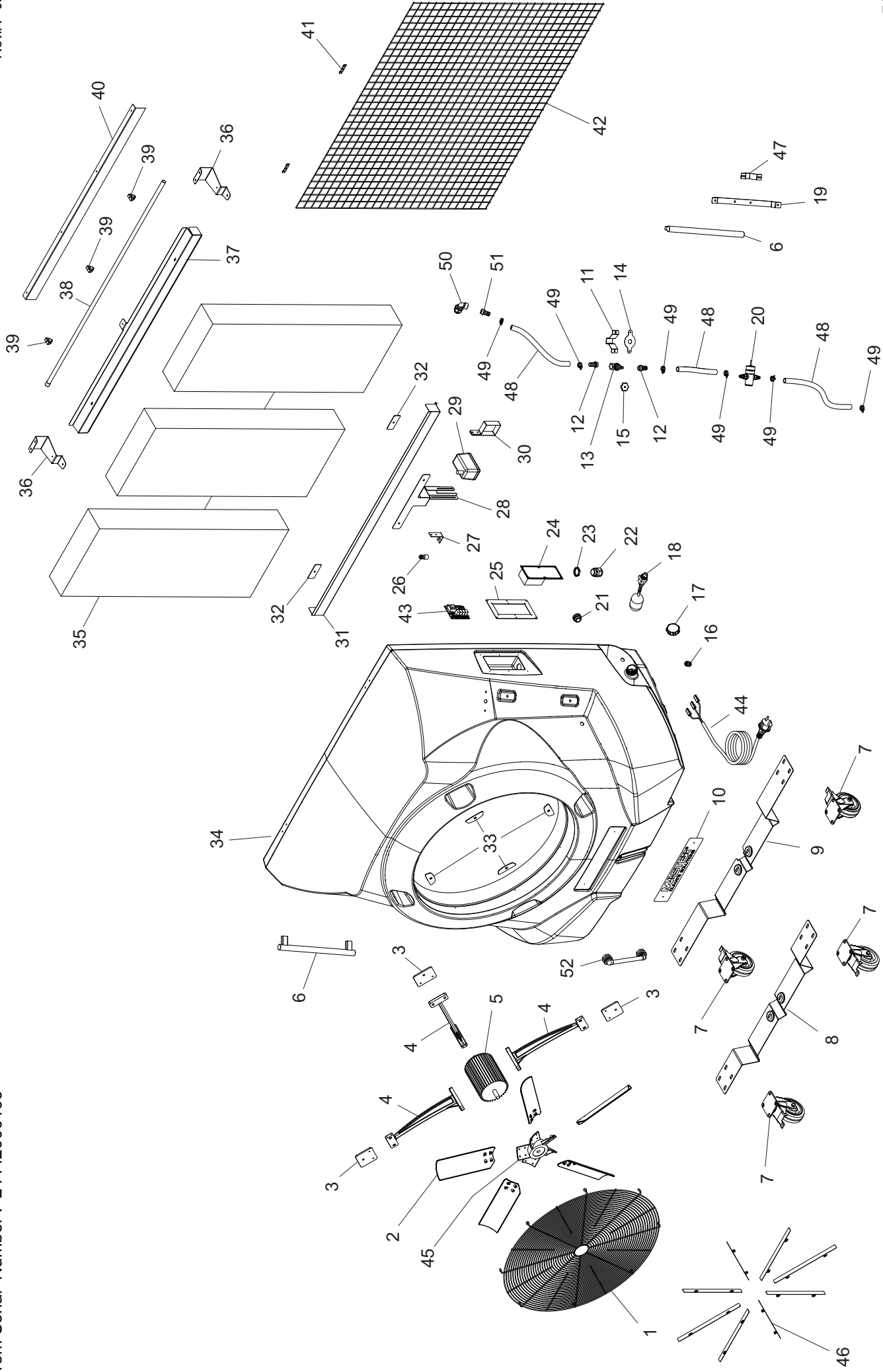
# MODEL BC 341

## UNIT 1

## ILLUSTRATED PARTS BREAKDOWN

From Serial Number : 24442000196

Rev.A - Jun. 2022



# MODEL BC 341

UNIT 2

PARTS LIST

N°	CODE	DESCRIPTION
1	4140.934	FRONT GRILLE
2	4141.315	FAN BLADE
3	4141.253	INTERNAL MOTOR FLANGE BRACKET
4	4140.948	MOTOR FLANGE
5	4140.947	MOTOR
6	4141.252	HANDLE
7	4141.249	WHEEL
8	4141.263	FRONT WHEEL BRACKET
9	4141.262	REAR WHEEL BRACKET
10	4141.285	MASTER PLATE
11	4141.283	WATER GATE BRACKET
12	4141.287	HOSE HOLDER
13	4141.286	WATER GATE
14	4141.288	WATER GATE EXTERNAL BRACKET
15	4141.289	WATER GATE HANDLE
16	4034.507	STRAIN RELIEF
17	4141.251	TANK CAP
18	4140.959	FLOAT VALVE
19	4250.432	UV LAMP BRACKET
20	4250.427	UV LAMP
21	4250.418	DISCHARGE CAP
22	4511.607	STRAIN RELIEF
23	4101.228	NUT
24	4141.105	DISPLAY BOARD
25	4141.255	DISPLAY BOARD FRAME
26	4140.954	WATER LEVEL SENSOR
27	4141.279	WATER LEVEL SENSOR BRACKET
28	4141.265	INTERNAL COMPONENTS BRACKET
29	4140.957	WATER PUMP
30	4141.281	WATER PUMP BRACKET
31	4141.256	LOWER COOLING PAD BRACKET
32	4141.280	EXTERNAL PAD BRACKET PLATE
33	4141.254	EXTERNAL MOTOR FLANGE PLATE
34	4250.439	PLASTIC BODY
35	4140.949	COOLING PAD
36	4141.258	UPPER BRACKET
37	4250.434	UPPER COOLING PAD BRACKET
38	4140.944	WATER DISTRIBUTOR
39	4250.429	CLAMP
40	4141.261	EXTERNAL PAD BRACKET
41	4141.259	EXTERNAL GRILLE CLIP
42	4141.260	EXTERNAL GRILLE
43	4141.007	PC-BOARD
44	4140.939	POWER CORD
45	4141.311	FAN HUB
46	4141.314	VENTILATION BLADE
47	4250.433	UV-LAMP BRACKET
48	4141.152	HOSE
49	4250.445	CLIP
50	4250.430	90° CONNECTION
51	4250.431	HOSE HOLDER
52	4250.461	TANK LEVEL PIPE



## Recycling



**ENVIRONMENTAL PROTECTION:** Please recycle any unwanted materials as opposed to disposing them as general waste. It is recommended the original is retained and used to store the product when not in use for prolonged periods of time. If this is not applicable ensure the materials are sorted and recycled in accordance with local regulations.



**SPECIFICATION CHANGE:** It is our policy to continually improve products to ensure these meet the rigours of the industry we serve. Therefore, as such we reserve the right to alter specifications, data, components & parts with-out prior notice.

**WARRANTY:** Please refer to the manufactures terms & conditions.

**IMPORTANT:** No liability will be accepted for the incorrect use of this product.

### KEEP THIS BOOKLET FOR FUTURE REFERENCE

📞 Nottingham: 0115 946 1988 • London: 0208 830 3333    ✉ Nottingham: [sales@hscgroupuk.co.uk](mailto:sales@hscgroupuk.co.uk) • London: [sean@hscgroupuk.co.uk](mailto:sean@hscgroupuk.co.uk)    🌐 [www.hscgroupuk.co.uk](http://www.hscgroupuk.co.uk)

The Hire Supply Company Terms & Conditions Apply At All Time E&OE