



# PARTS DRAWING

**BENASSI<sup>®</sup>**

**60cm Honda  
Cultivator**

**Product Code:  
BL301H**



Serial Number Range:

From:

To:

Year Of Manufacture:

**\*Please note, when ordering online via our website if the part number is not recognised,  
please Email [spares@hscgroupuk.co.uk](mailto:spares@hscgroupuk.co.uk) or Telephone 0115 946 1988**

**KEEP THIS BOOKLET FOR FUTURE REFERENCE**

Nottingham: 0115 946 1988 • London: 0208 830 3333 ✉ Nottingham: [sales@hscgroupuk.co.uk](mailto:sales@hscgroupuk.co.uk) • London: [sean@hscgroupuk.co.uk](mailto:sean@hscgroupuk.co.uk) 🌐 [www.hscgroupuk.co.uk](http://www.hscgroupuk.co.uk)

The Hire Supply Company Terms & Conditions Apply At All Time E&OE

# BENASSI®

# HSC

## BL301H BL301L

### MOTOR HOE

## SPARE PARTS LIST



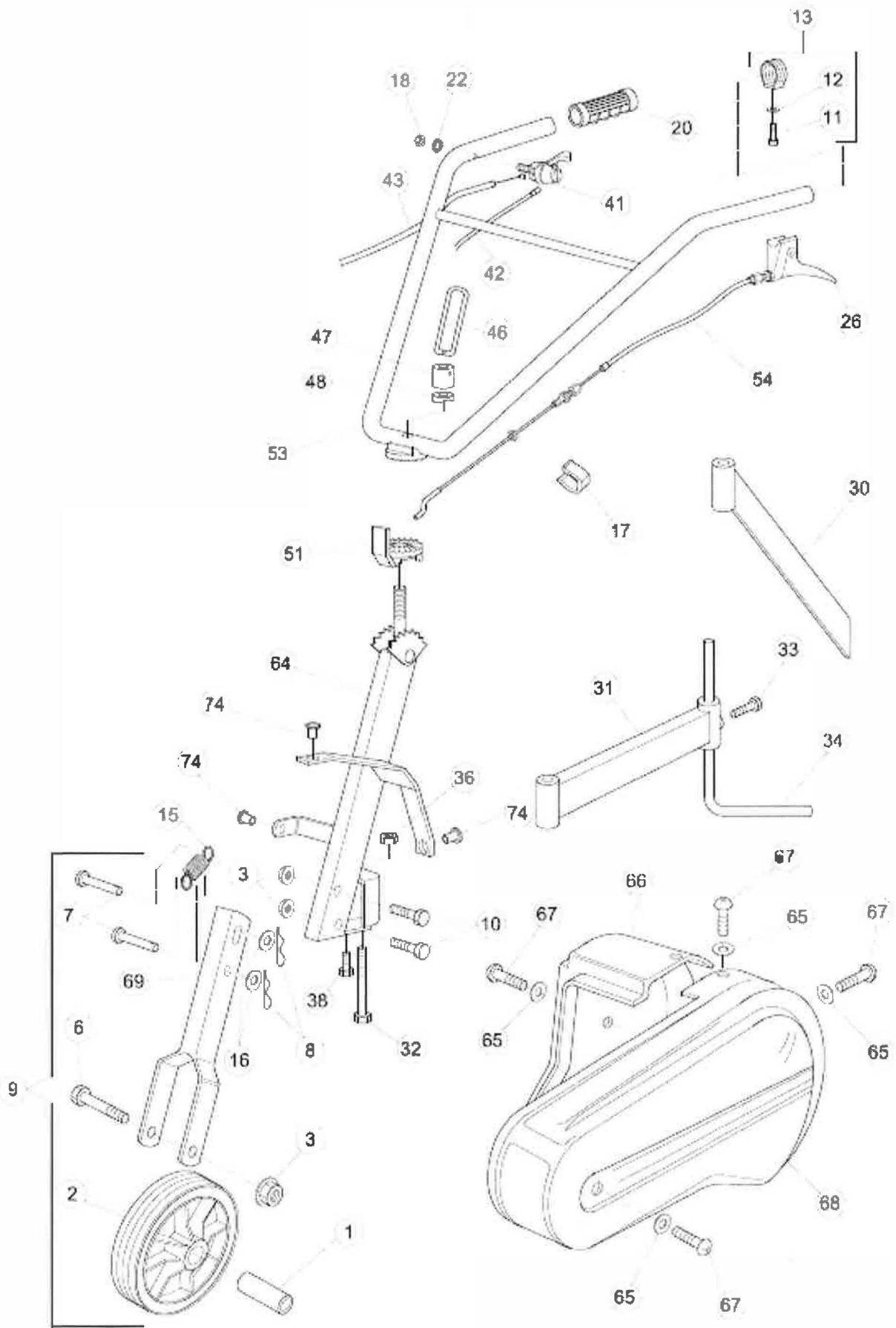
**Ref .**

266.4 Handlebar & Jockey Wheel

392.1 Chain & Transmission

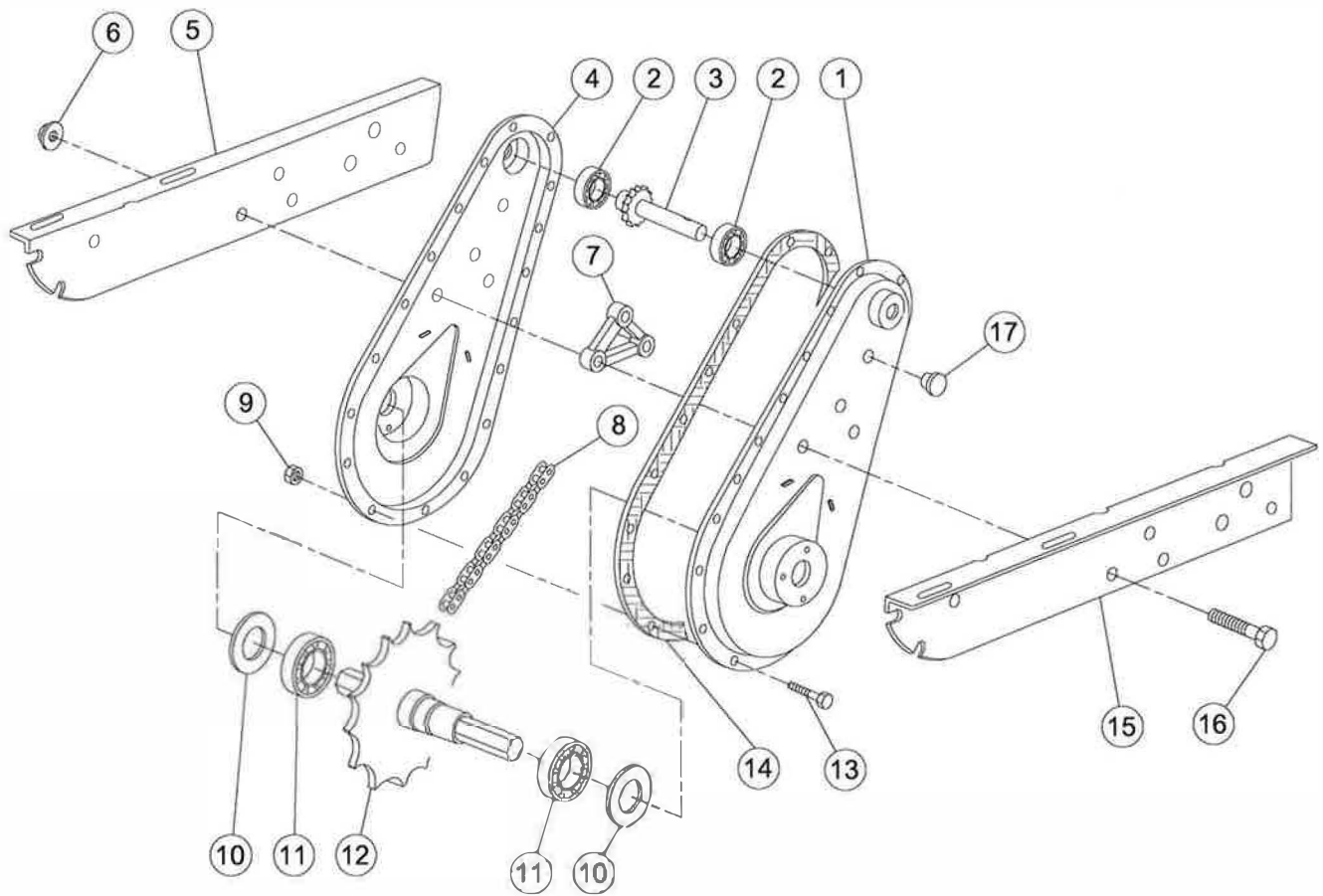
412.1 Tiller Belt Drive

SERIAL NUMBER STARTING FROM: 202201000000 21/02/2022 R00



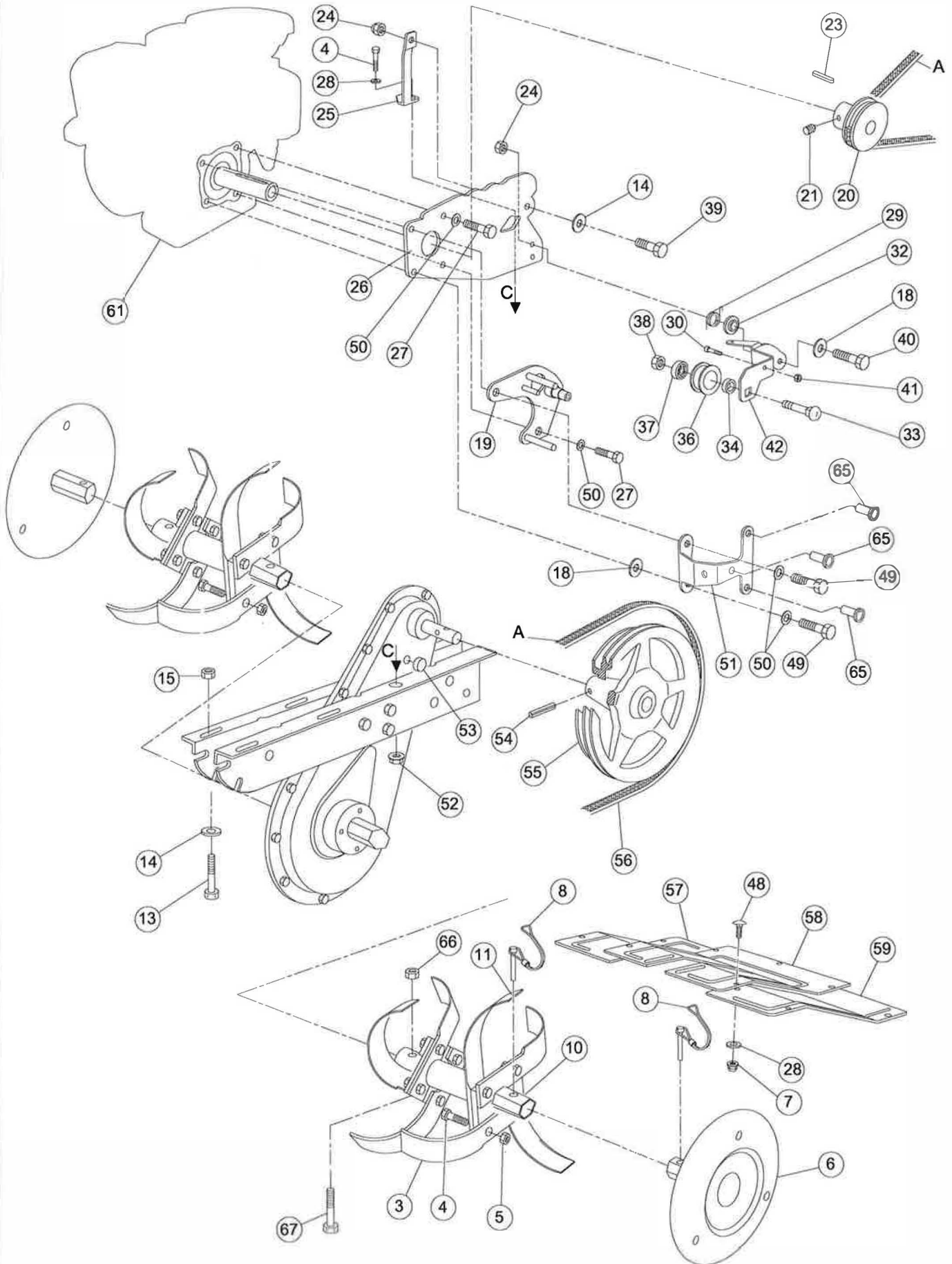
Pos.	Cod. Ricambi	Descrizione	Quantità
001	022000010	WHEEL BUSH A200 12X20X60	NR 1
002	022000022	WHEEL A200 200X50	NR 1
003	0220010370	M10 FLANGED NUT	NR 2
004	0201100340	M10 WASHER	NR 1
005	0207810550	M10 NUT	NR 1
006	022000060	M10 X 80 HEX BOLT	NR 1
007	0226600070	M10 X 50 CLEVIS PIN	NR 2
008	0202900660	R CLIP 50 X 16	NR 2
009	97066300	JOCKEY WHEEL ASSEMBLY BL300	NR 1
009	970618000	JOCKEY WHEEL ASSEMBLY BL30/BL35	NR 1
010	0207900100	M10 X 45 HEX SET SCREW	NR 2
011	0222200140	M6 X 40 HEX SET SCREW	NR 1
012	0202500220	M6 GROWLER WASHER	NR 1
013	0239100130	METAL CLAMP	NR 1
015	0240400090	WHEEL SUPPORT SPRING 15 X 37	NR 1
016	0222800250	M10 X 30 WASHER	NR 3
017	0215300140	CABLE SUPPORT CLIP	NR 2
018	0200300120	M6 BLIND NUT	NR 1
020	0226600200	HANDLE GRIP	NR 2
022	0203100040	M6 SERRATED WASHER	NR 1
026	0226640260	CLUTCH LEVER BL300	NR 1
031	0220000310	DEPTH BAR ARM BRACKET	NR 1
032	0220000320	M12 X 90 HEX SET SCREW	NR 1
033	0200600120	M10 X 26 HEX SET SCREW	NR 1
034	0217500320	DEPTH BAR	NR 1
036	0220000360	M12 NUT	NR 1
038	0200600340	M10 X 20 HEX SET SCREW	NR 1
041	0209700030	THROTTLE LEVER M6 X 70	NR 1
042	0226600420	ENGINE STOP CABLE	NR 1
043	0226600430	THROTTLE CABLE	NR 1
046	0200300060	SPRING LEVER - HANDLE BAR LOCK	NR 1
047	0200300050	THREADED BUSH - HANDLE BAR LOCK	NR 1
048	0200300040	M14.5 X 25 CONCAVE WASHER - HANDLE BAR LOCK	NR 1
051	0200300030	HANDLE BAR BRACKET 40 TOOTH	NR 1
053	0239100530	HANDLE BAR	NR 1
054	0239110540	CLUTCH CABLE	NR 1
064	0226640640	HANDLE BAR SUPPORT FRAME	NR 1
065	0200600490	M6 X 18 X 1.5 FLAT WASHER	NR 4
066	0228000451	REAR BELT COVER	NR 1
067	0219800170	M6 X 20 SCREW	NR 4
068	0228000460	FRONT BELT COVER	NR 1
074	0239600610	M6 STEEL INSERT	NR 3

# TAV. 392.1 Chain & Transmission BL301



Pos.	Cod. Ricambi	Descrizione	Quantità
001	0239200010	LEFT CRANKCASE	NR 1
002	0225900050	BEARING 6003-2RS 17 X 35 X 10 STANDARD	NR 2
003	0226300411	CHAIN SPROCKET	NR 1
004	0239200040	RIGHT CRANKCASE	NR 1
005	0239200050	ENGINE SUPPPORT BRACKET RIGHT	NR 1
006	0222700120	M8 FLANGE NUT	NR 3
007	0239200070	CRANKCASE CENTERING SPACER	NR 1
008	0226300440	CHAIN 1/2 X 5/16 08-B1 PS12,7 MA76	NR 1
009	0201400300	M5 SELF-BLOCK NUT	NR 20
010	0226300530	DUST RING 3.3 X 62	NR 2
011	0226300540	BEARING 6007 2RS 35 X 62 X 14	NR 2
012*	0239210120	SPROCKET SHAFT	NR 1
013	0239500190	M5 X 12 HEX BOLT	NR 20
014	0239200140	CRANKCASE GASKET	NR 1
015	0239200150	ENGINE SUPPPORT BRACKET LEFT	NR 1
016	0200900290	M8 X 40 HEX BOLT	NR 3
017	0227900780	GEARBOX BUNG 13.5	NR 1
018	0239210180	FRAME WITH SIDES	NR 1

# TAV. 412.1 Tiller Belt Drive BL301



Pos.	Cod. Ricambi	Descrizione	Quantità
003*	0241210030	TINE LEFT 4 X 30	NR 8
005	0200100060	M8 NUT	NR 16
006*	0241210060	TINE DISC	NR 2
007	0239000070	M6 NUT	NR 1
008	0233600230	M8 X 45CLEVIS PIN C/W LOOP	NR 4
010*	0241210100	TINE HUB	NR 2
011*	0241210110	TINE RIGHT 4 X 30	NR 8
013	0200900290	M8 X 40 HEX BOLT	NR 4
014	0200300170	M8 FLAT WASHER	NR 5
015	0239000150	M8 FLANGE NUT	NR 4
018	0239000180	SPECIAL WASHER 8.5 X 25 X 2.8	NR 1
019	0239000190	INPUT SUPPORT	NR 1
020	0239000200	DRIVE PULLEY	NR 1
021	0220700690	M6 X 8 GRUB SCREW	NR 1
023	0239000230	SHAFT KEY 4.76 X 4.76 X 38.1MM (1.5 X 0.1875" SQUARE)	NR 1
024	0200200090	M8 SELF-BLOCK NUT	NR 2
026	0239000260	BELT TENSIONER PLATE	NR 1
027	0200100160	M8 X 20 HEX BOLT	NR 19
027	0206600810	5/16-24 UNF 3/4" (19mm) BOLT	NR 2
028	0200100070	M8 WASHER	NR 6
029	0239000290	BELT TENSION SPRING	NR 1
030	0103600690	M6 X 12 SCREW	NR 1
032	0239000320	SPACER H6.3 8.5 X 25/14	NR 1
033	0239000330	M10 X 30 HEX BOLT	NR 1
034	0239000340	TENSIONER BUSH	NR 1
036	0219800270	BELT TENSIONER PULLEY	NR 1
037	0219800260	BEARING 6300 2RS 10 X 35 X 11	NR 1
038	0200600140	M10 NUT	NR 1
041	0225500130	M6 FLANGED NUT	NR 1
042	0239000420	BELT TENSIONER SUPPORT	NR 1
043	0227500580	BEARING 6201 8RS 12 X 32 X 10	NR 1
048	0239000480	M6 X 16 SCREW + NUT	NR 6
049	0200200180	M8 X 25 HEX BOLT	NR 1
049	0227700880	5/16-24 UNF 1" (25,4mm) HEX BOLT	NR 2
050	0200300160	M8 GROWLER WASHER	NR 4
051	0239000510	REAR BELT COVER SUPPORT BRACKET	NR 1
052	0222700120	M8 FLANGED NUT	NR 1
053	0227900780	GEARBOX BUNG 13.5	NR 2
054	0219800072	ELASTIC PIN 6 X 36	NR 1
055	0239000550	DOUBLE PULLEY	NR 1
056	0239000560	DRIVE BELT 4L X 450 LG84 (XDV 48 X 450)	NR 1
057	0219800130	TINE COVER EXTENSION RIGHT	NR 1
058	0219800150	CENTRAL TINE COVER	NR 1
059	0219800160	TINE COVER EXTENSION LEFT	NR 1
060	0239000600	BELT TENSIONER SUPPORT	NR 1
061	36102020	ENGINE HONDA GX160H2 QH-B1-OH	NR 1
061	36102530	ENGINE LIFAN LFE168 4 kW 196 cc	NR 1
065	0239600610	M6 STEEL INSERT	NR 2
066	0200600580	M8 SELF-BLOCK NUT	NR 1
067	0226430030	M8 X 50 HEX BOLT	NR 1





## Recycling



**ENVIRONMENTAL PROTECTION:** Please recycle any unwanted materials as opposed to disposing them as general waste. It is recommended the original is retained and used to store the product when not in use for prolonged periods of time. If this is not applicable ensure the materials are sorted and recycled in accordance with local regulations.



**SPECIFICATION CHANGE:** It is our policy to continually improve products to ensure these meet the rigours of the industry we serve. Therefore, as such we reserve the right to alter specifications, data, components & parts with-out prior notice.

**WARRANTY:** Please refer to the manufactures terms & conditions.

**IMPORTANT:** No liability will be accepted for the incorrect use of this product.

### KEEP THIS BOOKLET FOR FUTURE REFERENCE

📞 Nottingham: 0115 946 1988 • London: 0208 830 3333    ✉ Nottingham: [sales@hscgroupuk.co.uk](mailto:sales@hscgroupuk.co.uk) • London: [sean@hscgroupuk.co.uk](mailto:sean@hscgroupuk.co.uk)    🌐 [www.hscgroupuk.co.uk](http://www.hscgroupuk.co.uk)

The Hire Supply Company Terms & Conditions Apply At All Time E&OE