



PARTS DRAWING

MCE **MASTER**[®]
CLIMATE SOLUTIONS

**Master Dual Voltage
Indirect Oil-Fired Heater**

**Product Code:
BV77EDV**



Serial Number Range:

From: 06236000243

To:

Year Of Manufacture: 2016

***Please note, when ordering online via our website if the part number is not recognised,
please Email spares@hscgroupuk.co.uk or Telephone 0115 946 1988**

KEEP THIS BOOKLET FOR FUTURE REFERENCE

Nottingham: 0115 946 1988 • London: 0208 830 3333 ✉ Nottingham: sales@hscgroupuk.co.uk • London: sean@hscgroupuk.co.uk 🌐 www.hscgroupuk.co.uk

The Hire Supply Company Terms & Conditions Apply At All Time E&OE

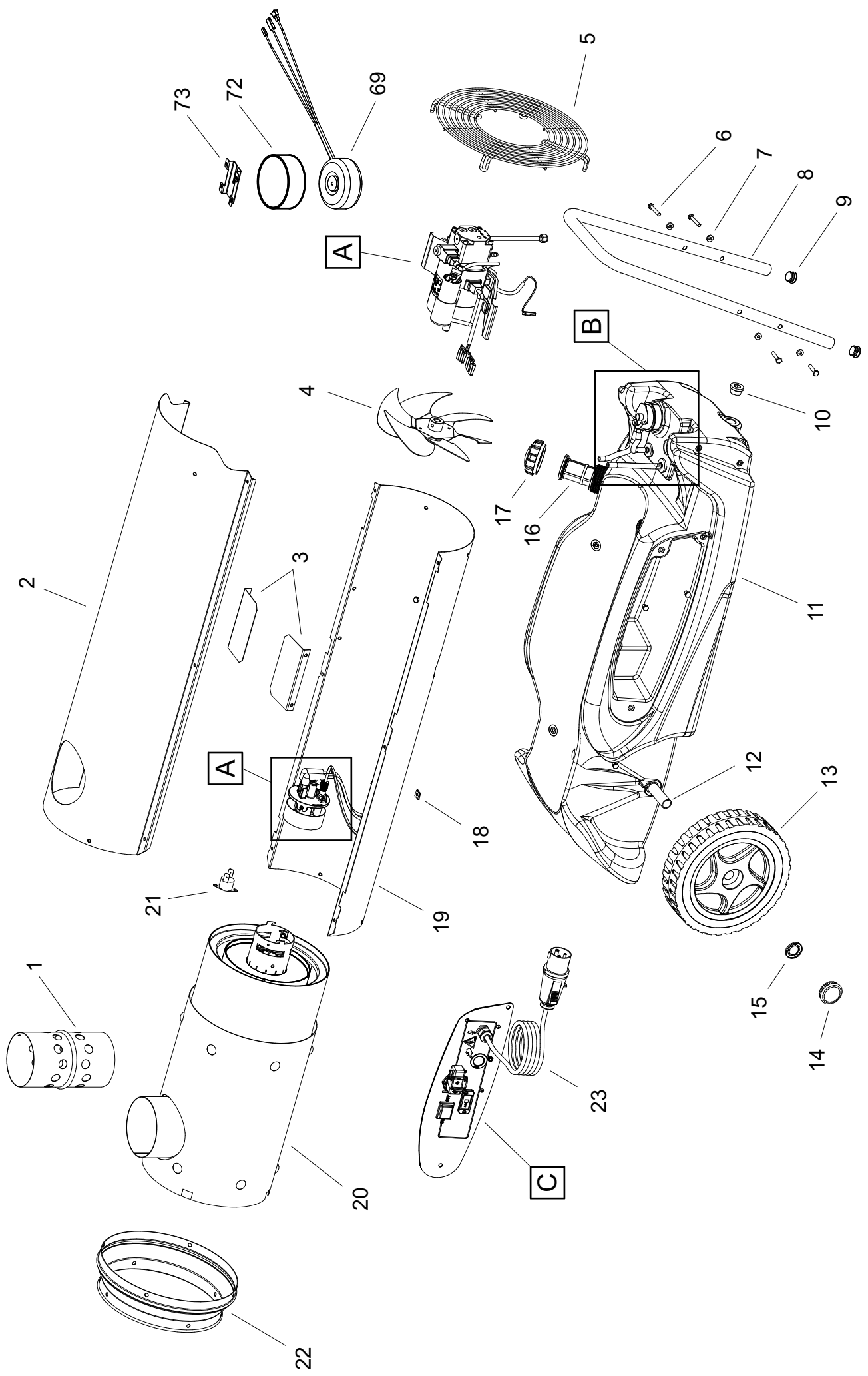
MODEL BV77 E DV

UNIT 1

ILLUSTRATED PARTS BREAKDOWN

From Serial Number: 06236000243

Rev.A - Apr. 2016

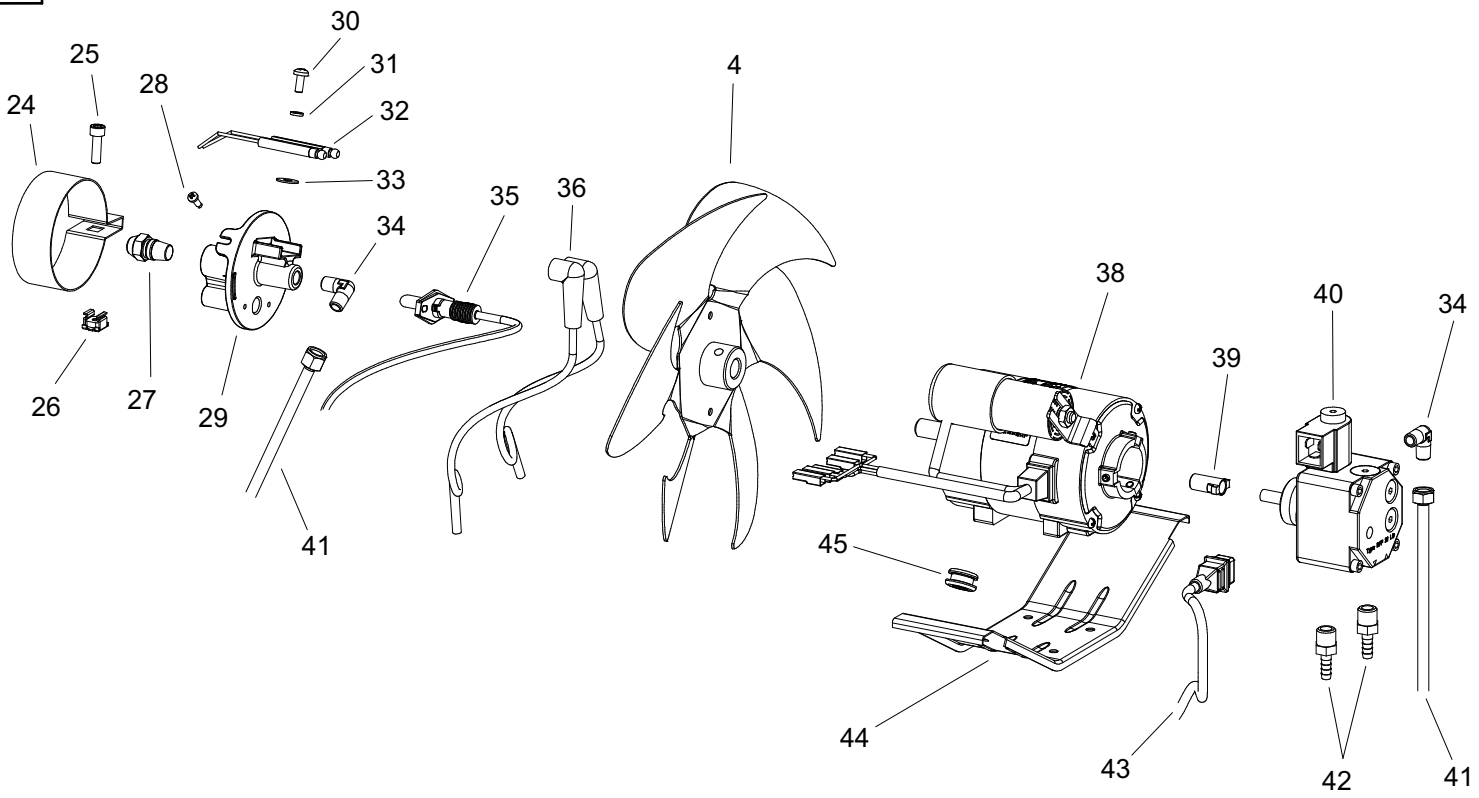


MODEL BV77 E DV

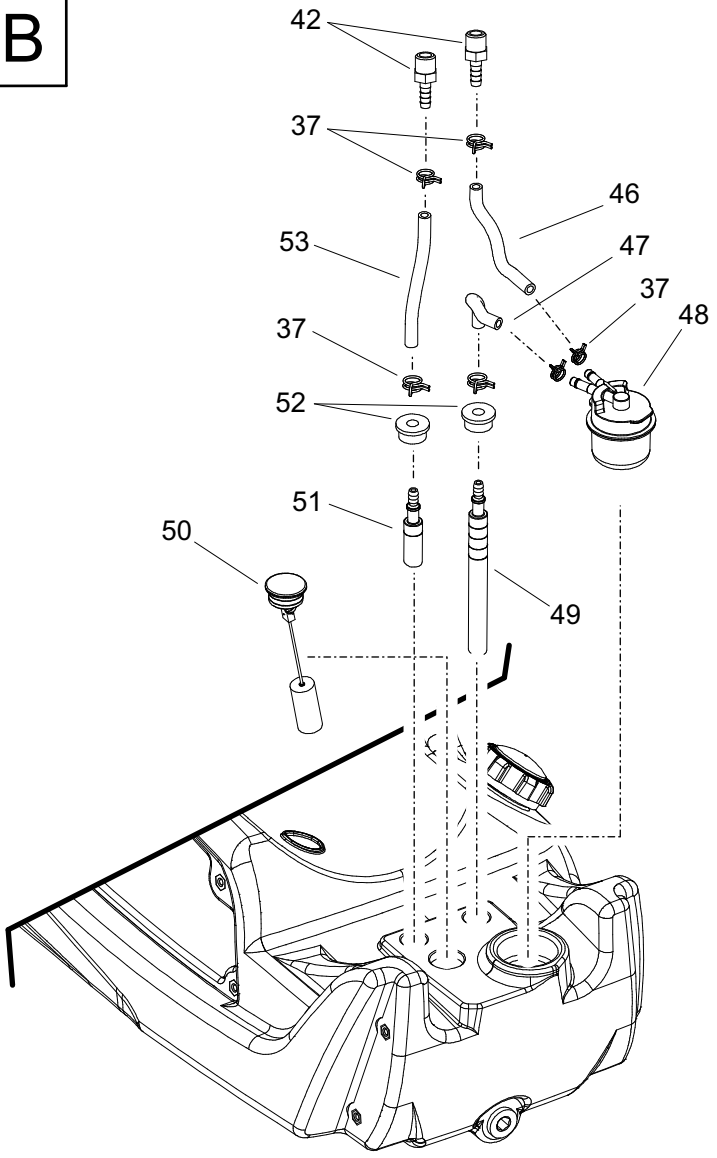
UNIT 2

ILLUSTRATED PARTS BREAKDOWN

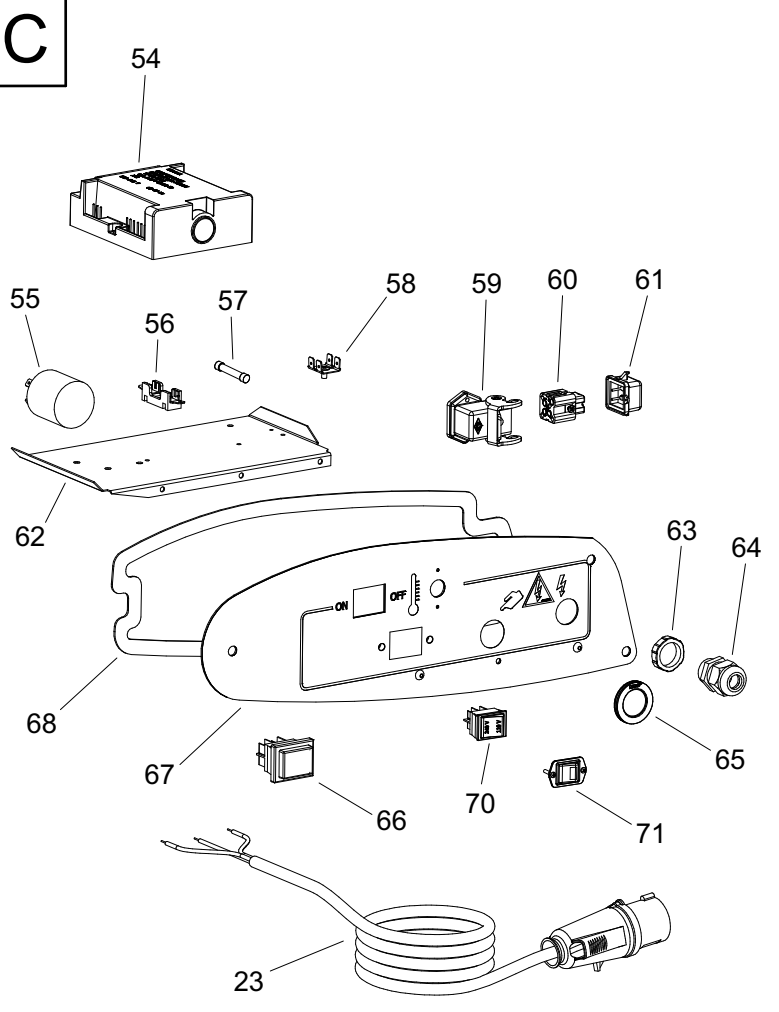
A



B



C



MODEL BV77 E DV

UNIT 3

PARTS LIST

Pos.	Code NR	Description	Rev. A - Apr. 2016
1	4032.387	CHIMNEY	
2	4032.832	UPPER SHELL	
3	4032.808	AIR FLAP	
4	4033.070	FAN	
5	4032.836	INLET GRID	
6	4140.665	SCREW	
7	4160.272	WASHER	
8	4032.386	HANDLE	
9	4032.979	CAP	
10	4032.813	DRAIN PLUG	
11	4033.267	TANK	
12	4032.389	AXLE	
13	4032.094	WHEEL	
14	4111.480	WHEEL CAP	
15	4111.072	WHEEL HOLDER	
16	4201.185	TANK FILTER	
17	4032.846	TANK CAP	
18	4104.170	CLIP NUT	
19	4032.834	LOWER SHELL	
20	4033.081	COMBUSTION CHAMBER	
21	4032.883	LIMIT THERMOSTAT	
22	4031.657	OUTLET CONE	
23	4100.125	POWER CORD UK YELLOW	
24	4032.545	AIR REGULATION FLAP	
25	4032.455	SCREW	
26	4032.454	CAGE NUT	
27	4031.536	NOZZLE	
28	4161.956	SCREW	
29	4033.042	BURNER FLANGE	
30	4110.363	SCREW	
31	4110.393	AUTOLOCK WASHER	
32	4033.123	BIFILAR ELECTRODE	
33	4110.394	FIBER WASHER	
34	4033.198	ELBOW	
35	4033.022	PHOTOCELL	
36	4031.048	HIGH TENSION CABLES	
37	4100.810	PIPE CLAMP	
38	4033.219	MOTOR	<i>Alternative code: 4033.312</i>
39	4111.081	COUPLING	
40	4111.042	PUMP	
41	4033.187	FLEXIBLE OIL PIPE	
42	4032.906	FITTING	
43	4032.342	SOLENOID SPOOL CORD	
44	4032.835	MOTOR BRACKET	
45	4032.947	CABLE PROTECTION	
46	4033.269	OIL PIPE FILTER-PUMP	
47	4033.268	OIL PIPE TANK-TANK FILTER	
48	4260.107	FUEL FILTER	
49	4110.355	OIL SUCTION LINE	
50	4260.099	FUEL GAUGE	
51	4033.038	OIL DISCHARGE LINE	
52	4100.541	RUBBER BUSHING	
53	4110.032	OIL DISCHARGE PIPE	

ESP00296

MODEL BV77 E DV

UNIT 4

PARTS LIST

Pos.	Code NR	Description	Rev. A - Apr. 2016
54	4033.017	IGNITION CONTROL	
55	4032.771	POWER LINE RFI FILTER	
56	4033.301	FUSE HOLDER	
57	4106.219	FUSE	
58	4160.639	POP RIVET TERMINAL 4 WAY	
59	4160.647	THERMOSTAT SOCKET 90°	
60	4161.400	CONNECTION PLUG	
61	4162.467	THERMOSTAT CAP	
62	4033.292	ELECTRICAL COMPONENTS BASE	
63	4100.656	NUT	
64	4150.528	STRAIN RELIEF	
65	4033.251	BOARD BUTTON CAP	
66	4165.204	SWITCH	
67	4100.121	ELECTRICAL PANEL	
	4100.124	ADHESIVE	
68	4033.274	PANEL GASKET	
69	4100.110	AUTOTRANSFORMER	
70	4100.143	SWITCH DUAL VOLTAGE	
71	4106.233	COVER SWITCH DUAL VOLTAGE	
72	4100.823	AUTOTRANSFORMER BOX	
73	4100.111	AUTOTRANSFORMER BRACKET	

RECOMMENDED SPARE PARTS

POS.	Code NR	Description	Rev. A - Apr. 2016
21	4032.883	LIMIT THERMOSTAT	
32	4033.123	BIFILAR ELECTRODE	
35	4033.022	PHOTOCELL	
36	4031.048	HIGH TENSION CABLES	
38	4033.219	MOTOR	Alternative code: 4033.312
39	4111.081	COUPLING	
40	4111.042	PUMP	
43	4032.342	SOLENOID SPOOL CORD	
48	4260.107	FUEL FILTER	
54	4033.017	IGNITION CONTROL	
55	4032.771	POWER LINE RFI FILTER	
57	4106.219	FUSE	
59	4160.647	THERMOSTAT SOCKET 90°	
61	4162.467	THERMOSTAT CAP	



Recycling



ENVIRONMENTAL PROTECTION: Please recycle any unwanted materials as opposed to disposing them as general waste. It is recommended the original is retained and used to store the product when not in use for prolonged periods of time. If this is not applicable ensure the materials are sorted and recycled in accordance with local regulations.



SPECIFICATION CHANGE: It is our policy to continually improve products to ensure these meet the rigours of the industry we serve. Therefore, as such we reserve the right to alter specifications, data, components & parts with-out prior notice.

WARRANTY: Please refer to the manufactures terms & conditions.

IMPORTANT: No liability will be accepted for the incorrect use of this product.

KEEP THIS BOOKLET FOR FUTURE REFERENCE

📞 Nottingham: 0115 946 1988 • London: 0208 830 3333 ✉ Nottingham: sales@hscgroupuk.co.uk • London: sean@hscgroupuk.co.uk 🌐 www.hscgroupuk.co.uk

The Hire Supply Company Terms & Conditions Apply At All Time E&OE