



PARTS DRAWING



Master Dual Voltage Indirect Oil-Fired Heater

**Product Code:
BV77EDV**



Serial Number Range:

From: 06237001954

To:

Year Of Manufacture: 2017

***Please note, when ordering online via our website if the part number is not recognised,
please Email spares@hscgroupuk.co.uk or Telephone 0115 946 1988**

KEEP THIS BOOKLET FOR FUTURE REFERENCE

📞 Nottingham: 0115 946 1988 • London: 0208 830 3333 ✉ Nottingham: sales@hscgroupuk.co.uk • London: sean@hscgroupuk.co.uk 🌐 www.hscgroupuk.co.uk

The Hire Supply Company Terms & Conditions Apply At All Time E&OE

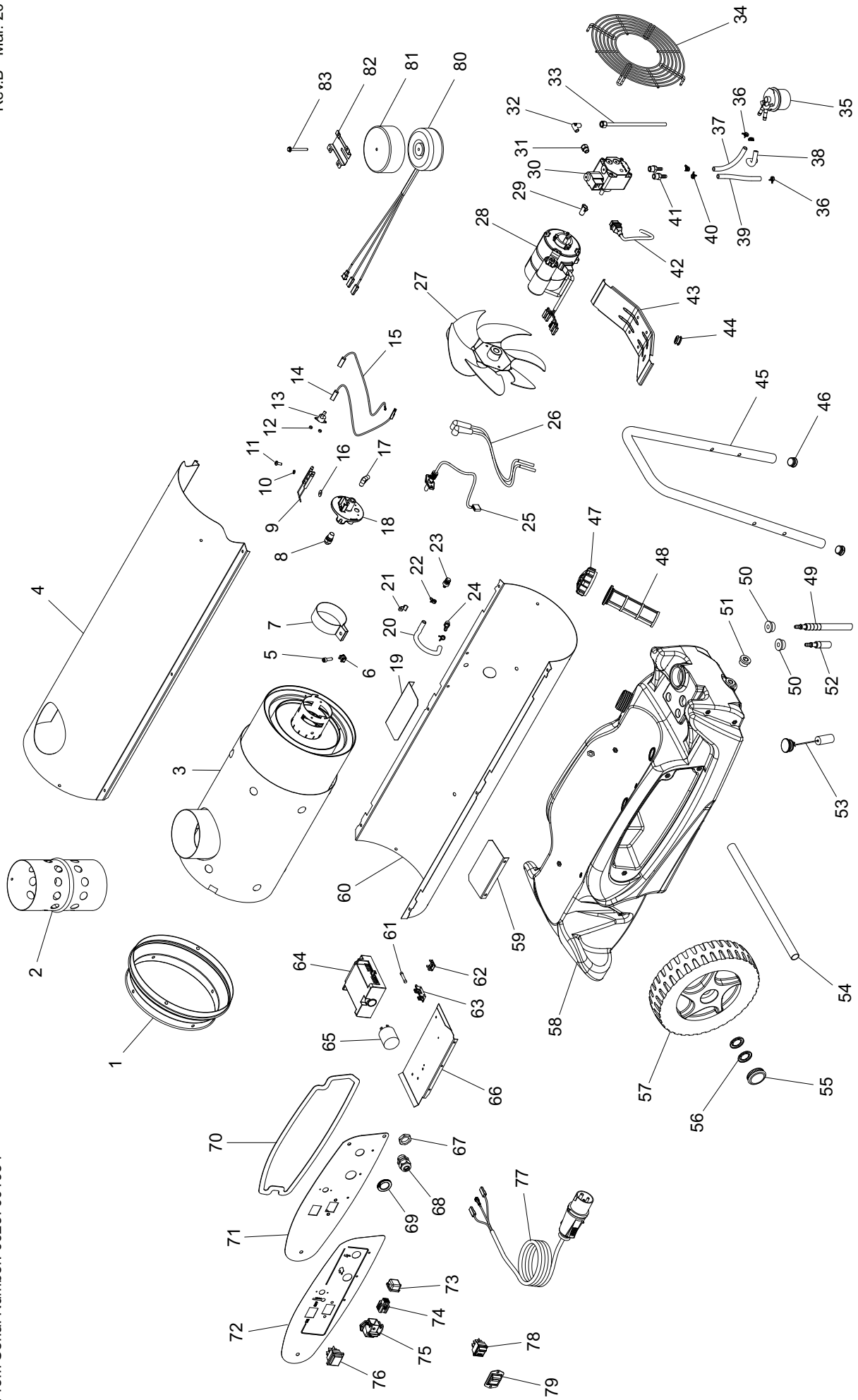
MODEL BV77 E DUAL VOLTAGE - 110-240 V / 50 Hz

UNIT 1

ILLUSTRATED PARTS BREAKDOWN

From Serial Number: 06237001954

Rev.B - Mar. 2017



MODEL BV 77 E - DUAL VOLTAGE 110-230 V / 50 Hz

UNIT 2

PARTS LIST

Pos.	Code N°	Description	Rev.B - Mar. 2017
1	4031.657	OUTLET CONE	
2	4032.387	CHIMNEY	
3	4033.081	COMBUSTION CHAMBER	
4	4032.832	UPPER SHELL	
5	4032.455	SCREW	
6	4032.454	CAGE NUT	
7	4032.545	AIR DAMPER	
8	4031.536	NOZZLE	
9	4032.396	BIFILAR ELECTRODE	
10	4110.393	ELASTIC WASHER	
11	4160.601	SCREW	
12	4032.692	SPACER	
13	4032.883	SAFETY THERMOSTAT	
14	4111.087	THERMOSTAT WIRE	
15	4032.946	THERMOSTAT WIRE	
16	4110.394	FIBER WASHER	
17	4033.198	90° CONNECTION	
18	4033.042	COMBUSTION HEAD	
19	4032.808	AIR FLAP	
20	4110.032	RUBBER PIPE	
21	4033.879	CLIP	
22	4100.810	CLAMP	
23	4260.246	BREATHE VALVE	
24	4034.390	STRAIGHT CONNECTION	
25	4032.772	PHOTOCELL	
26	4031.048	HIGH TENSION WIRES	
27	4033.070	FAN	
28	4033.219	MOTOR	
29	4111.081	MOTOR COUPLING	
30	4111.042	FUEL PUMP	
31	4161.501	STRAIGHT CONNECTION	
32	4033.198	90° CONNECTION	
33	4033.187	OIL PIPE	
34	4032.836	GRILLE	
35	4260.107	FUEL FILTER	
36	4100.810	CLAMP	
37	4033.269	RUBBER PIPE	
38	4033.268	RUBBER PIPE	
39	4110.032	RUBBER PIPE	
40	4100.810	CLAMP	
41	4032.906	STRAIGHT CONNECTION	
42	4032.342	ELECTROVALVE WIRE	
43	4032.835	MOTOR SUPPORT	
44	4032.947	WIRE PROTECTION	
45	4032.386	HANDLE	
46	4032.979	CAP	
47	4032.704	TANK CAP	
48	4201.185	TANK FILTER	
49	4100.355	SUCTION PIPE	
50	4100.541	RUBBER BUSH	

MODEL BV 77 E - DUAL VOLTAGE 110-230 V / 50 Hz

UNIT 2

PARTS LIST

Pos.	Code N°	Description	Rev.B - Mar. 2017
51	4032.813	TANK DRAIN CAP	
52	4033.038	DISCHARGE PIPE	
53	4260.099	FUEL GAUGE	
54	4032.389	WHEELS AXLE	
55	4111.480	WHEELS CAP	
56	4111.072	BLOCK WASHER	
57	4032.094	WHEEL	
58	4034.387	TANK	
59	4032.808	AIR FLAP	
60	4034.389	LOWER SHELL	
61	4106.219	FUSE	
62	4160.639	GROUND TERMINALS	
63	4033.301	FUSE HOLDER	
64	4033.017	PC-BOARD	
65	4032.771	ELECTRICAL LINE FILTER	
66	4033.292	COMPONENTS SUPPORT	
67	4100.656	NUT	
68	4150.528	STRAIN RELIEF	
69	4033.251	PC-BOARD PROTECTION	
70	4033.274	CONTROL PANEL GASKET	
71	4033.272	CONTROL PANEL	
72	4033.273	CONTROL PANEL LABEL	
73	4162.467	THERMOSTAT CAP	
74	4161.400	THERMOSTAT PLUG	
75	4160.647	THERMOSTAT SOCKET	
76	4165.204	SWITCH	
77	4100.125	POWER CORD YELLOW	
78	4100.143	DUAL VOLTAGE SWITCH	
79	4106.233	DUAL VOLTAGE COVER SWITCH	
80	4100.110	AUTOTRANSFORMER	
81	4100.823	AUTOTRANSFORMER BOX	
82	4100.111	AUTOTRANSFORMER BRACKET	
83	4117.468	SCREW	

RECOMMENDED SPARE PARTS

POS.	Code NR	Description
8	4031.536	NOZZLE
9	4032.396	BIFILAR ELECTRODE
13	4032.883	SAFETY THERMOSTAT
25	4032.772	PHOTOCELL
26	4031.048	HIGH TENSION WIRES
28	4033.219	MOTOR
30	4111.042	FUEL PUMP
35	4260.107	FUEL FILTER
48	4201.185	TANK FILTER
61	4106.219	FUSE
64	4033.017	PC-BOARD
65	4032.771	ELECTRICAL LINE FILTER
78	4100.143	DUAL VOLTAGE SWITCH
79	4106.233	DUAL VOLTAGE COVER SWITCH
80	4100.110	AUTOTRANSFORMER



Recycling



ENVIRONMENTAL PROTECTION: Please recycle any unwanted materials as opposed to disposing them as general waste. It is recommended the original is retained and used to store the product when not in use for prolonged periods of time. If this is not applicable ensure the materials are sorted and recycled in accordance with local regulations.



SPECIFICATION CHANGE: It is our policy to continually improve products to ensure these meet the rigours of the industry we serve. Therefore, as such we reserve the right to alter specifications, data, components & parts with-out prior notice.

WARRANTY: Please refer to the manufactures terms & conditions.

IMPORTANT: No liability will be accepted for the incorrect use of this product.

KEEP THIS BOOKLET FOR FUTURE REFERENCE

📞 Nottingham: 0115 946 1988 • London: 0208 830 3333 ✉ Nottingham: sales@hscgroupuk.co.uk • London: sean@hscgroupuk.co.uk 🌐 www.hscgroupuk.co.uk

The Hire Supply Company Terms & Conditions Apply At All Time E&OE