



PARTS DRAWING



Master Dual Voltage Indirect Oil-Fired Heater

**Product Code:
BV170DV**



Serial Number Range:

From: 234000388

To: 09234001978

Year Of Manufacture: 2014

***Please note, when ordering online via our website if the part number is not recognised,
please Email spares@hscgroupuk.co.uk or Telephone 0115 946 1988**

KEEP THIS BOOKLET FOR FUTURE REFERENCE

📞 Nottingham: 0115 946 1988 • London: 0208 830 3333 ✉ Nottingham: sales@hscgroupuk.co.uk • London: sean@hscgroupuk.co.uk 🌐 www.hscgroupuk.co.uk

The Hire Supply Company Terms & Conditions Apply At All Time E&OE

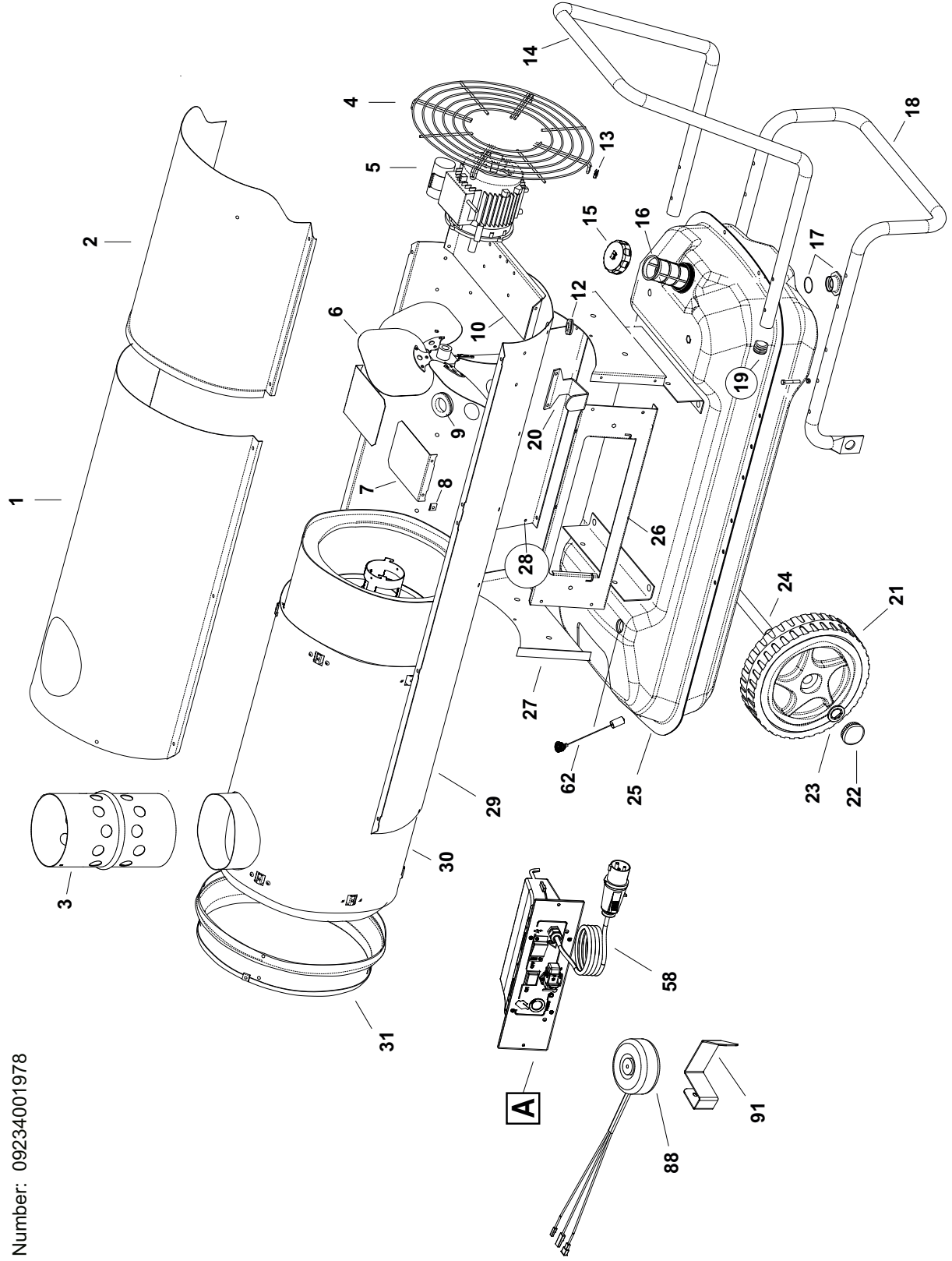
MODEL BV170 E DV

UNIT 1

ILLUSTRATED PARTS BREAKDOWN

From Serial Number: 234000388
Until Serial Number: 09234001978

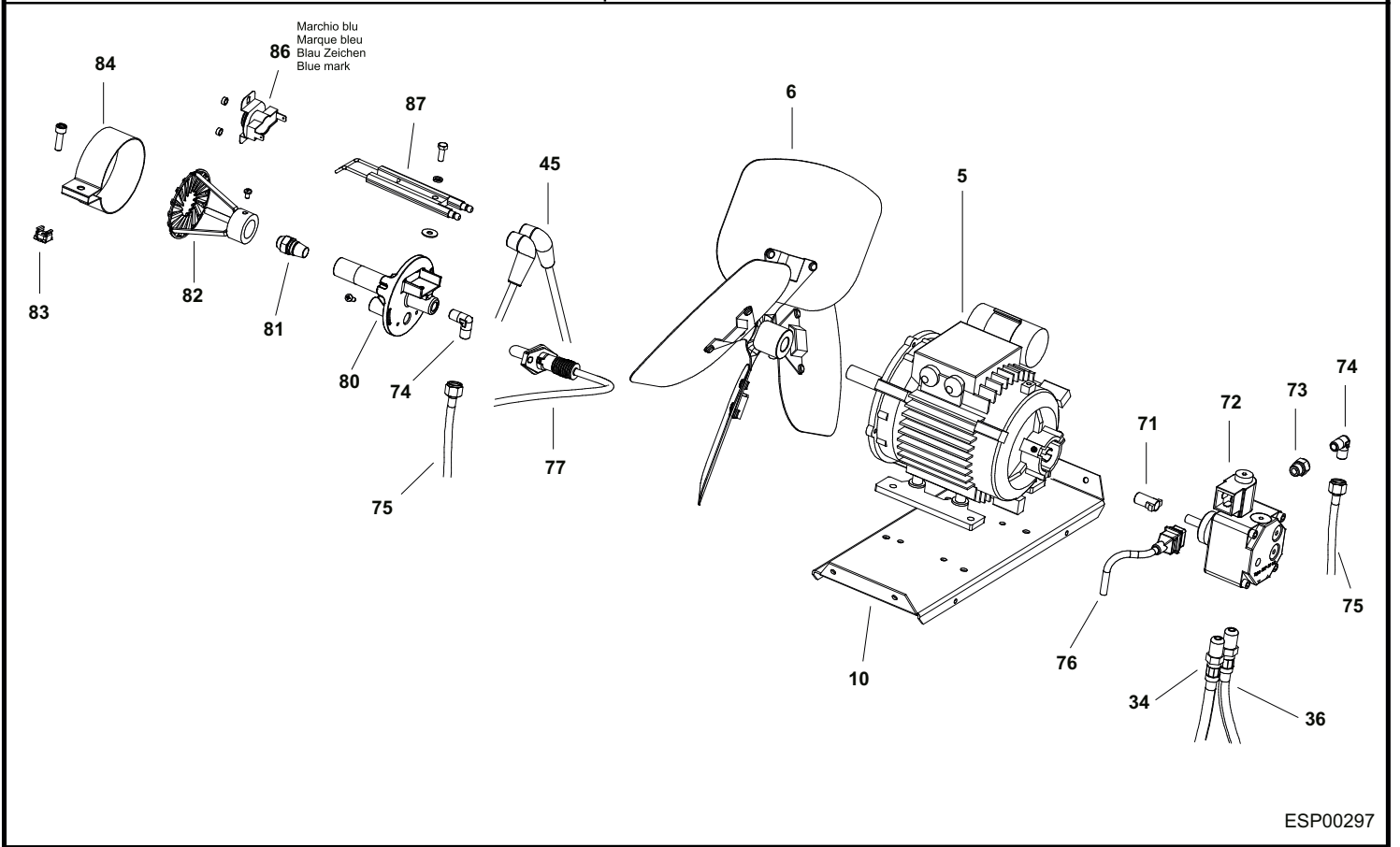
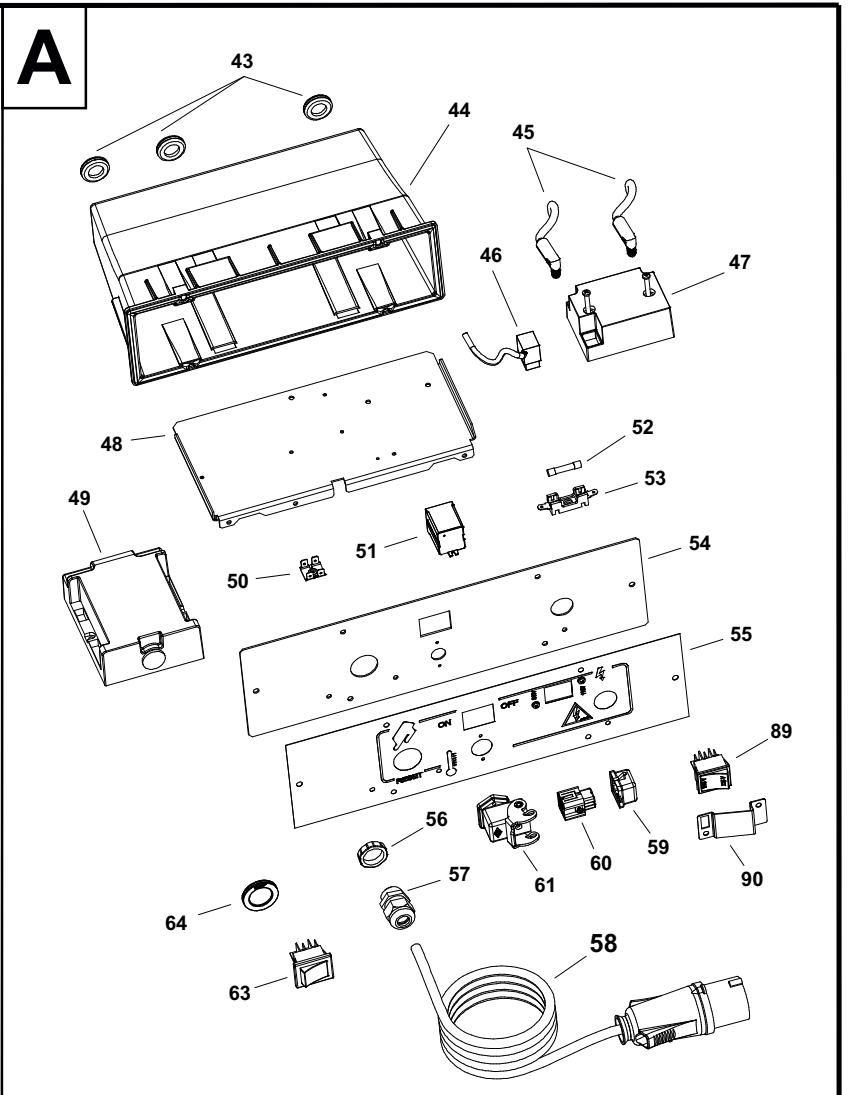
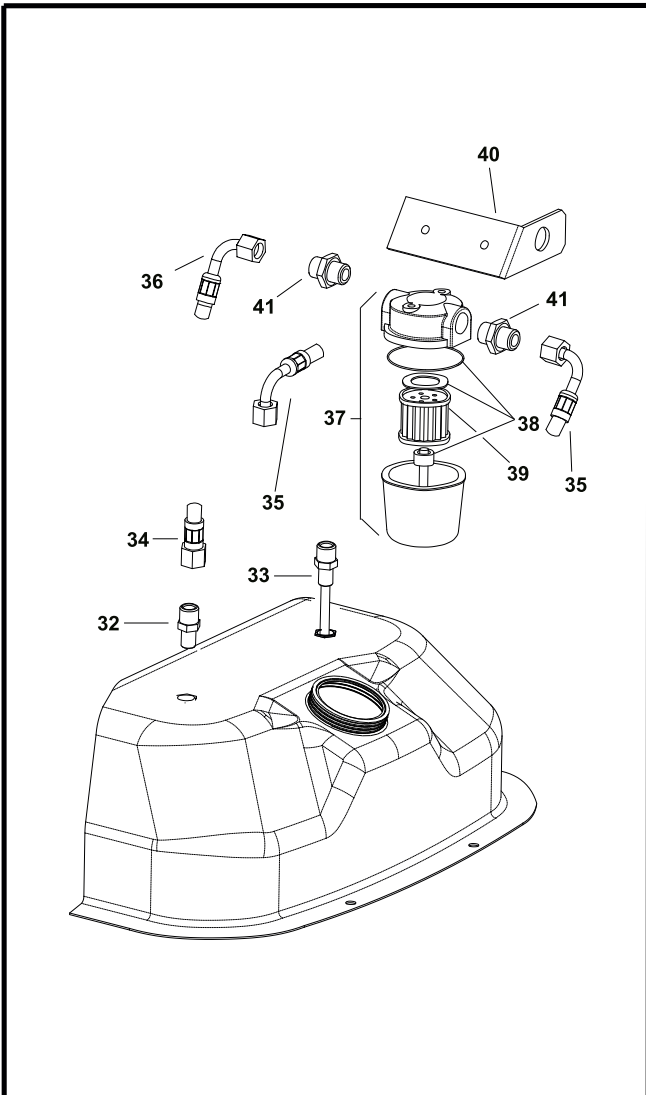
Rev.A - June 2014



MODEL BV170 E DV

UNIT 2

ILLUSTRATED PARTS BREAKDOWN



MODEL BV170 E DV

UNIT 3

PARTS LIST

POS.	Code NR	Description	Rev. A - June 2014
1	4032.546	UPPER BODY	
2	4032.548	UPPER BODY MOBILE	
3	4032.385	CHIMNEY	
4	4032.557	INLET GRILLE	
5	4032.371	MOTOR	
6	4033.030	FAN	
7	4032.554	AIR FLAP	
8	4104.170	CLIP NUT	
9	4111.056	PROTECTION CLABLE	
10	4032.555	MOTOR FLANGE	
12	4160.646	PROTECTION CLABLE	
13	4111.241	ELASTIC PLATE	
14	4032.568	HANDLE FRAME	
15	4260.100	TANK CAP	
16	4290.083	TANK FILTER	
17	4100.632	DRAIN PLUG	
18	4032.564	FOOT FRAME	
19	4111.057	PLUG	
20	4032.536	POWER CORD HOOK	
21	4032.094	WHEEL Ø 250	
22	4111.480	WHEEL PLUG	
23	4111.072	WHEEL HOLDER Ø 20	
24	4032.566	AXLE	
25	4033.242	FUEL TANK	
26	4032.558	ELECTR. COMPONENTS DRAWER PANEL	
27	4033.095	BASE	
28	4032.560	SIDE PANEL	
29	4032.550	LOWER BODY	
30	4033.188	COMBUSTION CHAMBER	
31	4031.659	OUTLET CONE	
32	4031.068	CONN. STRAIGHT 1/4"	
33	4031.067	PIPE CONNECTION 1/4"	
34	4031.062	FUEL PIPE PUMP-TANK	
35	4031.063	FUEL PIPE TANK-FILTER	
36	4031.061	FUEL PIPE FILTER-PUMP	
37	4033.090	FILTER CARTIDGE 3/8"	
38	4111.116	OR KIT FILTER	
39	4031.494	FILTER CARTIDGE	
40	4032.437	FILTER SUPPORT	
41	4031.064	DOUBLE SCREW	
43	4160.646	PROTECTION CABLE	
44	4033.257	PLASTIX BOX	
45	4110.490	HT CABLE	
46	4033.256	POWER CORD TRANSFORMATOR HT	
47	4031.541	TRANSFORMER HT	
48	4033.249	CONTROL BASE	
49	4033.330	CONTROL BOX	
50	4160.639	POP RIVET 4 WAY	
51	4111.032	RELAY	
52	4032.503	FUSE	
53	4033.301	FUSE HOLDER	
54	4100.137	FRONTAL CONTROLS PANEL	
55	4100.142	PANEL LABEL	
56	4100.656	LOCKNUT	
57	4150.528	STRAIN RELIEF BUSHING	

MODEL BV170 E DV

UNIT 4

PARTS LIST

POS.	Code NR	Description	Rev. A - June 2014
58	4100.125	POWER CORD UK YELLOW	
59	4162.467	THERMOSTAT CAP	
60	4161.400	CONNECTION PLUG	
61	4160.647	THERMOSTAT SOCKET 90°	
62	4260.105	FUEL GAUGE	
63	4165.204	ROCKER SWITCH	
64	4033.251	BOARD BUTTON CAP	
71	4111.081	COUPLING	
72	4111.042	PUMP	
73	4161.501	CONN. STRAIGHT 1/8"	
74	4033.198	ELBOW 1/8"	
75	4033.186	OIL SUPPLY PIPE	
76	4033.087	PUMP POWER CORD	
77	4033.246	PHOTOCELL	
80	4033.034	BURNER FLANGE	
81	4031.025	NOZZLE	
82	4033.071	TURBO DISC	
83	4032.454	M6 NUT	
84	4032.545	AIR REGULATION FLAP	
86	4031.047	LIMIT THERMOSTAT	
87	4111.826	ELECTRODE	
88	4100.134	AUTOTRANSFORMER	
89	4100.143	SWITCH DUAL VOLTAGE	
90	4100.140	BRACKET CHANGE TENSION	
91	4031.664	AUTOTRANSFORMER BRACKET	

RECOMMENDED SPARE PARTS

POS.	Code NR	Description	Rev. A - June 2014
5	4032.371	MOTOR	
38	4111.116	OR KIT FILTER	
39	4031.494	FILTER CARTIDGE	
45	4110.490	HT CABLE	
47	4031.541	TRANSFORMER HT	
49	4033.330	CONTROL BOX	
51	4031.514	RELAY	
52	4032.503	FUSE	
59	4162.467	THERMOSTAT CAP	
71	4111.081	COUPLING	
72	4111.042	PUMP	
76	4033.087	PUMP POWER CORD	
77	4033.246	PHOTOCELL	
81	4031.025	NOZZLE	
86	4031.047	LIMIT THERMOSTAT	
87	4111.826	ELECTRODE	



Recycling



ENVIRONMENTAL PROTECTION: Please recycle any unwanted materials as opposed to disposing them as general waste. It is recommended the original is retained and used to store the product when not in use for prolonged periods of time. If this is not applicable ensure the materials are sorted and recycled in accordance with local regulations.



SPECIFICATION CHANGE: It is our policy to continually improve products to ensure these meet the rigours of the industry we serve. Therefore, as such we reserve the right to alter specifications, data, components & parts with-out prior notice.

WARRANTY: Please refer to the manufactures terms & conditions.

IMPORTANT: No liability will be accepted for the incorrect use of this product.

KEEP THIS BOOKLET FOR FUTURE REFERENCE

📞 Nottingham: 0115 946 1988 • London: 0208 830 3333 ✉ Nottingham: sales@hscgroupuk.co.uk • London: sean@hscgroupuk.co.uk 🌐 www.hscgroupuk.co.uk

The Hire Supply Company Terms & Conditions Apply At All Time E&OE