



# PARTS DRAWING



**40cm Professional Fan  
– Battery Powered**

**Product Code:  
DFB16**



Serial Number Range:

From:

To:

Year Of Manufacture: 2021

**\*Please note, when ordering online via our website if the part number is not recognised, please Email [spares@hscgroupuk.co.uk](mailto:spares@hscgroupuk.co.uk) or Telephone 0115 946 1988**

**KEEP THIS BOOKLET FOR FUTURE REFERENCE**

Nottingham: 0115 946 1988 • London: 0208 830 3333 ✉ Nottingham: [sales@hscgroupuk.co.uk](mailto:sales@hscgroupuk.co.uk) • London: [sean@hscgroupuk.co.uk](mailto:sean@hscgroupuk.co.uk) 🌐 [www.hscgroupuk.co.uk](http://www.hscgroupuk.co.uk)

The Hire Supply Company Terms & Conditions Apply At All Time E&OE

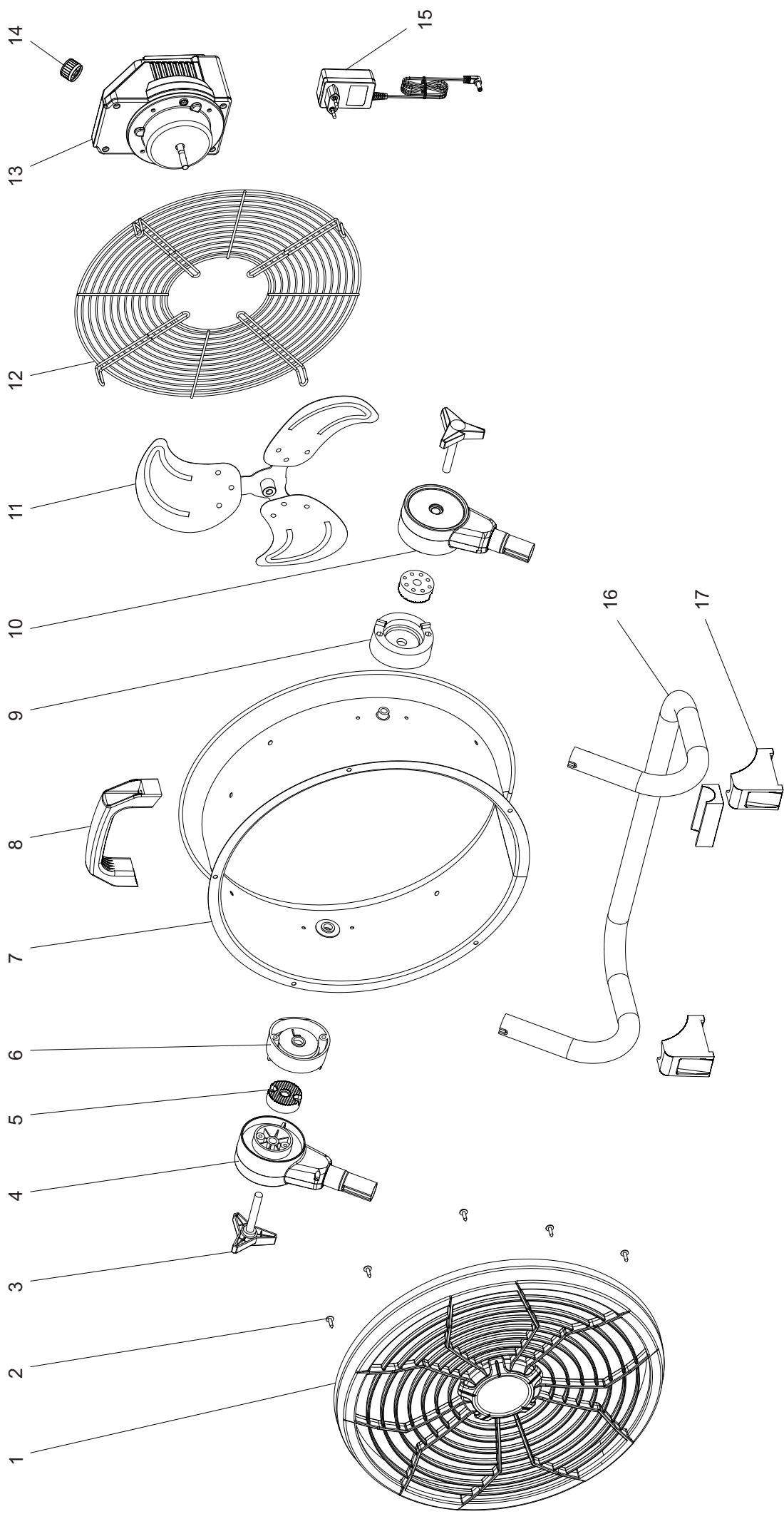
# MODEL DFB 16

## UNIT 1

## ILLUSTRATED PARTS BREAKDOWN

From Serial Number :

Rev. - - Sep. 2021



# MODEL DFB 16

UNIT 2

PARTS LIST

N°	CODE	DESCRIPTION
1	4141.780	FRONT GUARD
2	4141.781	FIXING SCREW FOR GUARD
3	4141.782	THUMB SCREW
4	4141.783	LEFT MOVABLE SUPPORT ASSEMBLY
5	4141.784	ANTI-SLIP GLUE
6	4141.785	LEFT FIXED SUPPORT
7	4141.786	DRUM BODY ASSEMBLY
8	4141.787	HANDLE
9	4141.788	RIGHT FIXED SUPPORT
10	4141.789	RIGHT MOVABLE SUPPORT ASSEMBLY
11	4141.790	FAN BLADE ASSEMBLY
12	4141.791	REAR GUARD
13	4141.792	MOTOR BOX ASSEMBLY
14	4141.793	SWITCH KNOB
15A	4141.794	POWER ADAPTER EU
15B	4141.797	POWER ADAPTER UK
16	4141.795	LOWER SUPPORT ASSEMBLY
17	4141.796	RUBBER FEET



## Recycling



**ENVIRONMENTAL PROTECTION:** Please recycle any unwanted materials as opposed to disposing them as general waste. It is recommended the original is retained and used to store the product when not in use for prolonged periods of time. If this is not applicable ensure the materials are sorted and recycled in accordance with local regulations.



**SPECIFICATION CHANGE:** It is our policy to continually improve products to ensure these meet the rigours of the industry we serve. Therefore, as such we reserve the right to alter specifications, data, components & parts with-out prior notice.

**WARRANTY:** Please refer to the manufactures terms & conditions.

**IMPORTANT:** No liability will be accepted for the incorrect use of this product.

### KEEP THIS BOOKLET FOR FUTURE REFERENCE

📞 Nottingham: 0115 946 1988 • London: 0208 830 3333    ✉ Nottingham: [sales@hscgroupuk.co.uk](mailto:sales@hscgroupuk.co.uk) • London: [sean@hscgroupuk.co.uk](mailto:sean@hscgroupuk.co.uk)    🌐 [www.hscgroupuk.co.uk](http://www.hscgroupuk.co.uk)

The Hire Supply Company Terms & Conditions Apply At All Time E&OE