



PARTS DRAWING

MCE MASTER
CLIMATE SOLUTIONS

**Master Dual Voltage
52ltr De Humidifier**

**Product Code:
DH62DV**



Serial Number Range:

From:

To:

Year Of Manufacture: 2013

***Please note, when ordering online via our website if the part number is not recognised,
please Email spares@hscgroupuk.co.uk or Telephone 0115 946 1988**

KEEP THIS BOOKLET FOR FUTURE REFERENCE

Nottingham: 0115 946 1988 • London: 0208 830 3333 ✉ Nottingham: sales@hscgroupuk.co.uk • London: sean@hscgroupuk.co.uk 🌐 www.hscgroupuk.co.uk

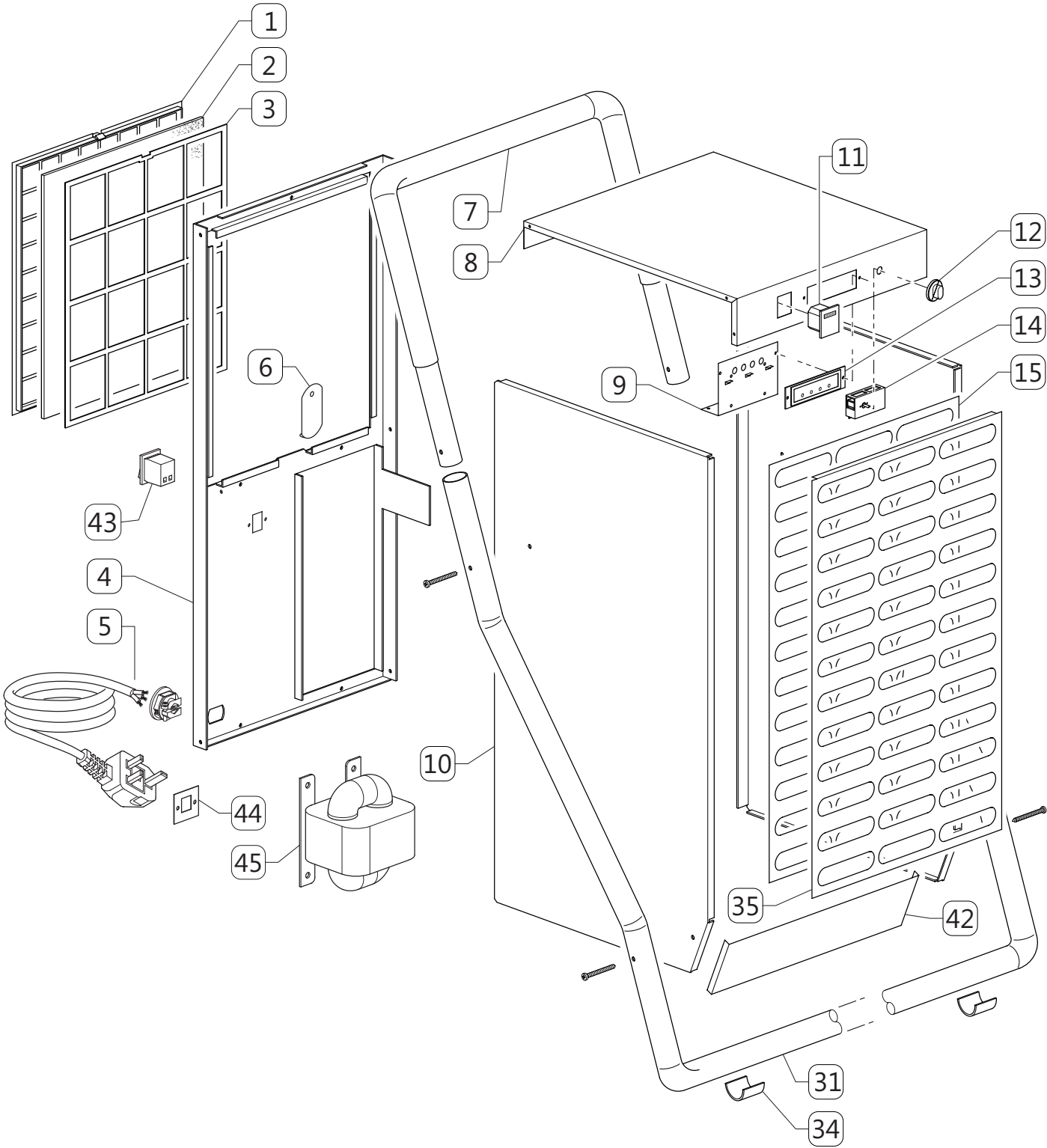
The Hire Supply Company Terms & Conditions Apply At All Time E&OE

DH 44 / DH 62 DV (DUAL VOLTAGE)

UNIT 1

ILLUSTRATED PARTS BREAKDOWN

Edizione 2013
Rev. A

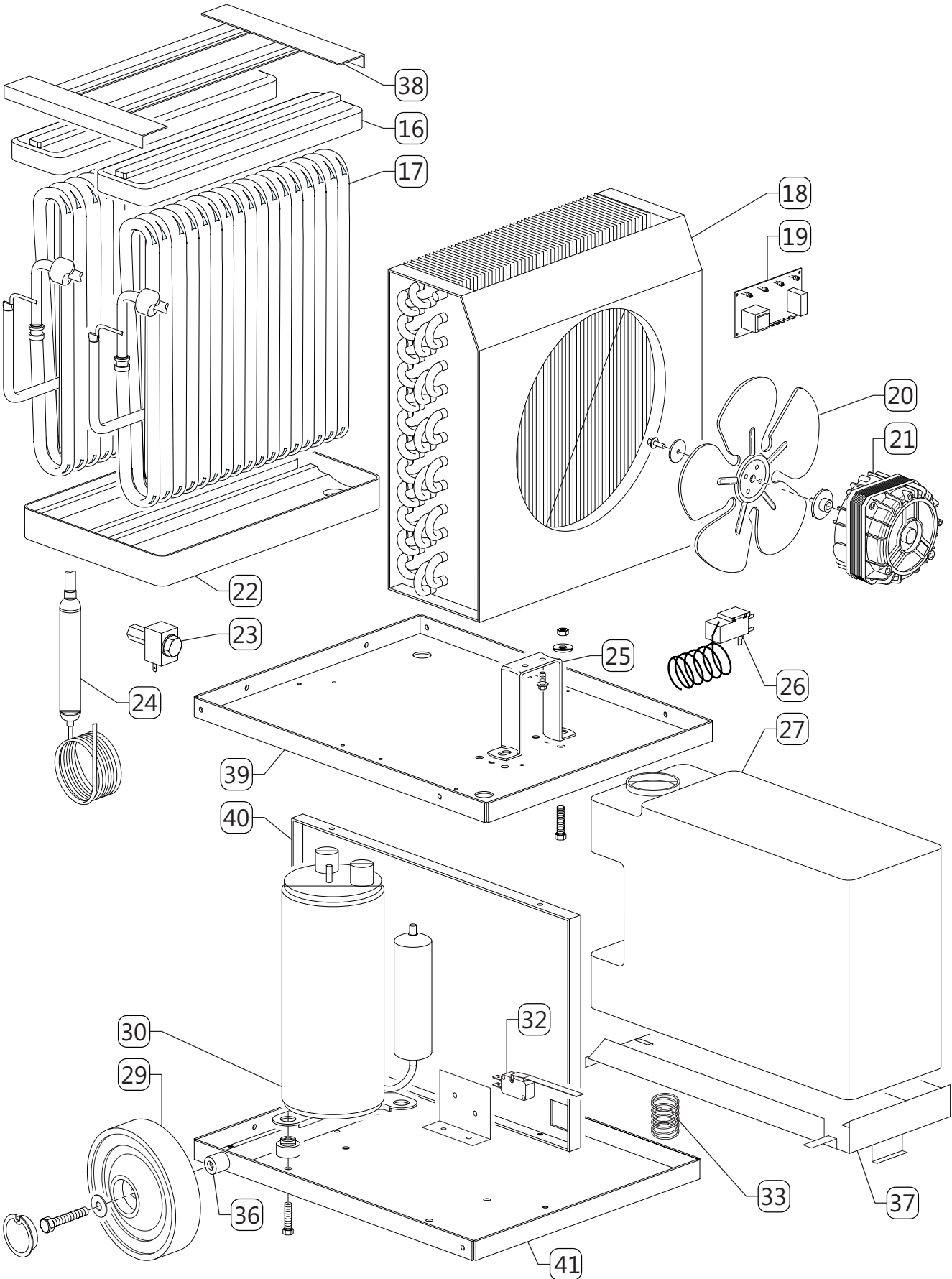


DH 44 / DH 62 DV (DUAL VOLTAGE)

UNIT 2

ILLUSTRATED PARTS BREAKDOWN

Edizione 2013
Rev. A



Pos.	DH 44	DH 62	Description
1+2+3	4140.259	4140.259	Air filter + lock and holder
4	4140.336	4140.336	Back panel
5	S/R	S/R	Powerd cord UK
6	S/R	S/R	Lock block
7	4140.262	4140.262	Handle
8	4515.942	4515.942	Cover
9	4140.206	4140.206	Support PCB
10	S/R	S/R	Side panel (left+right)
11	4140.158	4140.158	Hour counter
12	4140.204	4140.204	Knob
13	4140.205	4140.205	Control panel with silkscreen printing
14	4140.245	4140.245	Dehumidostat
15	4140.299	4140.299	Inside grille
16	4140.247	4140.247	Top tray
17	4140.246	4140.246	Evaporator
18	4140.248	4140.264	Condenser
19	4140.201	4140.201	Electronic card
20	4140.249	4140.249	Impeller
21	4140.250	4140.250	Motorfan
22	4140.202	4140.202	Lower condensate collecting tray
23	4140.261	4140.261	Solenoid valve
24	4140.254	4140.267	Refrigerant filter with capillary
25	4140.251	4140.251	Fan braket
26	4140.230	4140.230	Thermostat
27	4140.255	4140.255	Tank
29	4032.094	4032.094	Wheel
30	4140.252	4140.265	Compressor + compr. starting group
31	4140.340	4140.340	Pipe handle
32	4140.258	4140.258	Microswitch
33	4140.256	4140.256	Sprig
34	4140.234	4140.234	Foot
35	4140.295	4140.295	Outside grille
36	S/R	S/R	Wheel axle
37	4140.263	4140.263	Tank support
38	S/R	S/R	Support evaporator
39	S/R	S/R	Upper bottom
40	S/R	S/R	Vertical panel
41	S/R	S/R	Bottom panel
42	4140.335	4140.335	Lower front panel
43	4140.346	4140.346	Switch
44	4140.347	4140.347	Plate
45	4140.348	4140.348	Transformer

S/R = Parts available on special request only



Recycling



ENVIRONMENTAL PROTECTION: Please recycle any unwanted materials as opposed to disposing them as general waste. It is recommended the original is retained and used to store the product when not in use for prolonged periods of time. If this is not applicable ensure the materials are sorted and recycled in accordance with local regulations.



SPECIFICATION CHANGE: It is our policy to continually improve products to ensure these meet the rigours of the industry we serve. Therefore, as such we reserve the right to alter specifications, data, components & parts with-out prior notice.

WARRANTY: Please refer to the manufactures terms & conditions.

IMPORTANT: No liability will be accepted for the incorrect use of this product.

KEEP THIS BOOKLET FOR FUTURE REFERENCE

📞 Nottingham: 0115 946 1988 • London: 0208 830 3333 ✉ Nottingham: sales@hscgroupuk.co.uk • London: sean@hscgroupuk.co.uk 🌐 www.hscgroupuk.co.uk

The Hire Supply Company Terms & Conditions Apply At All Time E&OE