



PARTS DRAWING



**240v 20ltr
Dehumidifier**

**Product Code:
DH720240V**

Serial Number Range:

From:

To:

Year Of Manufacture: 2013

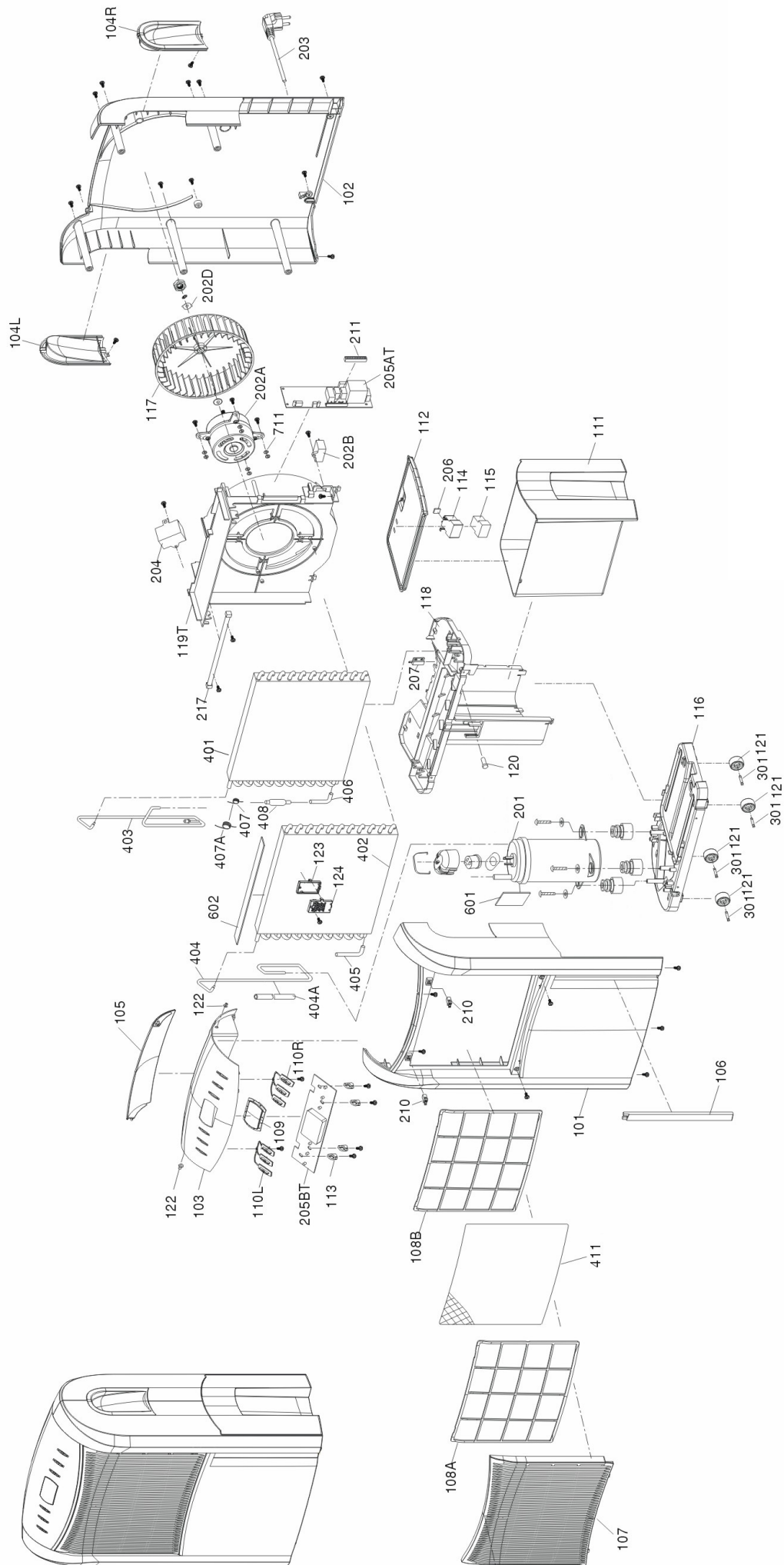


***Please note, when ordering online via our website if the part number is not recognised, please Email spares@hscgroupuk.co.uk or Telephone 0115 946 1988**

KEEP THIS BOOKLET FOR FUTURE REFERENCE

Nottingham: 0115 946 1988 • London: 0208 830 3333 ✉ Nottingham: sales@hscgroupuk.co.uk • London: sean@hscgroupuk.co.uk 🌐 www.hscgroupuk.co.uk

The Hire Supply Company Terms & Conditions Apply At All Time E&OE



Key no.	Description	q'ty	DH 720
101	Front Plate	1	4512.134
102	Rear Plate	1	4512.115
103	Control Panel For Electronic Type	1	4512.145
104L	Handle (Left)	1	4512.132
104R	Handle (Right)	1	4512.131
105	Wind Baffle	1	4512.102
106	Back-Light Slot	1	4512.155
107	Air Inlet Frame	1	4512.156
108A	Filter Frame	1	4512.139
108B	Fixer For Filter	1	4512.138
109	Lcd Monitor	1	4512.127
110L	Touch Button (Left)	1	4512.108
110R	Touch Button (Right)	1	4512.107
111	Water Tank	1	4512.105
112	Water Tank Cover	1	4512.104
113	Fixing Poster For Pcb	4	4512.137
114	Float	1	
115	Buoy	1	4512.136
116	Bottom Base	1	4512.152
117	Fan Blade	1	4512.140
118	Middle Spacer	1	4512.121
119T	Wind Funnel	1	4512.101
120	Rubber Stopper	1	4512.114
121	Casters	4	4512.147
122	Grommet For Air Vent	2	4512.133
123	Top Cover For Sensor	1	4512.109
124	Botom Cover For Sensor	1	4512.153
201	Compressor	1	S/R
202A	Motor	1	4512.120
202B	Motor Capacitor	1	4512.119
202D	Motor Washer	1	4512.118
203	Power Cord	1	4512.116
204	Capacitor For Compressor	1	4512.150
205AT	Main P.C. Board	1	4512.122
205BT	Lcd Display Board	1	4512.128
206	Magnet	1	4512.125
207	Magnetic Switch	1	4512.124
210	Locking Clip	2	4512.126
211	Terminal Socket	1	4512.111
217	Uv Light	1	4512.106
301	Castor Post	4	4512.146
401	Condenser	1	S/R
402	Evaporator	1	S/R
403	Discharging Tube	1	4512.144
404	Suction Tube	1	4512.112
404A	Thermal Sheath	1	4512.110
405	Inlet Tube For Evaporator	1	4512.130
406	Outlet Tube For Condensor	1	4512.117
407	Sheath For Capillary	1	4512.113
407A	Capillary	1	4512.149
408	Dryer	1	4512.142
411	Active Carbon Filter	1	4512.157
601	Foam For Accumulator	1	4512.135
602	Waterproof Foam For Evaporator	1	4512.103
711	Bakelite Washer	8	4512.154
Not shown	Humidity Sensor	1	4512.158

S/R = Parts available on special request only



Recycling



ENVIRONMENTAL PROTECTION: Please recycle any unwanted materials as opposed to disposing them as general waste. It is recommended the original is retained and used to store the product when not in use for prolonged periods of time. If this is not applicable ensure the materials are sorted and recycled in accordance with local regulations.



SPECIFICATION CHANGE: It is our policy to continually improve products to ensure these meet the rigours of the industry we serve. Therefore, as such we reserve the right to alter specifications, data, components & parts with-out prior notice.

WARRANTY: Please refer to the manufactures terms & conditions.

IMPORTANT: No liability will be accepted for the incorrect use of this product.

KEEP THIS BOOKLET FOR FUTURE REFERENCE

📞 Nottingham: 0115 946 1988 • London: 0208 830 3333 ✉ Nottingham: sales@hscgroupuk.co.uk • London: sean@hscgroupuk.co.uk 🌐 www.hscgroupuk.co.uk

The Hire Supply Company Terms & Conditions Apply At All Time E&OE