



PARTS DRAWING



**Elite 240v
Air Scrubber**

**Product Code:
EAS240**



Serial Number Range:

From:

To:

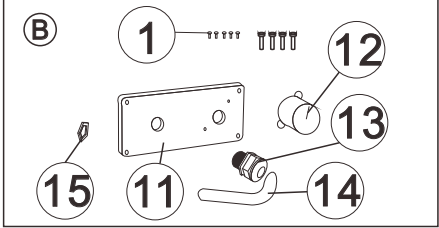
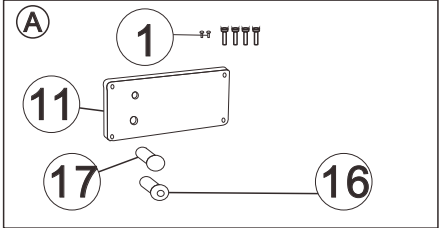
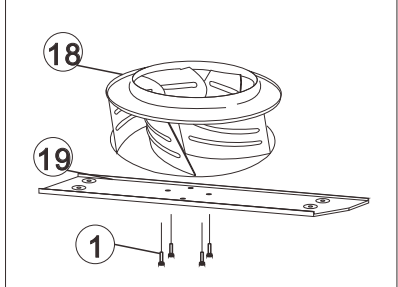
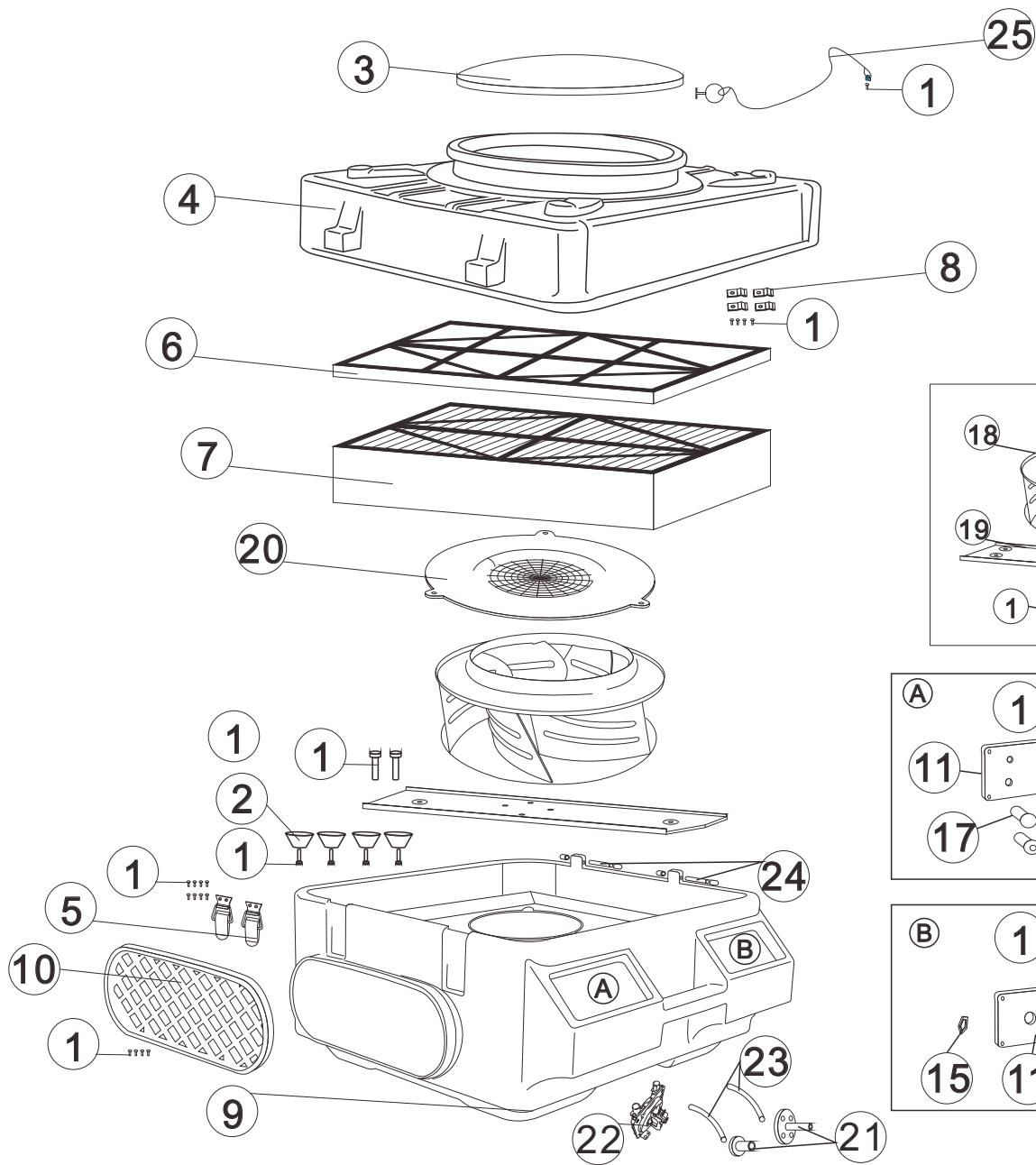
Year Of Manufacture:

***Please note, when ordering online via our website if the part number is not recognised, please Email spares@hscgroupuk.co.uk or Telephone 0115 946 1988**

KEEP THIS BOOKLET FOR FUTURE REFERENCE

Nottingham: 0115 946 1988 • London: 0208 830 3333 ✉ Nottingham: sales@hscgroupuk.co.uk • London: sean@hscgroupuk.co.uk 🌐 www.hscgroupuk.co.uk

The Hire Supply Company Terms & Conditions Apply At All Time E&OE



Item No	Part Number	Description	Item No	Part Number	Description
1	EAS.1	Multi Screw	16	EAS.16	Circuit Breaker
2	EAS.2	Rubber Foot	17	EAS.17	Filter Net Plug Alarm Lamp
3	EAS.3	Foam Cap	18	EAS240.18	240v Fan Motor And Blade
4	EAS.4	Upper Half Shell	18	EAS240.18CAP	240v Fan Motor Capacitor
5	EAS.5	Buckle	19	S/R	Fixed Plate
6	EASG4F	G4 Pre Filter	20	S/R	Air Inlet Plate
7	EASH13F	Hepa 13 Main Filter	21	EAS.21	Pipe Joint
8	EAS.8	Fixed Buckle	22	EAS.22	On/Off Mains Switch
9	EAS.9	Lower Half Shell	23	EAS.23	Pressure Probe
10	EAS.10	Air Outlet Grill	24	EAS.24	Loose Leaf Hinge
11	EAS.11	Switch / Alarm Lamp Panel	25	EAS.25	Cover Rope
12	EAS.12	On / Off Switch Knob			
13	EAS.13	Cable Gland		EASCF	Optional Extra - Carbon Filter
14	EAS240.14	240v Mains Cable			
15	EAS.15	Cable Gland Nut			



Recycling



ENVIRONMENTAL PROTECTION: Please recycle any unwanted materials as opposed to disposing them as general waste. It is recommended the original is retained and used to store the product when not in use for prolonged periods of time. If this is not applicable ensure the materials are sorted and recycled in accordance with local regulations.



SPECIFICATION CHANGE: It is our policy to continually improve products to ensure these meet the rigours of the industry we serve. Therefore, as such we reserve the right to alter specifications, data, components & parts with-out prior notice.

WARRANTY: Please refer to the manufactures terms & conditions.

IMPORTANT: No liability will be accepted for the incorrect use of this product.

KEEP THIS BOOKLET FOR FUTURE REFERENCE

📞 Nottingham: 0115 946 1988 • London: 0208 830 3333 ✉ Nottingham: sales@hscgroupuk.co.uk • London: sean@hscgroupuk.co.uk 🌐 www.hscgroupuk.co.uk

The Hire Supply Company Terms & Conditions Apply At All Time E&OE