



PARTS DRAWING

BARRETO

**9hp Hydraulic
Rear Tine Tiller**

**Product Code:
OOA900**



Serial Number Range:

From:

To:

Year Of Manufacture: 2007

***Please note, when ordering online via our website if the part number is not recognised,
please Email spares@hscgroupuk.co.uk or Telephone 0115 946 1988**

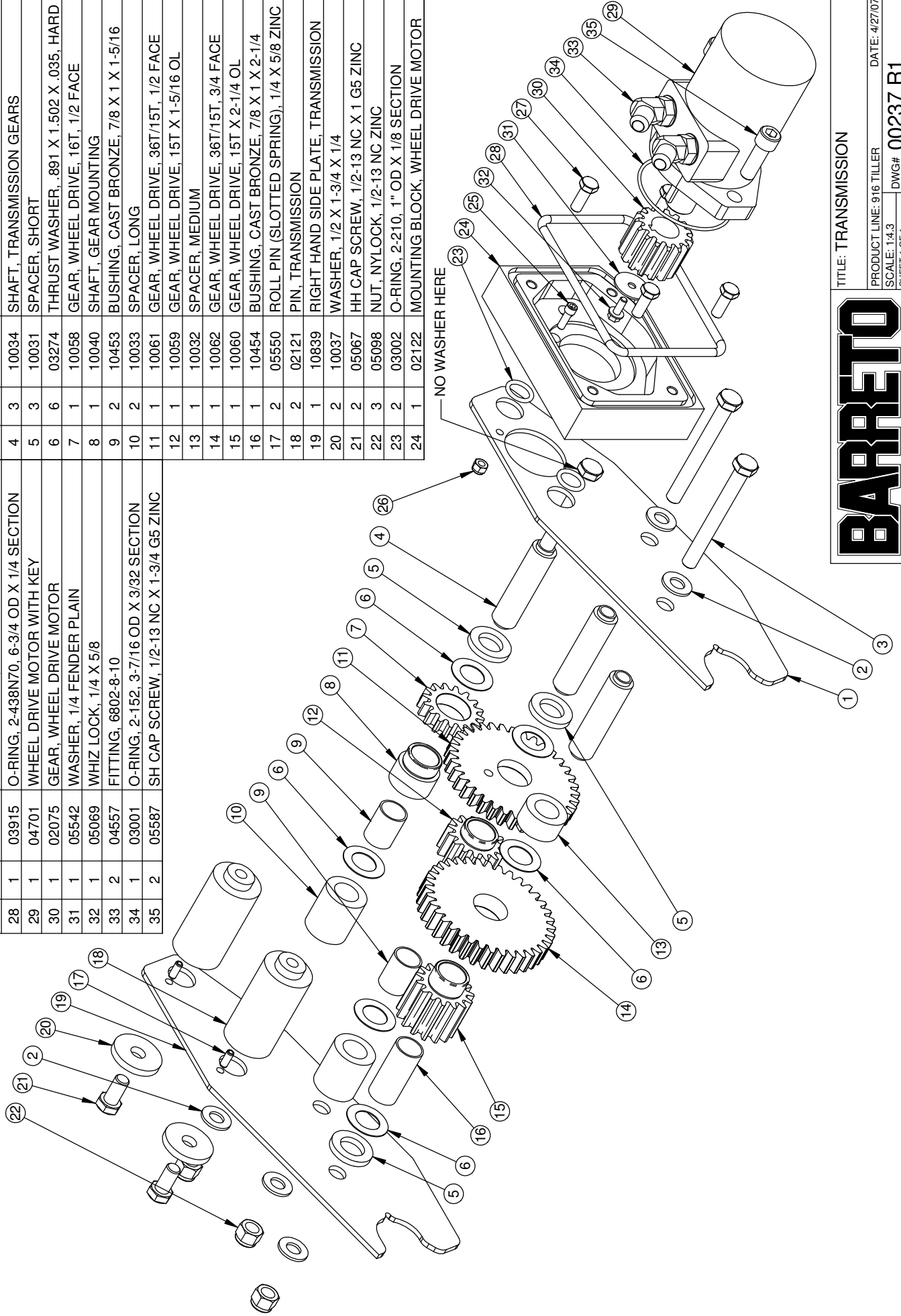
KEEP THIS BOOKLET FOR FUTURE REFERENCE

Nottingham: 0115 946 1988 • London: 0208 830 3333 ✉ Nottingham: sales@hscgroupuk.co.uk • London: sean@hscgroupuk.co.uk 🌐 www.hscgroupuk.co.uk

The Hire Supply Company Terms & Conditions Apply At All Time E&OE

REF. QTY.	PART NO.	DESCRIPTION
25	1	05331 SH CAP SCREW, 1/4-20 NC X 3/4 G5 PLAIN
26	1	05096 NUT, NYLOCK, 1/4-20 NC ZINC
27	4	05059 HH CAP SCREW, 3/8-16 NC X 1 G5 ZINC
28	1	03915 O-RING, 2-438N70, 6-3/4 OD X 1/4 SECTION
29	1	04701 WHEEL DRIVE MOTOR WITH KEY
30	1	02075 GEAR, WHEEL DRIVE MOTOR
31	1	05542 WASHER, 1/4 FENDER PLAIN
32	1	05069 WHIZ LOCK, 1/4 X 5/8
33	2	04557 FITTING, 6802-8-10
34	1	03001 O-RING, 2-152, 3-7/16 OD X 3/32 SECTION
35	2	05587 SH CAP SCREW, 1/2-13 NC X 1-3/4 G5 ZINC

REF. QTY.	PART NO.	DESCRIPTION
1	10840	LEFT HAND SIDE PLATE, TRANSMISSION
2	05102	WASHER, 1/2 SAE ZINC HARDENED
3	05094	HH CAP SCREW, 1/2-13 NC X 4-1/2 G5 ZINC
4	10034	SHAFT, TRANSMISSION GEARS
5	10031	SPACER, SHORT
6	03274	THRUST WASHER, .891 X 1.502 X .035, HARD
7	10058	GEAR, WHEEL DRIVE, 16T, 1/2 FACE
8	10040	SHAFT, GEAR MOUNTING
9	10453	BUSHING, CAST BRONZE, 7/8 X 1 X 1-5/16
10	10033	SPACER, LONG
11	10061	GEAR, WHEEL DRIVE, 36T/15T, 1/2 FACE
12	10059	GEAR, WHEEL DRIVE, 15T X 1-5/16 OL
13	10032	SPACER, MEDIUM
14	10062	GEAR, WHEEL DRIVE, 36T/15T, 3/4 FACE
15	10060	GEAR, WHEEL DRIVE, 15T X 2-1/4 OL
16	10454	BUSHING, CAST BRONZE, 7/8 X 1 X 2-1/4
17	05550	ROLL PIN (SLOTTED SPRING), 1/4 X 5/8 ZINC
18	02121	PIN, TRANSMISSION
19	10839	RIGHT HAND SIDE PLATE, TRANSMISSION
20	10037	WASHER, 1/2 X 1-3/4 X 1/4
21	05067	HH CAP SCREW, 1/2-13 NC X 1 G5 ZINC
22	05098	NUT, NYLOCK, 1/2-13 NC ZINC
23	03002	O-RING, 2-210, 1" OD X 1/8 SECTION
24	1	02122 MOUNTING BLOCK, WHEEL DRIVE MOTOR



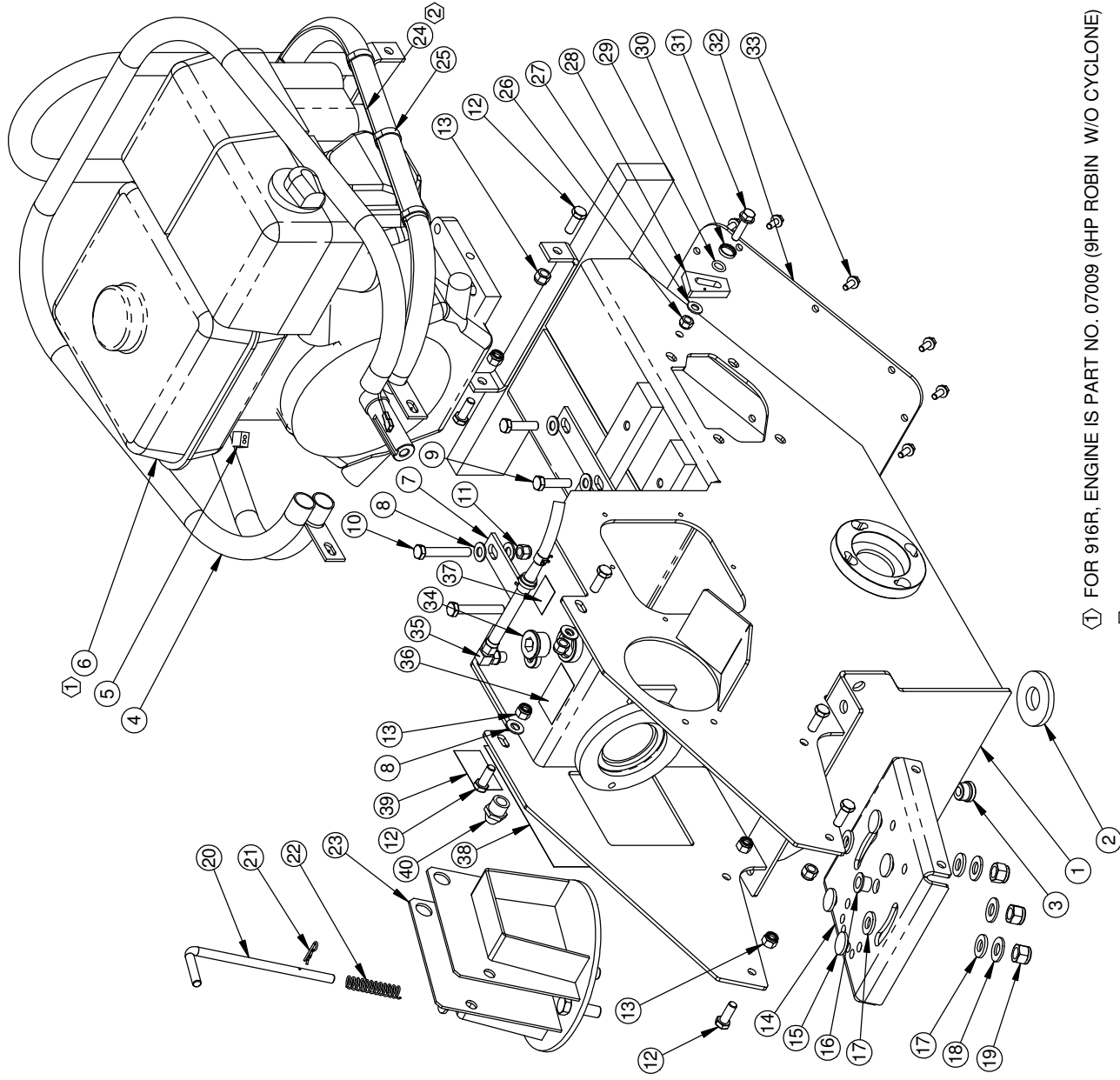
TITLE: TRANSMISSION

BARRETO

PRODUCT LINE: 916 TILLER DATE: 4/27/07

SCALE: 1:4.3 SHEET 1 OF 1 DWG# 00237 R1

REF. QTY.	PART NO.	DESCRIPTION
1	10701	916 & 918 BODY, BOLT ON TORQUE TUBE
2	03520	MAGNET
3	10361	FITTING, 6409-8 PLUG
4	10188	ENGINE GUARD, 916
5	03806	QUICK-SPLICE
6	07006	ENGINE, 9 HP HONDA GX270
7	11188	SPACER, 9 HP ENGINES
8	05101	WASHER, 3/8 SAE ZINC
9	05092	HH CAP SCREW, 3/8-16 NC X 1-1/2 G5 ZINC
10	05284	HH CAP SCREW, 3/8-16 NC X 2-1/2 G8 ZINC
11	05073	NUT, NYLOCK, 3/8-16 NC
12	05056	HH CAP SCREW, 3/8-24 NF X 1 G5 ZINC
13	05072	NUT, NYLOCK, 3/8-24 NF
14	10035	MOUNTING PLATE, HANDLE BAR
15	10064	BUSHING, NYLATRON, 1" OD SOLID
16	03501	BUSHING, IGUS MFI-0810-08
17	10469	THRUST WASHER, .500 X 1.000 X .125 NYLATRON
18	05102	WASHER, 1/2 SAE ZINC HARDENED
19	05098	NUT, NYLOCK, 1/2-13 NC
20	10068	PIN, HANDLE BAR
21	03065	HAIR SPRING COTTER #4
22	03080	SPRING
23	10036	HANDLE BAR BRACKET
24	10558	IGNITION WIRE, 916
25	03035	TIE WRAP, 1/8 X 6
26	05273	NUT, NYLOCK, 5/16-18 NC
27	05068	WASHER, 5/16 SAE ZINC
28	10555	WEDGE
29	03907	O-RING, 2-111, 5/8 OD X 3/32 SECTION
30	02526	HOUSING, 2-111 O-RING & FLANGE SCREW
31	05138	HH FLANGE SCREW, 5/16-18 NC X 1-1/4 G8 ZINC
32	10056	ACCESS PLATE
33	05069	WHIZ LOCK, 1/4-20 UNC X 5/8
34	10526	FITTING, 6409-12 PLUG
35	10189 R2	BREATHER HOSE ASSEMBLY
36	03040-06	DECAL, "HYDRAULIC OIL ONLY"
37	03040-16	DECAL, "CE"
38	03040-11	DECAL, "BARRETO", 2-3/16 X 7-3/8
39	03040-57	DECAL, "HYDRAULIC OIL LEVEL"
40	03503	SIGHT GAUGE



- ① FOR 916R, ENGINE IS PART NO. 07009 (9HP ROBIN W/O CYCLONE)
 ② FOR 916R, USE PART NO. 10634 (IGNITION WIRE, 916R)

BARRETO

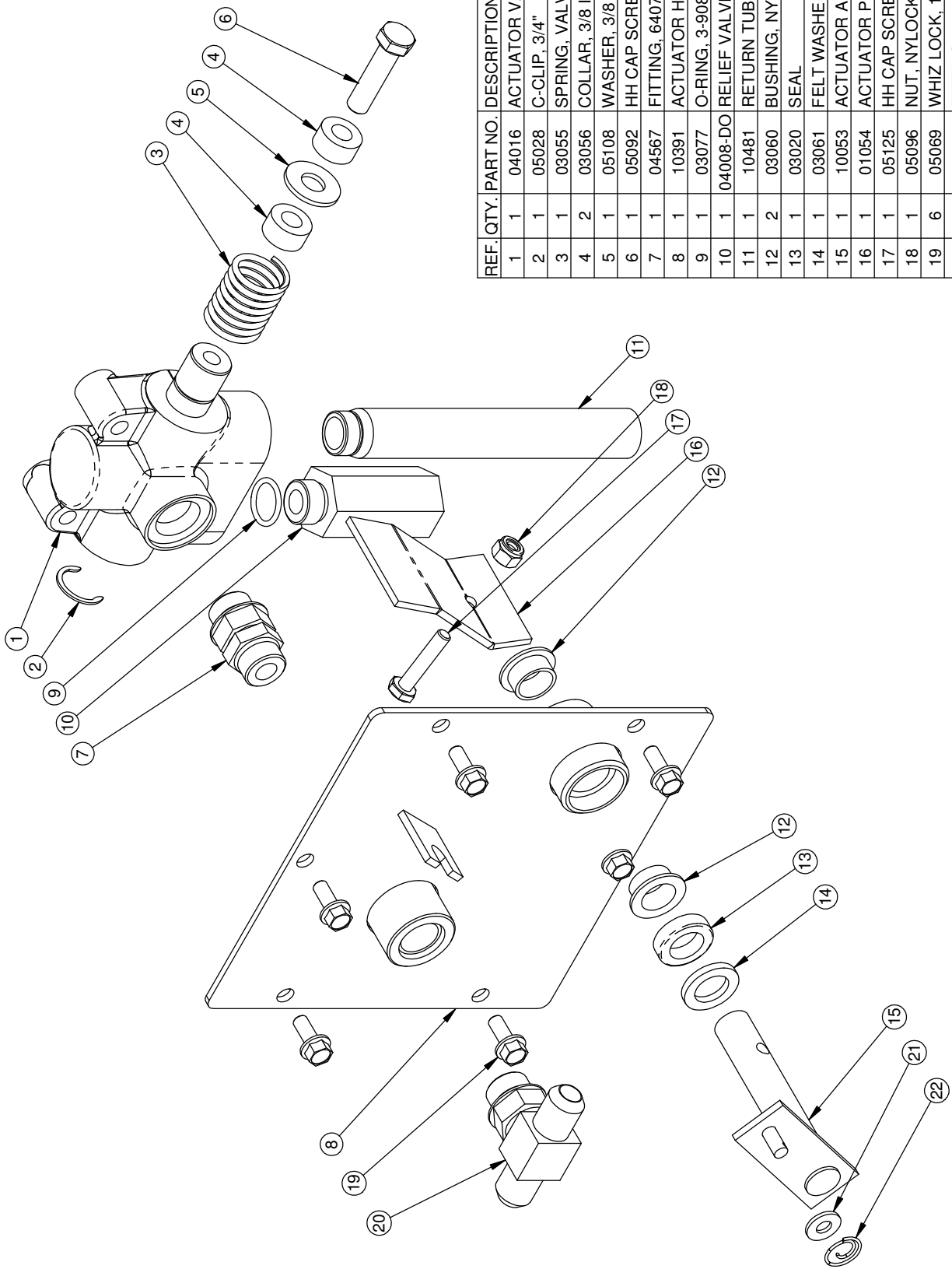
TITLE: BODY,
BOLT ON TORQUE TUBE

PRODUCT LINE: 916/18 DATE: 12/4/06

SCALE: 1:7.2

SHEET 1 OF 1

DWG# 00238 R4



REF. QTY.	PART NO.	DESCRIPTION
1	04016	ACTUATOR VALVE, O-RING PORTS
2	05028	C-CLIP, 3/4"
3	03055	SPRING, VALVE SPOOL RETURN
4	03056	COLLAR, 3/8 ID
5	05108	WASHER, 3/8 USS, ZINC
6	05092	HH CAP SCREW, 3/8-16 NC X 1-1/2 G5 ZINC
7	04567	FITTING, 6407-8-8
8	10391	ACTUATOR HOUSING PLATE
9	03077	O-RING, 3-908, -8 FITTINGS
10	04008-DO	RELIEF VALVE, 2750 POUND, O-RING
11	10481	RETURN TUBE, #8 O-RING
12	03060	BUSHING, NYLON, IGUS MFI-1012-06
13	03020	SEAL
14	03061	FELT WASHER, 5/8 X 1 X 1/8
15	10053	ACTUATOR ARM
16	01054	ACTUATOR PLATE
17	05125	HH CAP SCREW 1/4-20 NC X 1-1/4 G5 ZINC
18	05096	NUT, NYLOCK, 1/4-20 NC
19	05069	WHIZ LOCK, 1/4-20 UNC X 5/8
20	04017	FITTING, 6803-8-8-8
21	05081	WASHER, 1/4 SAE ZINC
22	05039	CIRCLE COTTER CC-3

BARRETO

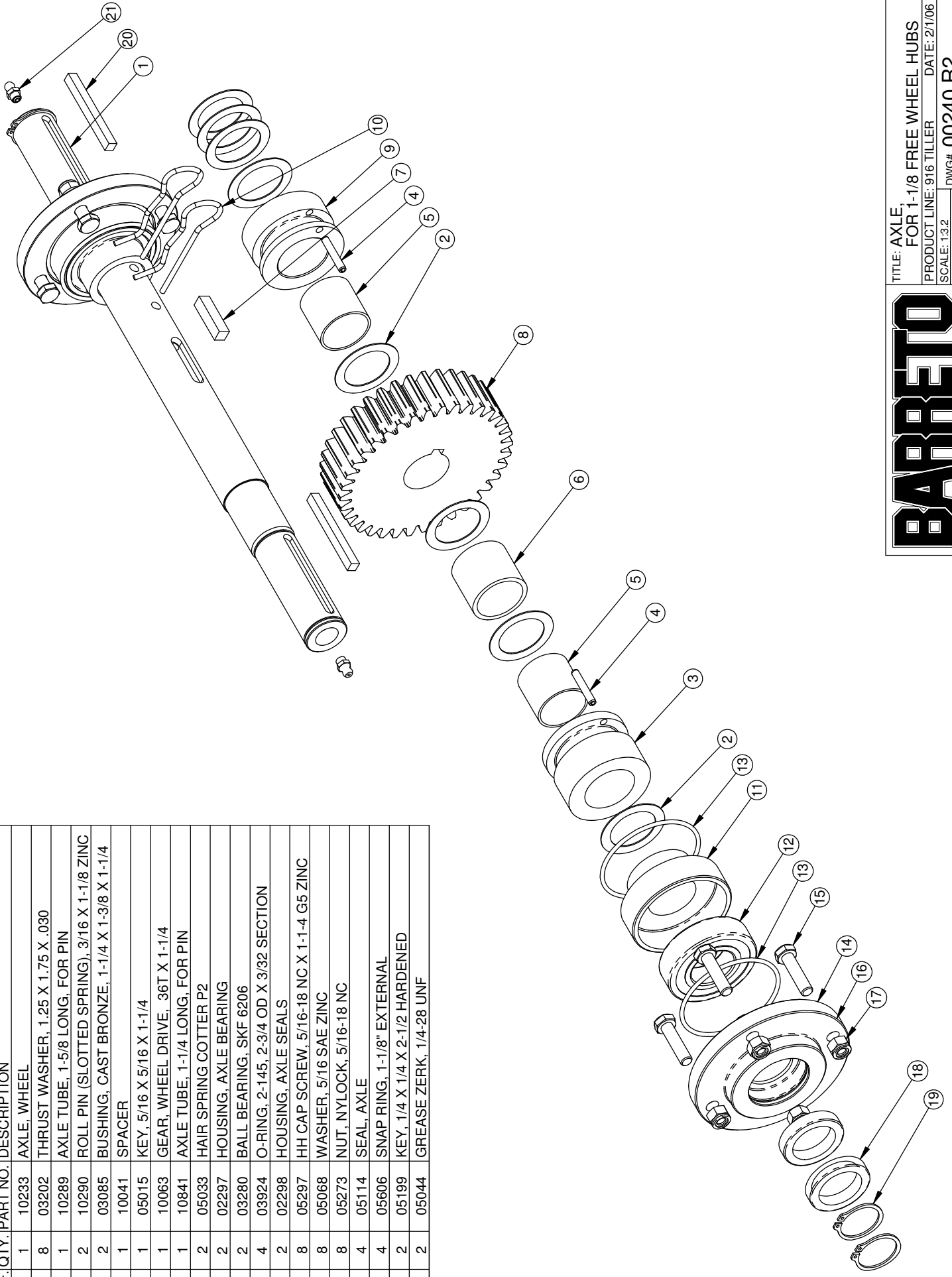
TITLE: ACTUATOR VALVE

PRODUCT LINE: 916 TILLER DATE: 3/31/06

SCALE: 1:2.5 DWG# 00239 R3

SHEET 1 OF 1

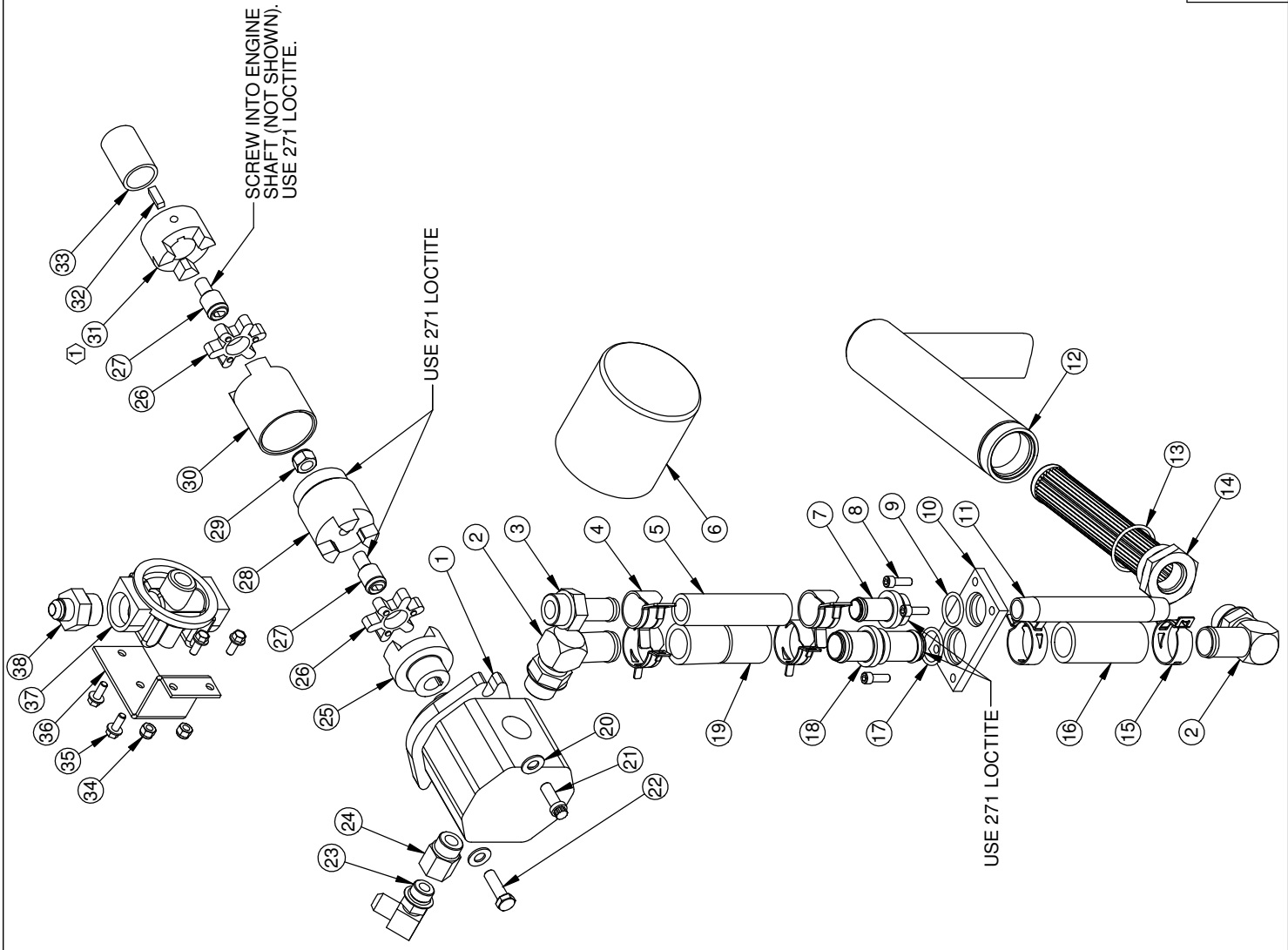
REF. QTY.	PART NO.	DESCRIPTION
1	10233	AXLE, WHEEL
2	03202	THRUST WASHER, 1.25 X 1.75 X .030
3	10289	AXLE TUBE, 1-5/8 LONG, FOR PIN
4	10290	ROLL PIN (SLOTTED SPRING), 3/16 X 1-1/8 ZINC
5	03085	BUSHING, CAST BRONZE, 1-1/4 X 1-3/8 X 1-1/4
6	10041	SPACER
7	05015	KEY, 5/16 X 5/16 X 1-1/4
8	10063	GEAR, WHEEL DRIVE, .36T X 1-1/4
9	10841	AXLE TUBE, 1-1/4 LONG, FOR PIN
10	05033	HAIR SPRING COTTER P2
11	02297	HOUSING, AXLE BEARING
12	03280	BALL BEARING, SKF 6206
13	03924	O-RING, 2-145, 2-3/4 OD X 3/32 SECTION
14	02298	HOUSING, AXLE SEALS
15	05297	HH CAP SCREW, 5/16-18 NC X 1-1-4 G5 ZINC
16	05068	WASHER, 5/16 SAE ZINC
17	05273	NUT, NYLOCK, 5/16-18 NC
18	05114	SEAL, AXLE
19	05606	SNAP RING, 1-1/8" EXTERNAL
20	05199	KEY, 1/4 X 1/4 X 2-1/2 HARDENED
21	05044	GREASE ZERK, 1/4-28 UNF



BARRETO

TITLE: AXLE,
FOR 1-1/8 FREE WHEEL HUBS
PRODUCT LINE: 916 TILLER DATE: 2/1/06
SCALE: 1:3.2
SHEET 1 OF 1 DWG# 00240 R2

REF.	QTY.	PART NO.	DESCRIPTION
1	1	04004-A	PUMP, HYDRAULIC
2	2	04530	FITTING, 4601-16-12
3	1	04219	FITTING, 4604-12-12
4	2	05008	CLAMP, 1" HOSE, CTB-29
5	1	10796	HOSE, RETURN TO TANK
6	1	03951	FILTER, HYDRAULIC OIL, WITH BY-PASS
7	1	10853	FITTING, 3/4 HOSE BIB, 1/2 NPT
8	4	05611	SH CAP SCREW, 1/4-20 NC X 3/4 G5 ZINC
9	1	03075	O-RING, 3-912, -12 FITTINGS
10	1	10851	MOUNTING PLATE, HOSE BIB FITTINGS
11	1	01020	PIPE NIPPLE, 1/2 X 6, SCH 40
12	1	10860	SUCTION TUBE, #20 O-RING
13	1	03293	O-RING, 3-920N90, -20 FITTINGS
14	1	10247	SUMP SCREEN #20 EXT #12 INT O-RING
15	4	05225	CLAMP, 1-1/2" HOSE, CTB-35 ST
16	1	10184	HOSE, SUMP SCREEN
17	1	10855	O-RING, 3-914, -14 FITTINGS
18	1	10852	FITTING, 1" HOSE BIBS
19	1	10854	HOSE, PUMP INTAKE
20	2	05101	WASHER, 3/8 SAE ZINC
21	1	05119	12 POINT HEAD SCREW, 3/8-16 NC X 1
22	1	05091	HH CAP SCREW, 3/8-16 NC X 1-1/4 G5 ZINC
23	1	04554	FITTING, 6801-8-8
24	1	04209	FITTING, 6410-10-8
25	1	10747	JAW COUPLER, PUMP, 5/8 BORE
26	2	03022	SPIDER, RUBBER
27	2	10738	PILOT
28	1	10737	COUPLER SHAFT, PUMP SIDE
29	1	05077	NUT, NYLOCK, 7/16-20 NF
30	1	10739	COUPLER SHAFT, ENGINE SIDE
31	1	03023	JAW COUPLER, 1" BORE ML095
32	1	05014	KEY, 1/4 X 1/4 X 3/4
33	1	10180	SPACER, ENGINE SHAFT
34	2	05096	NUT, NYLOCK, 1/4-20 NC
35	4	05069	WHIZ LOCK, 1/4-20 UNC X 5/8
36	1	10798	BRACKET, FILTERHEAD
37	1	04403	FILTER HEAD, #12 O-RING
38	1	10808	FITTING, 6400-8-12

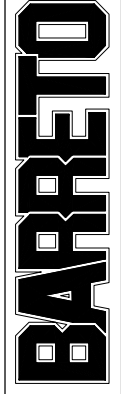


NOTES:

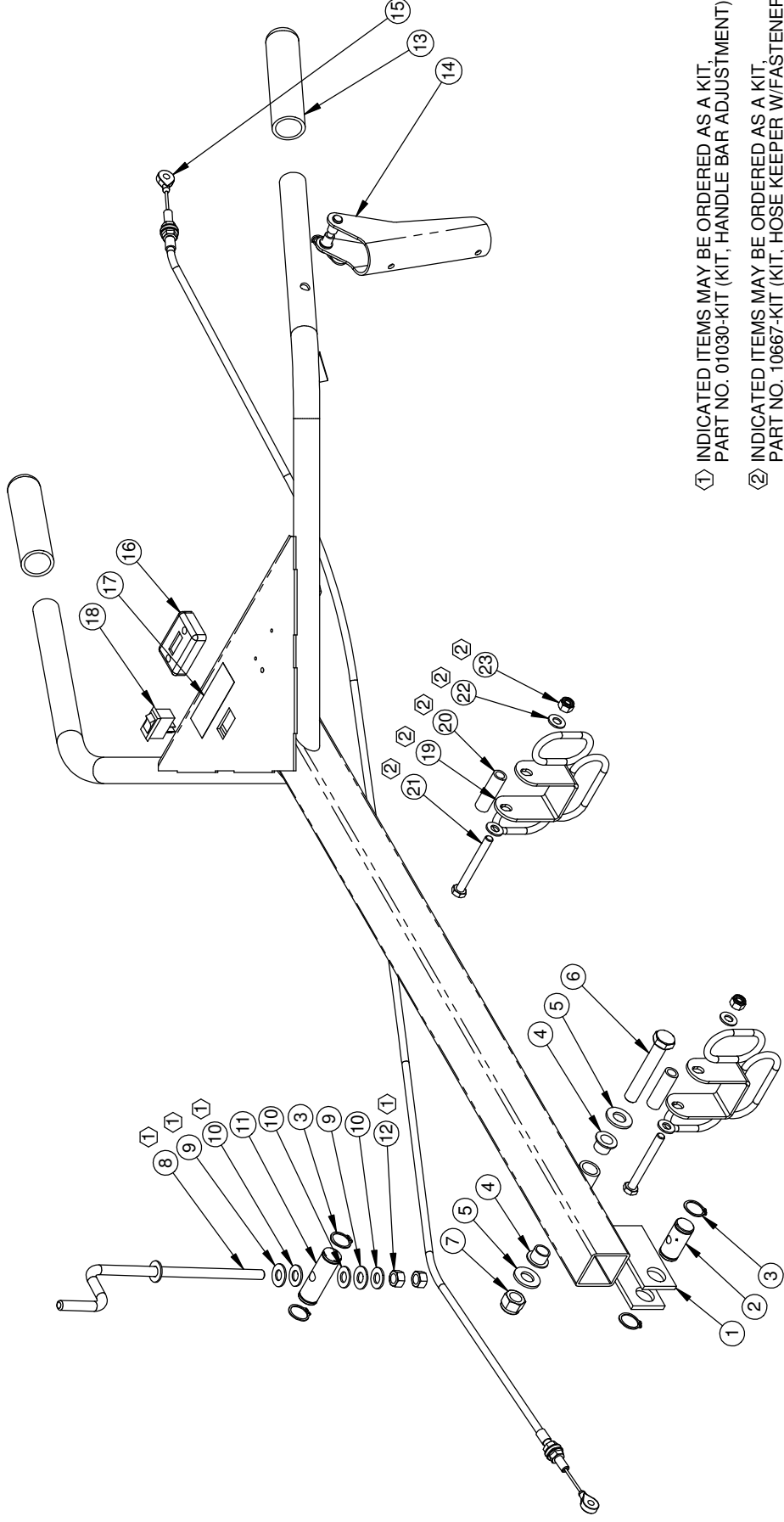
- ① COMES WITH SET SCREW. REPLACEMENT SET SCREW IS 5/16 X 5/16, PART NO. 05127.

TITLE: PUMP

PRODUCT LINE: 916	DATE: 2/15/06
SCALE: 1:5.6	DWG# 00241 R3
SHEET 1 OF 1	



REF. QTY.	PART NO.	DESCRIPTION	REF. QTY.	PART NO.	DESCRIPTION
1	01017	HANDLE BARS	13	03032-01	GRIP, 1 X 5 (P/N 03032 IS A PAIR)
2	02027-L	HANDLE BAR ADJUSTER PIN, LOWER	14	03029	LEVER ASSEMBLY (COMPLETE)
3	05216	SNAP RING, 3/4 EXTERNAL	15	10057	CABLE, ACTUATOR
4	03501	BUSHING, IGUS MFI-0810-08	16	03009	HOSE KEEPER
5	05102	WASHER, 1/2 SAE ZINC HARDENED	17	03341-07	DECAL, "IGNITION OFF/ON"
6	05093	HH CAP SCREW, 1/2-13 NC X 3 G5 ZINC	18	06420	ROCKER SWITCH, IGNITION OFF/ON
7	05098	NUT, NYLOCK, 1/2-13 NC	19	10667	HOSE KEEPER
8	01030	CRANK, HANDLE BAR ADJUSTMENT	20	10688	SPACER, HOSE KEEPER
9	05058	WASHER, 3/8 NYLON	21	05065	HH CAP SCREW, 5/16-18 NC X 2-3/4 G5 ZINC
10	05103	WASHER, 3/8 A325 HARDENED ZINC	22	05068	WASHER, 5/16 SAE ZINC
11	02027-U	PIN, HANDLE BAR ADJUSTMENT, UPPER	23	05273	NUT, NYLOCK, 5/16-18 NC
12	05269	NUT, 3/8-16 NC GRB ZINC			



① INDICATED ITEMS MAY BE ORDERED AS A KIT.
PART NO. 01030-KIT (KIT, HANDLE BAR ADJUSTMENT).

② INDICATED ITEMS MAY BE ORDERED AS A KIT.
PART NO. 10667-KIT (KIT, HOSE KEEPER W/FASTENERS).

BARRETO

TITLE: HANDLE BARS & CRANK

PRODUCT LINE: 916

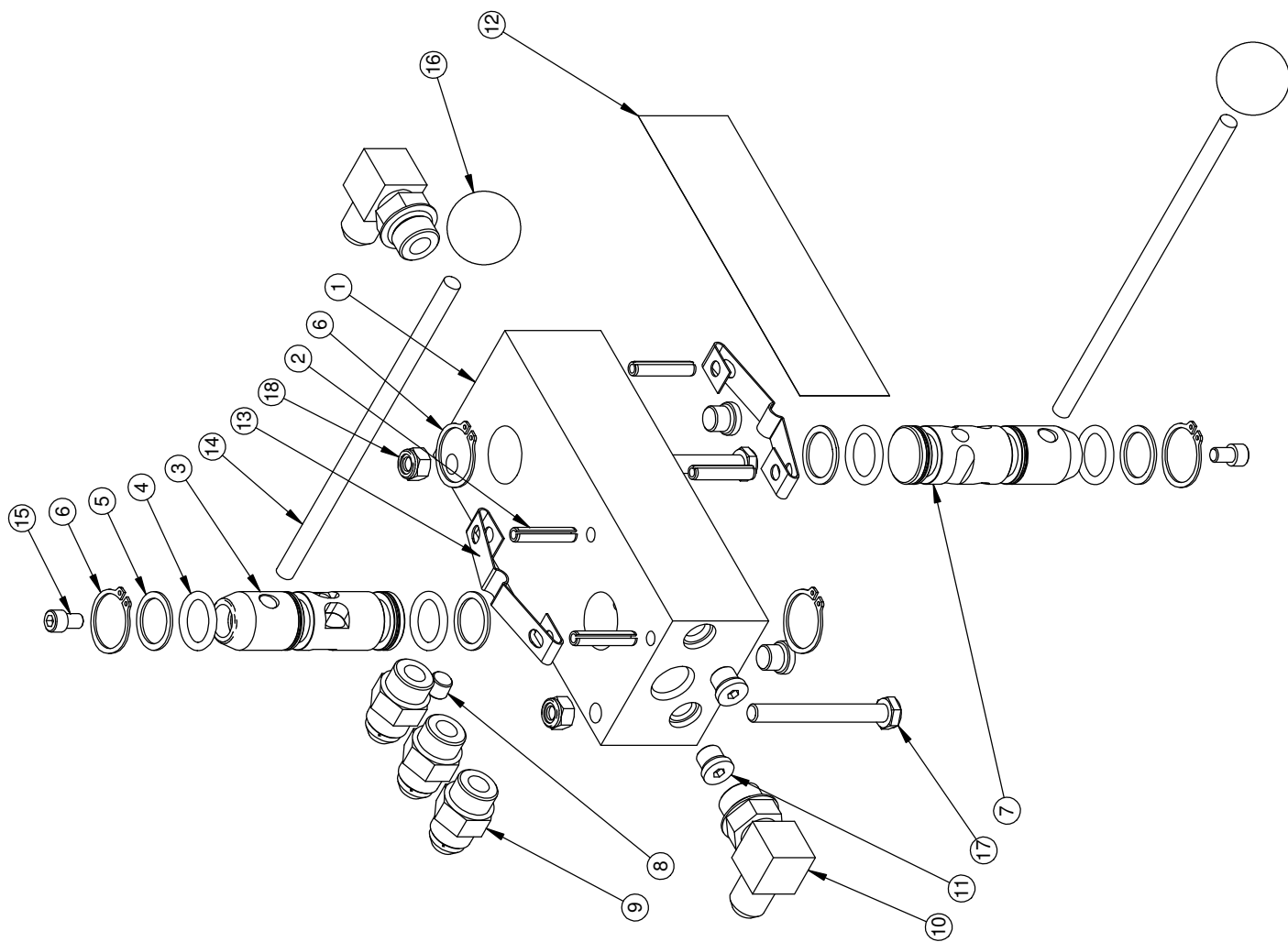
1/16/07

SCALE: 1:6.2

SHEET 1 OF 1

DWG# 00250 R1

REF.	QTY.	PART NO.	DESCRIPTION
1	1	04010	CONTROL VALVE BODY (ORDER 04010-K)
2	4	05200	ROLL PIN (SLOTTED SPRING), 1/4 X 1-1/4 ZINC
3	1	04015-D	VALVE SPOOL, TINES (ORDER 04010-K)
4	4	03002	O-RING, 2-210, 1" OD X 1/8 SECTION
5	4	03025	BACK-UP RING, 1" TEFLON
6	4	05010	SNAP RING, 1" EXTERNAL
7	1	04015-C	VALVE SPOOL, WHEEL DRIVE (ORDER 04010-K)
8	1	05023	PIPE PLUG, 1/8"
9	3	04520	FITTING, 6400-8-8
10	2	04554	FITTING, 6801-8-8
11	4	03300	FITTING, 6409-4 PLUG
12	1	03040	DECAL, CONTROL VALVE
13	2	03027	DETENT SPRING
14	2	02017	HANDLE, 5/16 X 7
15	2	05573	SH CAP SCREW, 1/4-20 NC X 3/8 ZINC
16	2	03026	KNOB, 5/16-NC
17	2	05065	HH CAP SCREW, 5/16-18 NC X 2-3/4 G5 ZINC
18	2	05273	NUT, NYLOCK, 5/16-18 NC ZINC



BARRETO

TITLE: CONTROL VALVE

PRODUCT LINE: 916 DATE: 4/26/07

SCALE: 1:3

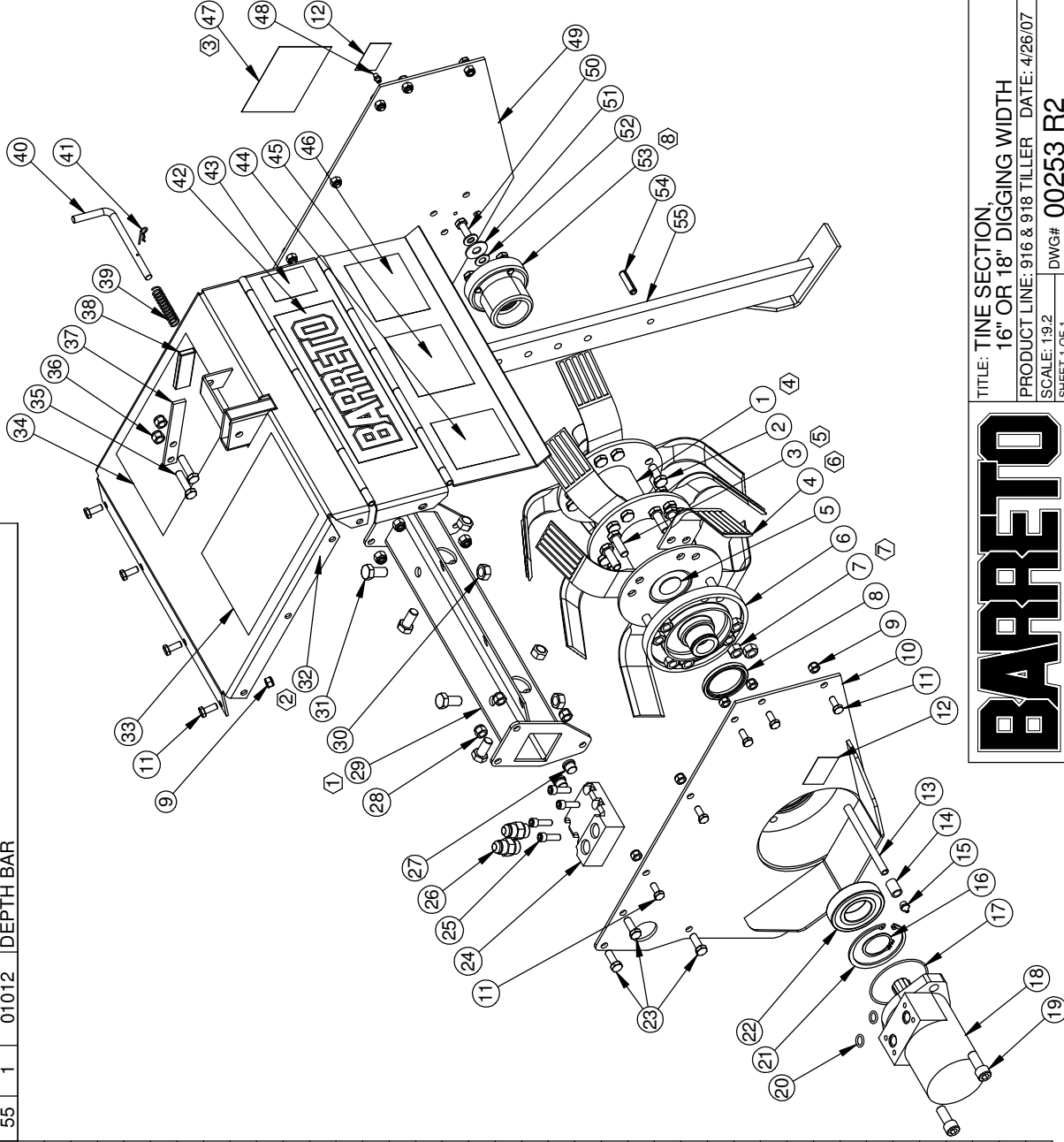
DWG# 00251 R1

SHEET 1 OF 1

REF. QTY.	PART NO.	DESCRIPTION	REF. QTY.	PART NO.	DESCRIPTION
48	1	05044	GREASE ZERK, 1/4-28 UNF		
49	1	10146	SIDE PLATE, RH TINE SECTION		
50	1	05059	HH CAP SCREW, 3/8-16 NC X 1 G5 ZINC		
51	1	05083	WASHER, 7/16 USS ZINC		
52	2	05103	WASHER, 3/8 A325 HARDENED ZINC		
53	1	10144	OUTBOARD BEARING ASSEMBLY		
54	1	05006	ROLL PIN (SLOTTED SPRING), 3/8 X 1-1/2 ZINC		
55	1	01012	DEPTH BAR		

1	1	11279	TINE SHAFT
2	16	05061	HH CAP SCREW, 7/16-20 NF X 1 G8 ZINC
3	8	05063	HH CAP SCREW, 7/16-20 NF X 1-1/4 G8 ZINC
4	12	03196	TINE, REVERSIBLE
5	1	03928	SOFT PLUG, 1-1/4 D/A
6	1	11278	TINE MOTOR HUB, SPLINED
7	24	05074	NUT, 7/16-20 NF G8 ZINC
8	1	03930	SEAL, CR 19763
9	14	05071	NUT, NYLOCK, 5/16-24 NF ZINC
10	1	01067	TINE MOTOR MOUNT & LH SIDE PLATE
11	14	05052	HH CAP SCREW, 5/16-24 NF X 3/4 G5 ZINC
12	2	03040-04	DECAL, "GREASE DAILY"
13	1	05282	PIPE NIPPLE, 1/8" X 5 LONG
14	1	05204	PIPE COUPLER, 1/8"
15	1	05256	GREASE ZERK, 1/8 NPT
16	1	05607	SNAP RING, SH-156, 1-9/16" EXTERNAL
17	1	03001	O-RING, 2-152, 3-7/16 OD X 3/32 SECTION
18	1	04605	TINE MOTOR
19	2	05585	SH CAP SCREW, 1/2-13 NC X 1-1/4 G5 ZINC
20	2	03926	O-RING, 2-112N90, 11/16 OD X 3/32 SECTION
21	1	05603	SNAP RING, HO-315, 3-5/32 INTERNAL
22	1	03943	BALL BEARING, SKF 6208
23	6	05056	HH CAP SCREW, 3/8-24 NF X 1 G5 ZINC
24	1	02065	MANIFOLD, TINE MOTOR
25	4	05572	SH CAP SCREW, 5/16-18 NC X 1 G5 ZINC
26	2	04520	FITTING, 6400-8-8
27	2	03302	FITTING, 6409-6 PLUG
28	6	05072	NUT, NYLOCK, 3/8-24 NF ZINC
29	1	10702	TORQUE TUBE, 17" BOLT ON
30	4	05046	NUT, GRIPCO, 1/2-13 NC G5 ZINC
31	4	05067	HH CAP SCREW, 1/2-13 NC X 1 G5 ZINC
32	1	10067	TINE COVER, 916
33	1	03341-22	DECAL, "TILLER OPERATING INSTRUCTIONS"
34	1	03341-23	DECAL, "TILLER SAFETY INSTRUCTIONS"
35	2	05092	HH CAP SCREW, 3/8-16 NC X 1-1/2 G5 ZINC
36	2	05073	NUT, NYLOCK, 3/8-16 NC ZINC
37	1	01099	HANDLE, DEPTH BAR
38	1	03018	GRIP, 1/8 X 3/4 X 2-3/4
39	1	03080	SPRING
40	1	01018	PIN, DEPTH BAR
41	1	03065	HAIR SPRING COTTER #4
42	1	03040-02	DECAL, "BARRETO", 3-1/2 X 11-1/4
43	1	03040-01	DECAL, "MADE IN USA"
44	1	03040-08	DECAL, "WARNING" (YELLOW)
45	1	03040-03	DECAL, "CAUTION" (BLACK & WHITE)
46	1	03040-07	DECAL, "CAUTION" (YELLOW)
47	1	04340	DECAL, "916"

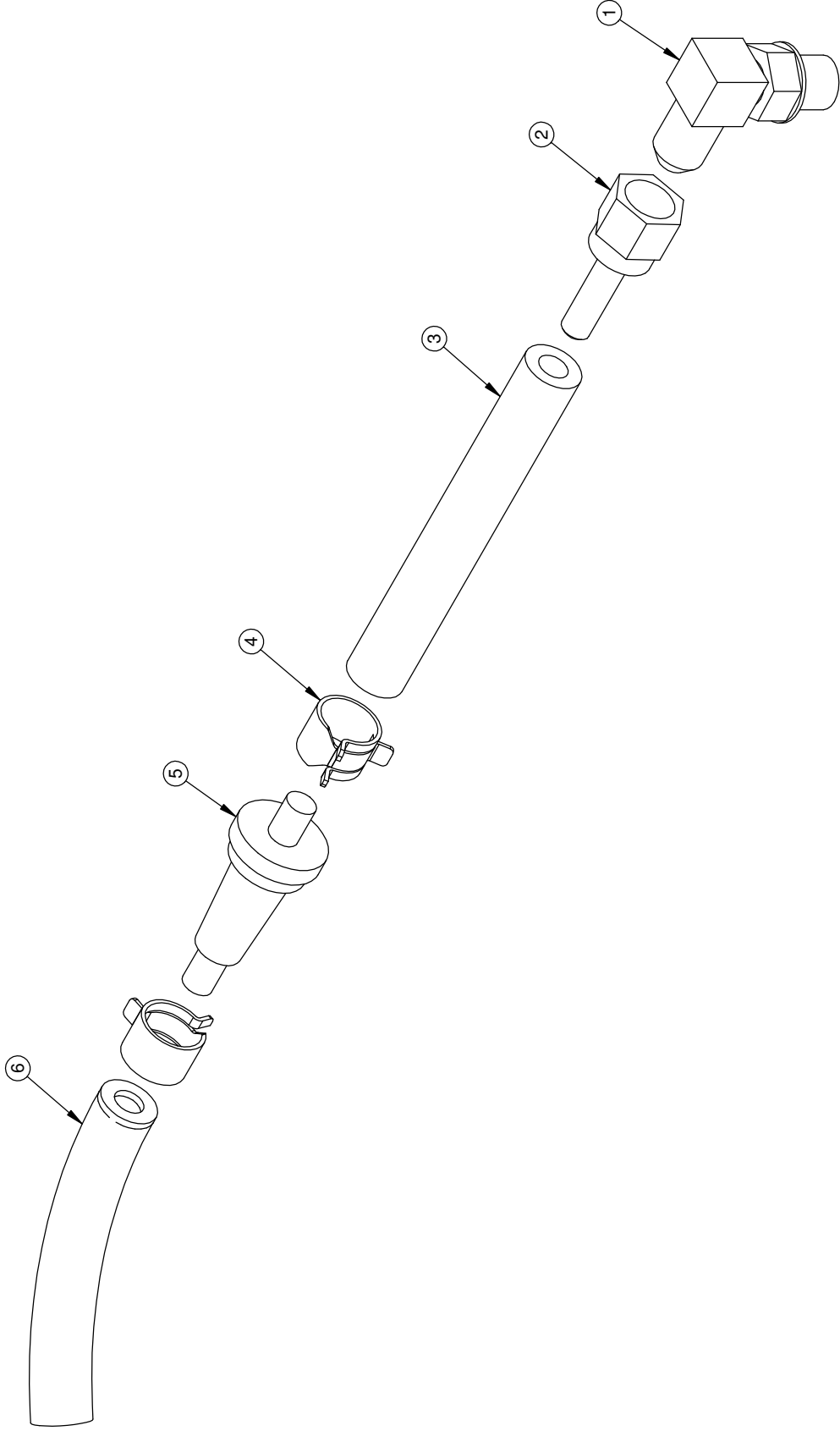
- ① FOR 918, USE PART NO. 10706 (TORQUE TUBE, 19")
- ② FOR 918, USE PART NO. 01066 (TINE COVER, 918)
- ③ FOR 918, USE PART NO. 03040-51 (DECAL, "918")
- ④ FOR 918, USE PART NO. 11281 (TINE SHAFT, 918)
- ⑤ PART NO. 05063-24 IS A SET OF 24 PIECES.
- ⑥ PART NO. 03196-12 IS A SET OF 12 PIECES.
- ⑦ PART NO. 05074-24 IS A SET OF 24 PIECES.
- ⑧ REFERENCE DWG. 10144 FOR INDIVIDUAL PARTS.



BARRETO

TITLE: TINE SECTION,
16" OR 18" DIGGING WIDTH
PRODUCT LINE: 916 & 918 TILLER DATE: 4/26/07
SCALE: 1:9.2
SHEET 1 OF 1
DWG# 00253 R2

REF.	QTY.	PART NO.	DESCRIPTION
1	1	04555	FITTING, 6801-4-4
2	1	04214	FITTING, JS-4-4, HOSE BARB 1/4 X 1/4 SWIVEL
3	1	11348	HOSE, 1/4 INCH GASOLINE, 4L5, 3-1/2" LONG
4	2	03062-06	CLAMP, 1/4" FUEL LINE
5	1	04516	BREATHER, FILTER SNAPPER 1435
6	1	11347	HOSE, 1/4 INCH GASOLINE, 4L5, 3-1/4" LONG



BARRETO

TITLE: BREATHER HOSE ASSEMBLY

PRODUCT LINE: 916 DATE: 4/26/07

SCALE: 1:1.3 SHEET 1 OF 1

DWG# 10189 R2

HOSES, 916 TILLER

QTY.	PART NO.	DESCRIPTION
1	10204	HOSE, PUMP TO ACTUATOR TEE FITTING
1	10205	HOSE, CONTROL VALVE TO ACTUATOR TEE FITTING
1	10206	HOSE, CONTROL VALVE TO OIL FILTER MOUNT
1	10207	HOSE, CONTROL VALVE TO WHEEL DRIVE MOTOR FRONT PORT
1	10208	HOSE, CONTROL VALVE TO WHEEL DRIVE MOTOR REAR PORT
1	10209	HOSE, CONTROL VALVE TO TINE MOTOR FRONT PORT
1	10210	HOSE, CONTROL VALVE TO TINE MOTOR REAR PORT



Recycling



ENVIRONMENTAL PROTECTION: Please recycle any unwanted materials as opposed to disposing them as general waste. It is recommended the original is retained and used to store the product when not in use for prolonged periods of time. If this is not applicable ensure the materials are sorted and recycled in accordance with local regulations.



SPECIFICATION CHANGE: It is our policy to continually improve products to ensure these meet the rigours of the industry we serve. Therefore, as such we reserve the right to alter specifications, data, components & parts with-out prior notice.

WARRANTY: Please refer to the manufactures terms & conditions.

IMPORTANT: No liability will be accepted for the incorrect use of this product.

KEEP THIS BOOKLET FOR FUTURE REFERENCE

📞 Nottingham: 0115 946 1988 • London: 0208 830 3333 ✉ Nottingham: sales@hscgroupuk.co.uk • London: sean@hscgroupuk.co.uk 🌐 www.hscgroupuk.co.uk

The Hire Supply Company Terms & Conditions Apply At All Time E&OE