



# PARTS DRAWING

**BARRETO**

**9hp Hydraulic  
Rear Tine Tiller**

**Product Code:  
OOA900**



Serial Number Range:

From:

To:

Year Of Manufacture: 2012

**\*Please note, when ordering online via our website if the part number is not recognised,  
please Email [spares@hscgroupuk.co.uk](mailto:spares@hscgroupuk.co.uk) or Telephone 0115 946 1988**

**KEEP THIS BOOKLET FOR FUTURE REFERENCE**

Nottingham: 0115 946 1988 • London: 0208 830 3333 ✉ Nottingham: [sales@hscgroupuk.co.uk](mailto:sales@hscgroupuk.co.uk) • London: [sean@hscgroupuk.co.uk](mailto:sean@hscgroupuk.co.uk) 🌐 [www.hscgroupuk.co.uk](http://www.hscgroupuk.co.uk)

The Hire Supply Company Terms & Conditions Apply At All Time E&OE

THE  
**BARRETO**  
MODEL E916/918  
HYDRAULIC REAR TINE TILLER  
EXPLODED VIEWS WITH PART NUMBERS

CONGRATULATIONS!

You are now the proud owner of a BARRETO tiller. The following pages have detailed views of your tiller, along with corresponding part numbers. If you have any questions or need any replacement parts in the future, please contact us at your convenience. Our toll-free phone number, fax and email are listed below and parts may be ordered through any of these methods.

Thank you for your patronage and confidence in BARRETO equipment.

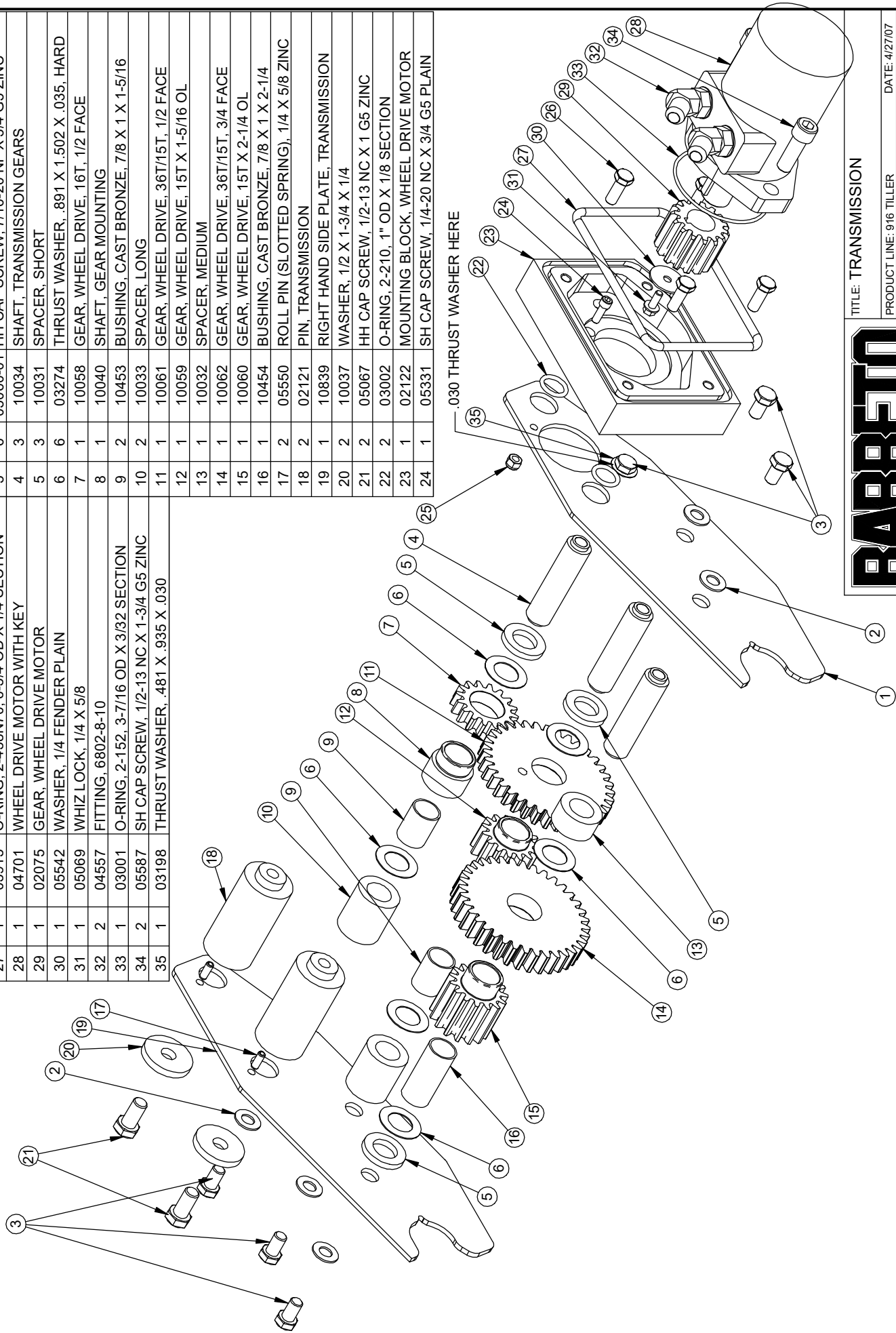
Barreto Manufacturing, Inc.  
Innovative Equipment Engineered to Last  
66498 Highway 203  
La Grande, OR 97850  
1-800-525-7348  
1-541-963-6755 Fax  
E-Mail: [info@barretomfg.com](mailto:info@barretomfg.com)  
Web Site: <http://www.barretomfg.com>

Machine Identification Record

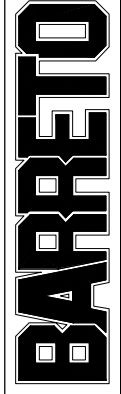
BARRETO Customer number \_\_\_\_\_  
Machine model number \_\_\_\_\_  
Machine serial number \_\_\_\_\_  
Engine manufacturer \_\_\_\_\_  
Engine model number \_\_\_\_\_  
Engine serial number \_\_\_\_\_

| REF. QTY. | PART NO. | DESCRIPTION                                    |
|-----------|----------|--|
| 25        | 1        | 05096 NUT, NYLOCK, 1/4-20 NC ZINC              |
| 26        | 4        | 05059 HH CAP SCREW, 3/8-16 NC X 1 G5 ZINC      |
| 27        | 1        | 03915 O-RING, 2-438N70, 6-3/4 OD X 1/4 SECTION |
| 28        | 1        | 04701 WHEEL DRIVE MOTOR WITH KEY               |
| 29        | 1        | 02075 GEAR, WHEEL DRIVE MOTOR                  |
| 30        | 1        | 05542 WASHER, 1/4 FENDER PLAIN                 |
| 31        | 1        | 05069 WHIZ LOCK, 1/4 X 5/8                     |
| 32        | 2        | 04557 FITTING, 6802-8-10                       |
| 33        | 1        | 03001 O-RING, 2-152, 3-7/16 OD X 3/32 SECTION  |
| 34        | 2        | 05587 SH CAP SCREW, 1/2-13 NC X 1-3/4 G5 ZINC  |
| 35        | 1        | 03198 THRUST WASHER, .481 X .935 X .030        |

| REF. QTY. | PART NO. | DESCRIPTION                               |
|-----------|----------|---|
| 1         | 10840    | LEFT HAND SIDE PLATE, TRANSMISSION        |
| 2         | 05544    | WASHER, 7/16 SAE ZINC                     |
| 3         | 05060-01 | HH CAP SCREW, 7/16-20 NF X 3/4 G5 ZINC    |
| 4         | 10034    | SHAFT, TRANSMISSION GEARS                 |
| 5         | 10031    | SPACER, SHORT                             |
| 6         | 03274    | THRUST WASHER, .891 X 1.502 X .035, HARD  |
| 7         | 10058    | GEAR, WHEEL DRIVE, 16T, 1/2 FACE          |
| 8         | 10040    | SHAFT, GEAR MOUNTING                      |
| 9         | 10453    | BUSHING, CAST BRONZE, 7/8 X 1 X 1-5/16    |
| 10        | 10033    | SPACER, LONG                              |
| 11        | 10061    | GEAR, WHEEL DRIVE, 36T/15T, 1/2 FACE      |
| 12        | 10059    | GEAR, WHEEL DRIVE, 15T X 1-5/16 OL        |
| 13        | 10032    | SPACER, MEDIUM                            |
| 14        | 10062    | GEAR, WHEEL DRIVE, 36T/15T, 3/4 FACE      |
| 15        | 10060    | GEAR, WHEEL DRIVE, 15T X 2-1/4 OL         |
| 16        | 10454    | BUSHING, CAST BRONZE, 7/8 X 1 X 2-1/4     |
| 17        | 05550    | ROLL PIN (SLOTTED SPRING), 1/4 X 5/8 ZINC |
| 18        | 02121    | PIN, TRANSMISSION                         |
| 19        | 10839    | RIGHT HAND SIDE PLATE, TRANSMISSION       |
| 20        | 10037    | WASHER, 1/2 X 1-3/4 X 1/4                 |
| 21        | 05067    | HH CAP SCREW, 1/2-13 NC X 1 G5 ZINC       |
| 22        | 03002    | O-RING, 2-210, 1" OD X 1/8 SECTION        |
| 23        | 02122    | MOUNTING BLOCK, WHEEL DRIVE MOTOR         |
| 24        | 05331    | SH CAP SCREW, 1/4-20 NC X 3/4 G5 PLAIN    |



TITLE: TRANSMISSION

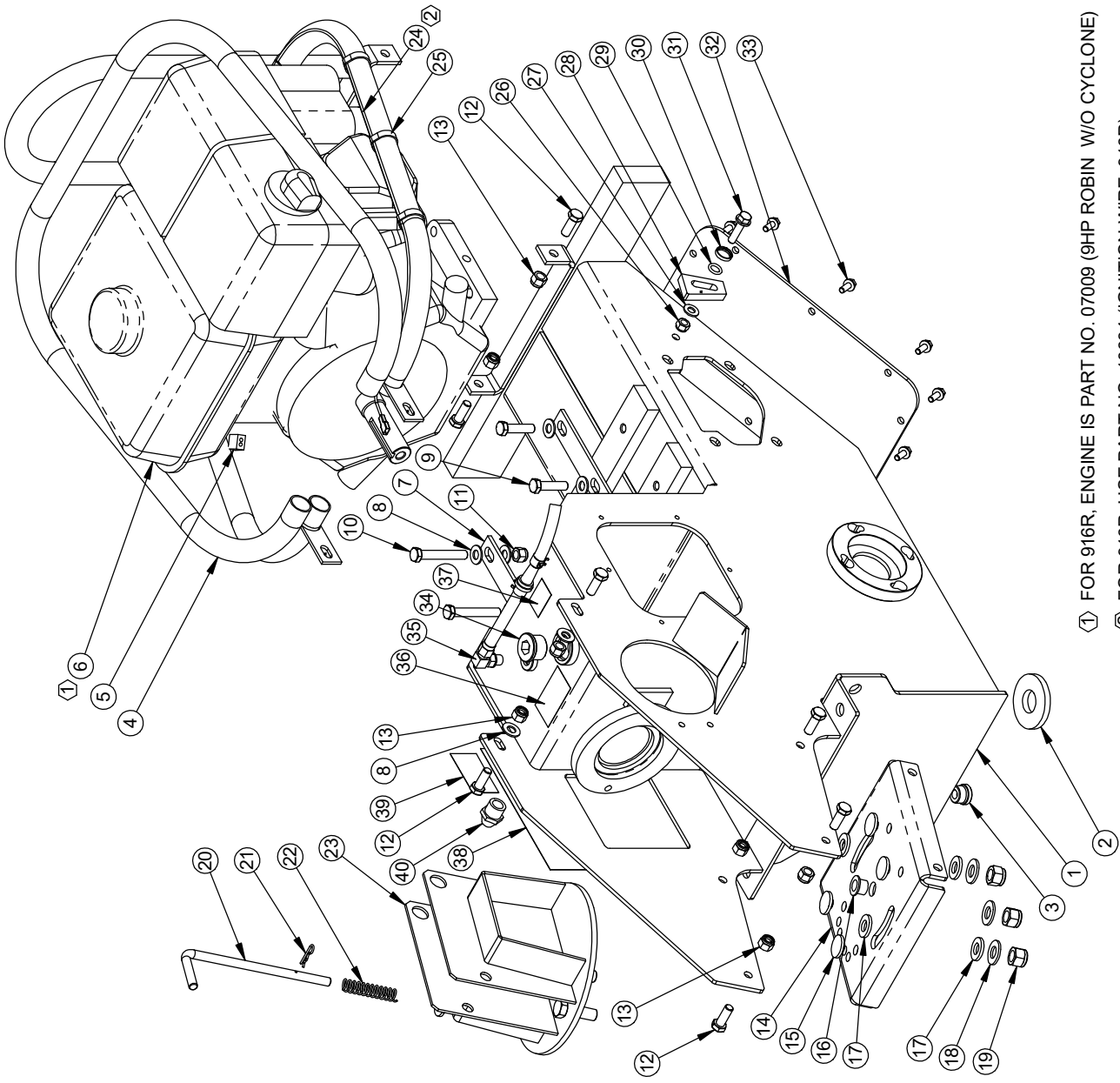


PRODUCT LINE: 916 TILLER  
 SCALE: 1:4.3  
 SHEET 1 OF 1

DWG# 00237 R1

DATE: 4/27/07

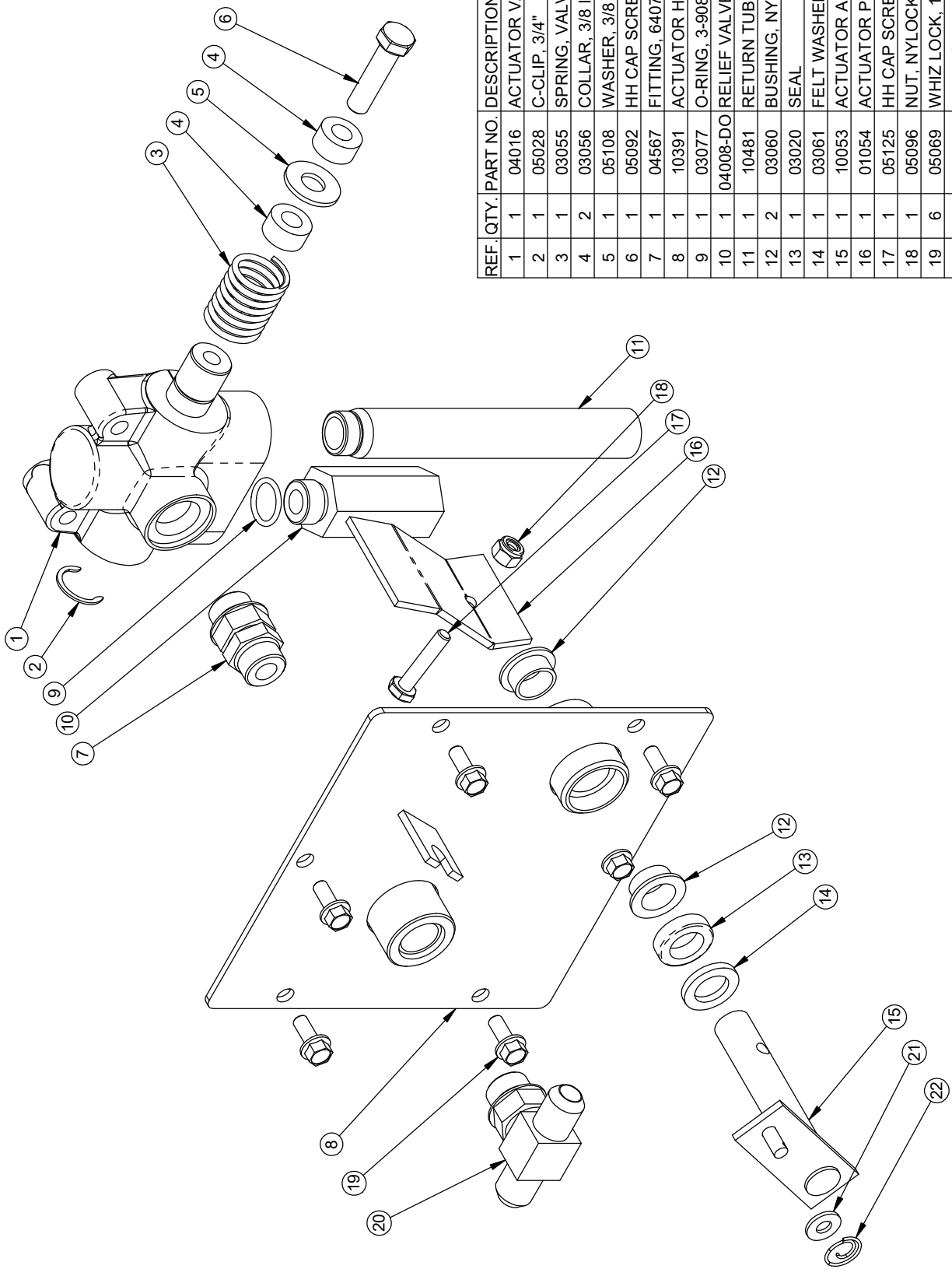
| REF. QTY. | PART NO. | DESCRIPTION                                 |
|-----------|----------|---|
| 1         | 10701    | 916 & 918 BODY, BOLT ON TORQUE TUBE         |
| 2         | 03520    | MAGNET                                      |
| 3         | 10361    | FITTING, 6409-8 PLUG                        |
| 4         | 10188    | ENGINE GUARD, 916                           |
| 5         | 03806    | QUICK-SPLICE                                |
| 6         | 07006    | ENGINE, 9 HP HONDA GX270                    |
| 7         | 11188    | SPACER, 9 HP ENGINES                        |
| 8         | 05101    | WASHER, 3/8 SAE ZINC                        |
| 9         | 05092    | HH CAP SCREW, 3/8-16 NC X 1-1/2 G5 ZINC     |
| 10        | 05284    | HH CAP SCREW, 3/8-16 NC X 2-1/2 G8 ZINC     |
| 11        | 05073    | NUT, NYLOCK, 3/8-16 NC                      |
| 12        | 05056    | HH CAP SCREW, 3/8-24 NF X 1 G5 ZINC         |
| 13        | 05072    | NUT, NYLOCK, 3/8-24 NF                      |
| 14        | 10035    | MOUNTING PLATE, HANDLE BAR                  |
| 15        | 10064    | BUSHING, NYLATRON, 1" OD SOLID              |
| 16        | 03501    | BUSHING, IGUS MFI-0810-08                   |
| 17        | 10469    | THRUST WASHER, .500 X 1.000 X .125 NYLATRON |
| 18        | 05102    | WASHER, 1/2 SAE ZINC HARDENED               |
| 19        | 05098    | NUT, NYLOCK, 1/2-13 NC                      |
| 20        | 10068    | PIN, HANDLE BAR                             |
| 21        | 03065    | HAIR SPRING COTTER #4                       |
| 22        | 03080    | SPRING                                      |
| 23        | 10036    | HANDLE BAR BRACKET                          |
| 24        | 10558    | IGNITION WIRE, 916                          |
| 25        | 03035    | TIE WRAP, 1/8 X 6                           |
| 26        | 05273    | NUT, NYLOCK, 5/16-18 NC                     |
| 27        | 05068    | WASHER, 5/16 SAE ZINC                       |
| 28        | 10555    | WEDGE                                       |
| 29        | 03907    | O-RING, 2-111, 5/8 OD X 3/32 SECTION        |
| 30        | 02526    | HOUSING, 2-111 O-RING & FLANGE SCREW        |
| 31        | 05138    | HH FLANGE SCREW, 5/16-18 NC X 1-1/4 G8 ZINC |
| 32        | 10056    | ACCESS PLATE                                |
| 33        | 05069    | WHIZ LOCK, 1/4-20 UNC X 5/8                 |
| 34        | 10526    | FITTING, 6409-12 PLUG                       |
| 35        | 10189 R2 | BREATHER HOSE ASSEMBLY                      |
| 36        | 03040-06 | DECAL, "HYDRAULIC OIL ONLY"                 |
| 37        | 03040-16 | DECAL, "CE"                                 |
| 38        | 03040-11 | DECAL, "BARRETO", 2-3/16 X 7-3/8            |
| 39        | 03040-57 | DECAL, "HYDRAULIC OIL LEVEL"                |
| 40        | 03503    | SIGHT GAUGE                                 |



- ① FOR 916R, ENGINE IS PART NO. 07009 (9HP ROBIN W/O CYCLONE)
- ② FOR 916R, USE PART NO. 10634 (IGNITION WIRE, 916R)

# BARRETO

TITLE: BODY,  
BOLT ON TORQUE TUBE  
PRODUCT LINE: 916/18      DATE: 12/4/06  
SCALE: 1:1.2      DWG# 00238 R4  
SHEET 1 OF 1



| REF. QTY. | PART NO. | DESCRIPTION                             |
|-----------|----------|---|
| 1         | 04016    | ACTUATOR VALVE, O-RING PORTS            |
| 2         | 05028    | C-CLIP, 3/4"                            |
| 3         | 03055    | SPRING, VALVE SPOOL RETURN              |
| 4         | 03056    | COLLAR, 3/8 ID                          |
| 5         | 05108    | WASHER, 3/8 USS, ZINC                   |
| 6         | 05092    | HH CAP SCREW, 3/8-16 NC X 1-1/2 G5 ZINC |
| 7         | 04567    | FITTING, 6407-8-8                       |
| 8         | 10391    | ACTUATOR HOUSING PLATE                  |
| 9         | 03077    | O-RING, 3-908, -8 FITTINGS              |
| 10        | 04008-DO | RELIEF VALVE, 2750 POUND, O-RING        |
| 11        | 10481    | RETURN TUBE, #8 O-RING                  |
| 12        | 03060    | BUSHING, NYLON, IGUS MFI-1012-06        |
| 13        | 03020    | SEAL                                    |
| 14        | 03061    | FELT WASHER, 5/8 X 1 X 1/8              |
| 15        | 10053    | ACTUATOR ARM                            |
| 16        | 01054    | ACTUATOR PLATE                          |
| 17        | 05125    | HH CAP SCREW 1/4-20 NC X 1-1/4 G5 ZINC  |
| 18        | 05096    | NUT, NYLOCK, 1/4-20 NC                  |
| 19        | 05069    | WHIZ LOCK, 1/4-20 UNC X 5/8             |
| 20        | 04017    | FITTING, 6803-8-8-8                     |
| 21        | 05081    | WASHER, 1/4 SAE ZINC                    |
| 22        | 05039    | CIRCLE COTTER CC-3                      |

# BARRETO

TITLE: ACTUATOR VALVE

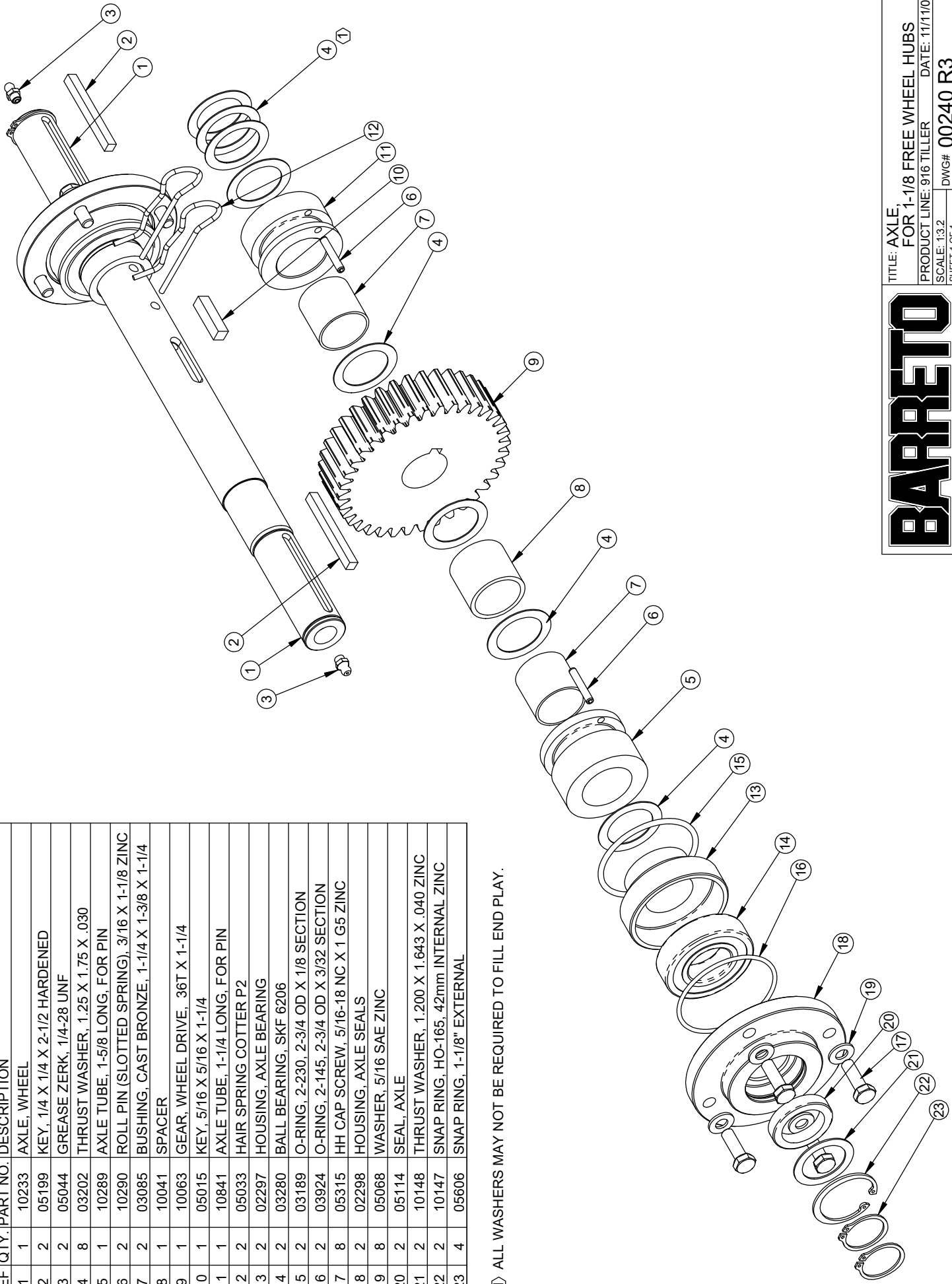
PRODUCT LINE: 916 TILLER      DATE: 3/31/06

SCALE: 1:2.5      DWG# 00239 R3

SHEET 1 OF 1

| REF | QTY. | PART NO. | DESCRIPTION                                  |
|-----|------|----------|--|
| 1   | 1    | 10233    | AXLE, WHEEL                                  |
| 2   | 2    | 05199    | KEY, 1/4 X 1/4 X 2-1/2 HARDENED              |
| 3   | 2    | 05044    | GREASE ZERK, 1/4-28 UNF                      |
| 4   | 8    | 03202    | THRUST WASHER, 1.25 X 1.75 X .030            |
| 5   | 1    | 10289    | AXLE TUBE, 1-5/8 LONG, FOR PIN               |
| 6   | 2    | 10290    | ROLL PIN (SLOTTED SPRING), 3/16 X 1-1/8 ZINC |
| 7   | 2    | 03085    | BUSHING, CAST BRONZE, 1-1/4 X 1-3/8 X 1-1/4  |
| 8   | 1    | 10041    | SPACER                                       |
| 9   | 1    | 10063    | GEAR, WHEEL DRIVE, 36T X 1-1/4               |
| 10  | 1    | 05015    | KEY, 5/16 X 5/16 X 1-1/4                     |
| 11  | 1    | 10841    | AXLE TUBE, 1-1/4 LONG, FOR PIN               |
| 12  | 2    | 05033    | HAIR SPRING COTTER P2                        |
| 13  | 2    | 02297    | HOUSING, AXLE BEARING                        |
| 14  | 2    | 03280    | BALL BEARING, SKF 6206                       |
| 15  | 2    | 03189    | O-RING, 2-230, 2-3/4 OD X 1/8 SECTION        |
| 16  | 2    | 03924    | O-RING, 2-145, 2-3/4 OD X 3/32 SECTION       |
| 17  | 8    | 05315    | HH CAP SCREW, 5/16-18 NC X 1 G5 ZINC         |
| 18  | 2    | 02298    | HOUSING, AXLE SEALS                          |
| 19  | 8    | 05068    | WASHER, 5/16 SAE ZINC                        |
| 20  | 2    | 05114    | SEAL, AXLE                                   |
| 21  | 2    | 10148    | THRUST WASHER, 1.200 X 1.643 X .040 ZINC     |
| 22  | 2    | 10147    | SNAP RING, HO-165, 42mm INTERNAL ZINC        |
| 23  | 4    | 05606    | SNAP RING, 1-1/8" EXTERNAL                   |

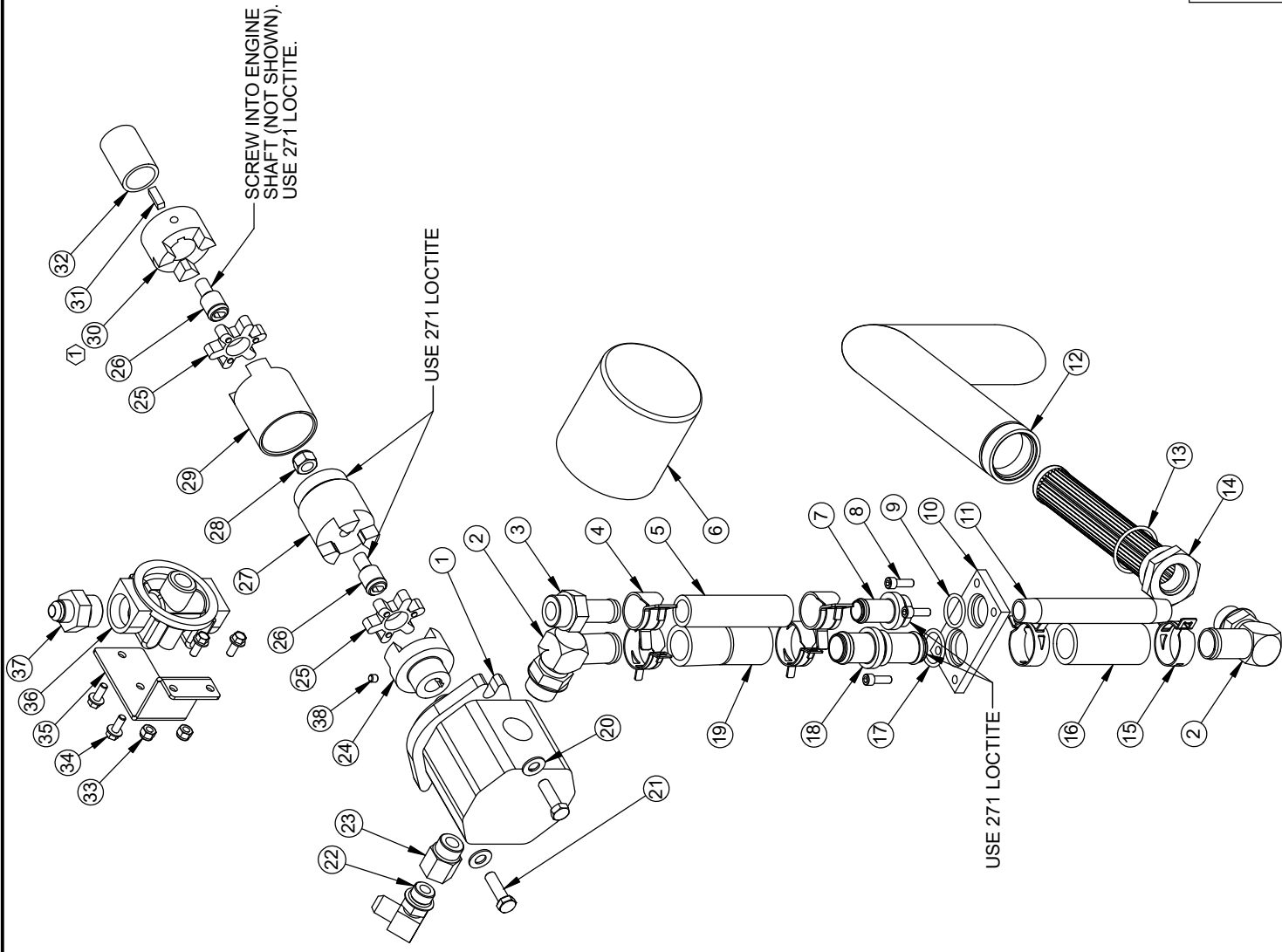
① ALL WASHERS MAY NOT BE REQUIRED TO FILL END PLAY.



# BARRETO

TITLE: AXLE,  
FOR 1-1/8 FREE WHEEL HUBS  
PRODUCT LINE: 916 TILLER DATE: 11/11/08  
SCALE: 1:3.2  
SHEET 1 OF 1 DWG# 00240 R3

| REF | QTY. | PART NO. | DESCRIPTION                             |
|-----|------|----------|---|
| 1   | 1    | 04004-A  | PUMP, HYDRAULIC                         |
| 2   | 2    | 04530    | FITTING, 4601-16-12                     |
| 3   | 1    | 04219    | FITTING, 4604-12-12                     |
| 4   | 2    | 05008    | CLAMP, 1" HOSE, CTB-29                  |
| 5   | 1    | 10796    | HOSE, RETURN TO TANK                    |
| 6   | 1    | 03951    | FILTER, HYDRAULIC OIL, WITH BY-PASS     |
| 7   | 1    | 10853    | FITTING, 3/4 HOSE BIB, 1/2 NPT          |
| 8   | 4    | 05611    | SH CAP SCREW, 1/4-20 NC X 3/4 ZINC      |
| 9   | 1    | 03075    | O-RING, 3-912N90, -12 FITTINGS          |
| 10  | 1    | 10851    | MOUNTING PLATE, HOSE BIB FITTINGS       |
| 11  | 1    | 01020    | PIPE NIPPLE, 1/2 X 6, SCH 40            |
| 12  | 1    | 10860    | SUCTION TUBE, #20 O-RING                |
| 13  | 1    | 03293    | O-RING, 3-920N90, -20 FITTINGS          |
| 14  | 1    | 10247    | SUMP SCREEN #20 EXT #12 INT O-RING      |
| 15  | 4    | 05225    | CLAMP, 1-1/2" HOSE, CTB-36 ST           |
| 16  | 1    | 10184    | HOSE, SUMP SCREEN                       |
| 17  | 1    | 10855    | O-RING, 3-914N90, -14 FITTINGS          |
| 18  | 1    | 10852    | FITTING, 1" HOSE BIBS                   |
| 19  | 1    | 10854    | HOSE, PUMP INTAKE                       |
| 20  | 2    | 05101    | WASHER, 3/8 SAE ZINC                    |
| 21  | 2    | 05091    | HH CAP SCREW, 3/8-16 NC X 1-1/4 G5 ZINC |
| 22  | 1    | 04554    | FITTING, 6801-8-8                       |
| 23  | 1    | 04209    | FITTING, 6410-10-8                      |
| 24  | 1    | 10747    | JAW COUPLER, PUMP, 5/8 BORE             |
| 25  | 2    | 03022    | SPIDER, RUBBER                          |
| 26  | 2    | 10738    | PILOT                                   |
| 27  | 1    | 10737    | COUPLER SHAFT, PUMP SIDE                |
| 28  | 1    | 05077    | NUT, NYLOCK, 7/16-20 NF ZINC            |
| 29  | 1    | 10739    | COUPLER SHAFT, ENGINE SIDE              |
| 30  | 1    | 03023    | JAW COUPLER, 1" BORE L095               |
| 31  | 1    | 05014    | KEY, 1/4 X 1/4 X 3/4                    |
| 32  | 1    | 10180    | SPACER, ENGINE SHAFT                    |
| 33  | 2    | 05096    | NUT, NYLOCK, 1/4-20 NC ZINC             |
| 34  | 4    | 05069    | WHIZ LOCK, 1/4-20 NC X 5/8 ZINC         |
| 35  | 1    | 10798    | BRACKET, FILTERHEAD                     |
| 36  | 1    | 04403    | FILTER HEAD, #12 O-RING                 |
| 37  | 1    | 10808    | FITTING, 6400-8-12                      |
| 38  | 1    | 05143    | SET SCREW .25 NF X .25 CUP              |

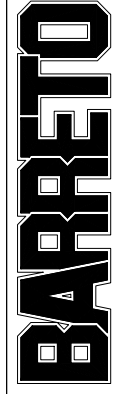


NOTES:

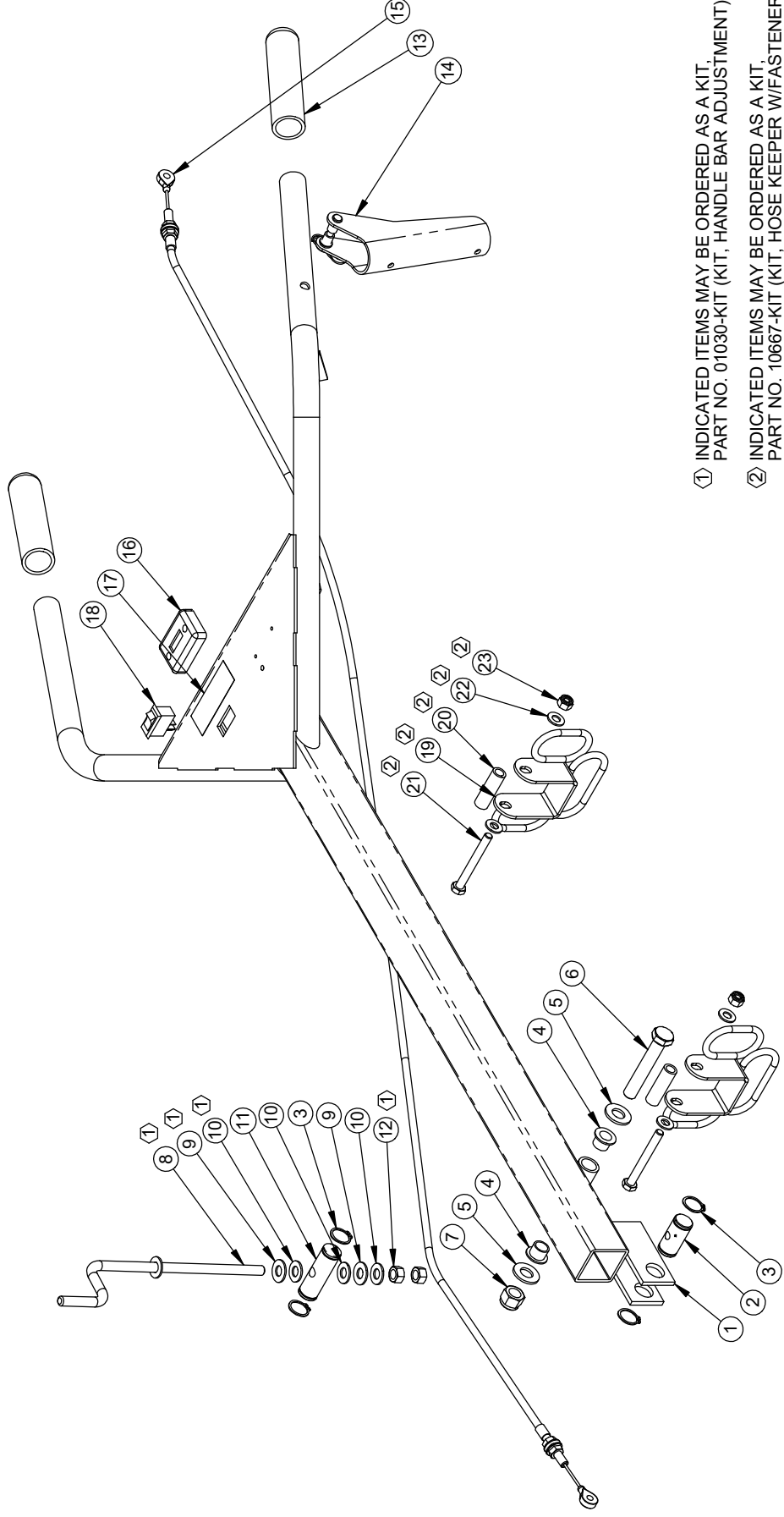
- ① COMES WITH SET SCREW. REPLACEMENT SET SCREW IS 5/16 X 5/16, PART NO. 05127.

TITLE: PUMP

|                   |               |
|-------------------|---------------|
| PRODUCT LINE: 916 | DATE: 2/15/06 |
| SCALE: 1:5.6      | DWG# 00241 R3 |
| SHEET 1 OF 1      |               |



| REF. QTY. | PART NO. | DESCRIPTION                         | REF. QTY. | PART NO. | DESCRIPTION                              |
|-----------|----------|-------------------------------------|-----------|----------|--|
| 1         | 01017    | HANDLE BARS                         | 13        | 03032-01 | GRIP, 1 X 5 (P/N 03032 IS A PAIR)        |
| 2         | 02027-L  | HANDLE BAR ADJUSTER PIN, LOWER      | 14        | 03029    | LEVER ASSEMBLY (COMPLETE)                |
| 3         | 05216    | SNAP RING, 3/4 EXTERNAL             | 15        | 10057    | CABLE ACTUATOR                           |
| 4         | 03501    | BUSHING, IGUS MFI-0810-08           | 16        | 03009    | HOSE METER - COMPLETE KIT                |
| 5         | 05102    | WASHER, 1/2 SAE ZINC HARDENED       | 17        | 03341-07 | DECAL, "IGNITION OFF/ON"                 |
| 6         | 05093    | HH CAP SCREW, 1/2-13 NC X 3 G5 ZINC | 18        | 06420    | ROCKER SWITCH, IGNITION OFF/ON           |
| 7         | 05098    | NUT, NYLOCK, 1/2-13 NC              | 19        | 10667    | HOSE KEEPER                              |
| 8         | 01030    | CRANK, HANDLE BAR ADJUSTMENT        | 20        | 10668    | SPACER, HOSE KEEPER                      |
| 9         | 05058    | WASHER, 3/8 NYLON                   | 21        | 05065    | HH CAP SCREW, 5/16-18 NC X 2-3/4 G5 ZINC |
| 10        | 05103    | WASHER, 3/8 A325 HARDENED ZINC      | 22        | 05068    | WASHER, 5/16 SAE ZINC                    |
| 11        | 02027-U  | PIN, HANDLE BAR ADJUSTMENT, UPPER   | 23        | 05273    | NUT, NYLOCK, 5/16-18 NC                  |
| 12        | 05269    | NUT, 3/8-16 NC GRB ZINC             |           |          |  |



① INDICATED ITEMS MAY BE ORDERED AS A KIT,  
PART NO. 01030-KIT (KIT, HANDLE BAR ADJUSTMENT).

② INDICATED ITEMS MAY BE ORDERED AS A KIT,  
PART NO. 10667-KIT (KIT, HOSE KEEPER W/FASTENERS).

TITLE: HANDLE BARS & CRANK

PRODUCT LINE: 916

SCALE: 1:6.2

1/16/07

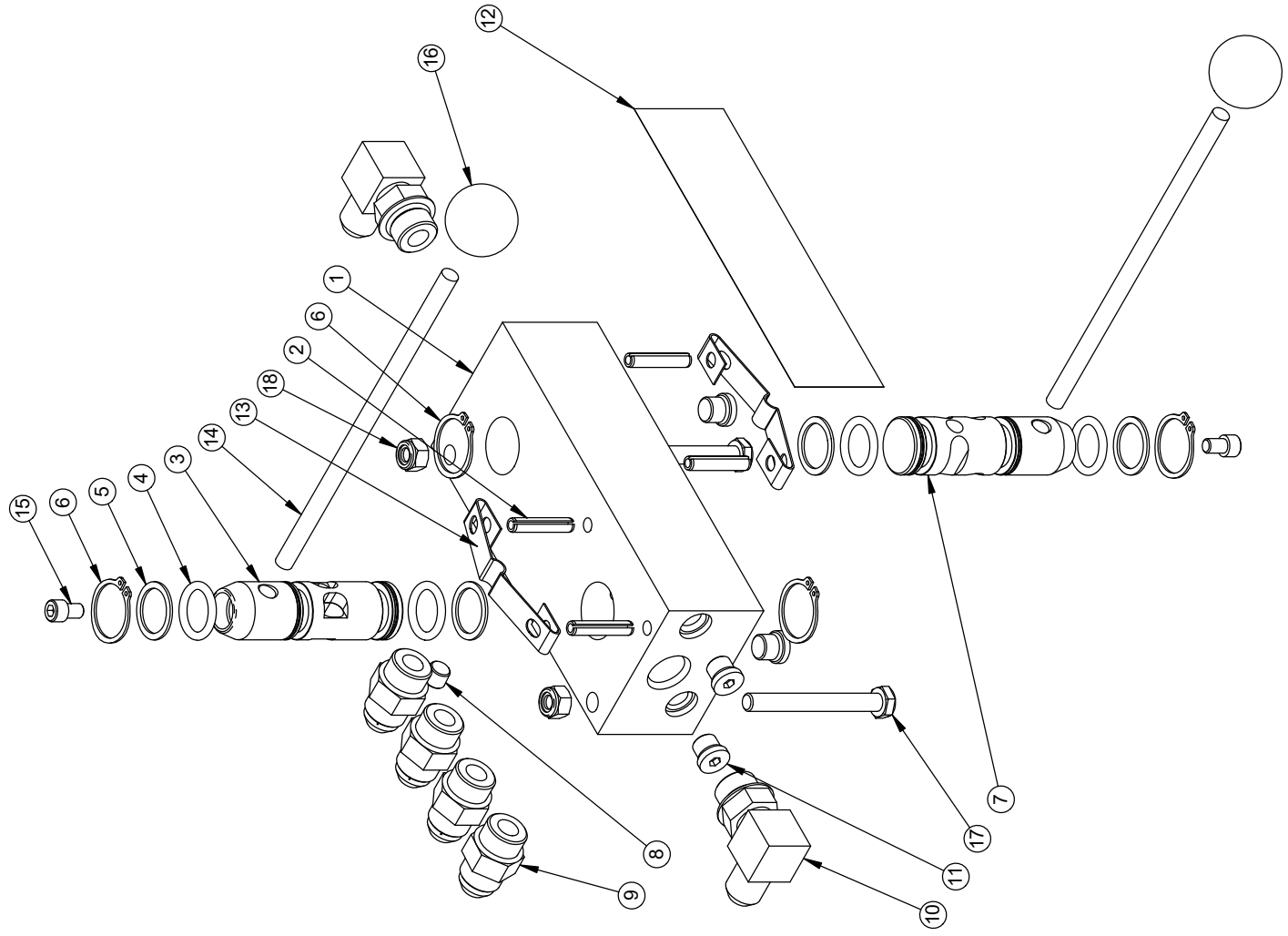
SHEET 1 OF 1

DWG# 00250 R1

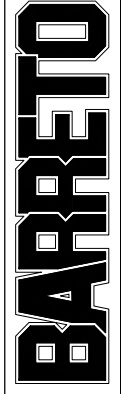
# BARRETO



| REF | QTY. | PART NO. | DESCRIPTION                                 |
|-----|------|----------|---|
| 1   | 1    | 04010    | CONTROL VALVE BODY (ORDER 04010-K)          |
| 2   | 4    | 05200    | ROLL PIN (SLOTTED SPRING), 1/4 X 1-1/4 ZINC |
| 3   | 1    | 04015-D  | VALVE SPOOL, TINES (ORDER 04010-K)          |
| 4   | 4    | 03002    | O-RING, 2-210, 1" OD X 1/8 SECTION          |
| 5   | 4    | 03025    | BACK-UP RING, 1" TEFLON                     |
| 6   | 4    | 05010    | SNAP RING, 1" EXTERNAL                      |
| 7   | 1    | 04015-C  | VALVE SPOOL, WHEEL DRIVE (ORDER 04010-K)    |
| 8   | 1    | 05023    | PIPE PLUG, 1/8"                             |
| 9   | 4    | 04520    | FITTING, 6400-8-8                           |
| 10  | 2    | 04554    | FITTING, 6801-8-8                           |
| 11  | 4    | 03300    | FITTING, 6409-4 PLUG                        |
| 12  | 1    | 03040    | DECAL, CONTROL VALVE                        |
| 13  | 2    | 03027    | DETENT SPRING                               |
| 14  | 2    | 02017    | HANDLE, 5/16 X 7                            |
| 15  | 2    | 05573    | SH CAP SCREW, 1/4-20 NC X 3/8 ZINC          |
| 16  | 2    | 03026    | KNOB, 5/16-NC                               |
| 17  | 2    | 05065    | HH CAP SCREW, 5/16-18 NC X 2-3/4 G5 ZINC    |
| 18  | 2    | 05273    | NUT, NYLOCK, 5/16-18 NC ZINC                |



TITLE: CONTROL VALVE

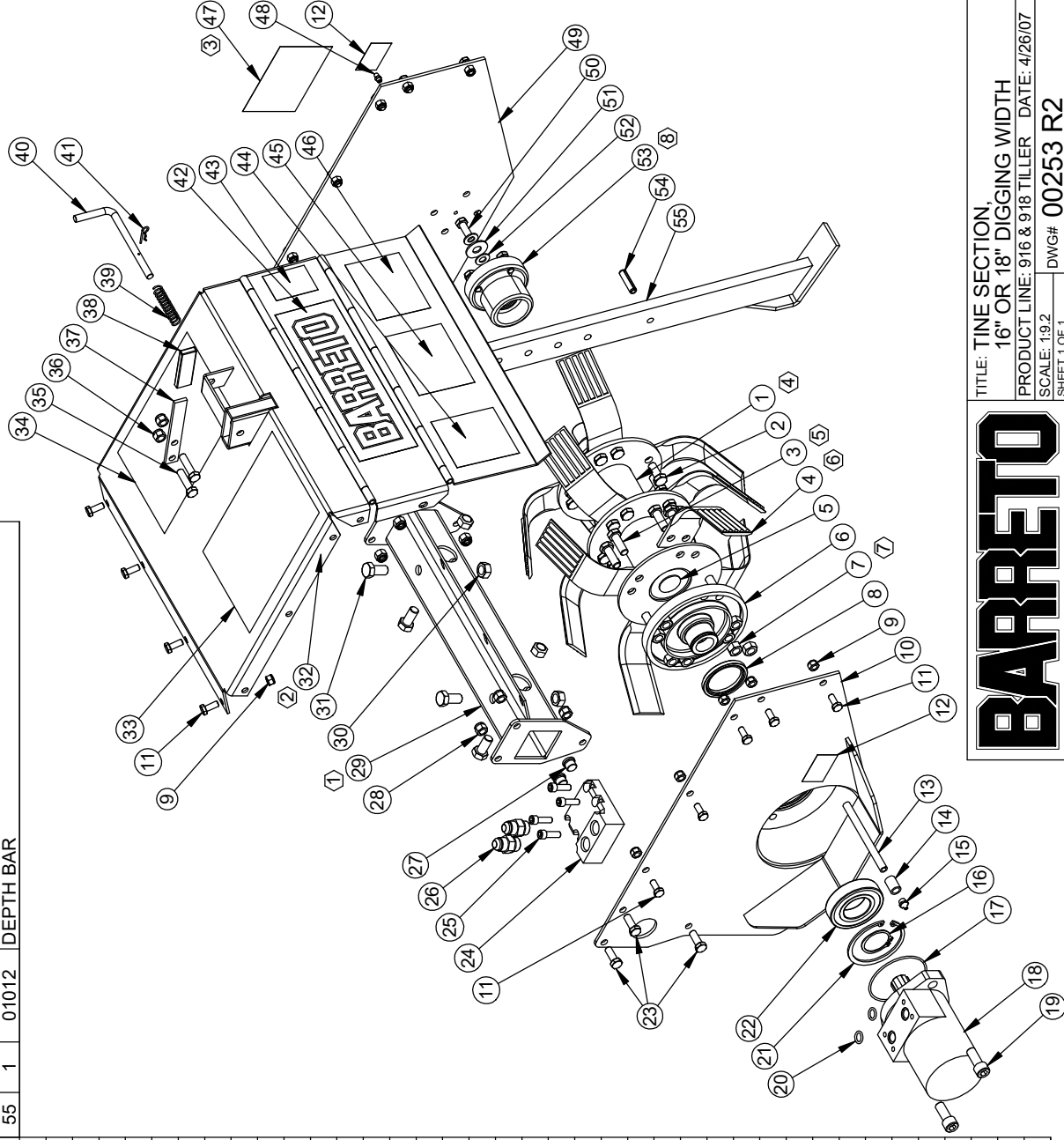


PRODUCT LINE: 916 DATE: 4/26/07

SCALE: 1:3 SHEET 1 OF 1 DWG# 00251 R1

| REF. QTY. | PART NO. | DESCRIPTION                               | REF. QTY. | PART NO. | DESCRIPTION                                 |
|-----------|----------|---|-----------|----------|---|
| 1         | 11279    | TINE SHAFT                                | 48        | 05044    | GREASE ZERK, 1/4-28 UNF                     |
| 2         | 05061    | HH CAP SCREW, 7/16-20 NF X 1 G8 ZINC      | 49        | 10146    | SIDE PLATE, RH TINE SECTION                 |
| 3         | 05063    | HH CAP SCREW, 7/16-20 NF X 1-1/4 G8 ZINC  | 50        | 05059    | HH CAP SCREW, 3/8-16 NC X 1 G5 ZINC         |
| 4         | 03196    | TINE, REVERSIBLE                          | 51        | 05083    | WASHER, 7/16 USS ZINC                       |
| 5         | 03928    | SOFT PLUG, 1-1/4 DIA                      | 52        | 05103    | WASHER, 3/8 A325 HARDENED ZINC              |
| 6         | 11278    | TINE MOTOR HUB, SPLINED                   | 53        | 10144    | OUTBOARD BEARING ASSEMBLY                   |
| 7         | 05074    | NUT, 7/16-20 NF G8 ZINC                   | 54        | 05006    | ROLL PIN (SLOTTED SPRING), 3/8 X 1-1/2 ZINC |
| 8         | 03930    | SEAL, CR 19763                            | 55        | 01012    | DEPTH BAR                                   |
| 9         | 05071    | NUT, NYLOCK, 5/16-24 NF ZINC              |           |          |   |
| 10        | 01067    | TINE MOTOR MOUNT & LH SIDE PLATE          |           |          |   |
| 11        | 05052    | HH CAP SCREW, 5/16-24 NF X 3/4 G5 ZINC    |           |          |   |
| 12        | 03040-04 | DECAL, "GREASE DAILY"                     |           |          |   |
| 13        | 05282    | PIPE NIPPLE, 1/8" X 5 LONG                |           |          |   |
| 14        | 05204    | PIPE COUPLER, 1/8"                        |           |          |   |
| 15        | 05256    | GREASE ZERK, 1/8 NPT                      |           |          |   |
| 16        | 05607    | SNAP RING, SH-156, 1-9/16" EXTERNAL       |           |          |   |
| 17        | 03001    | O-RING, 2-152, 3-7/16 OD X 3/32 SECTION   |           |          |   |
| 18        | 04605-F  | TINE MOTOR                                |           |          |   |
| 19        | 05585    | SH CAP SCREW, 1/2-13 NC X 1-1/4 G5 ZINC   |           |          |   |
| 20        | 03926    | O-RING, 2-112N90, 11/16 OD X 3/32 SECTION |           |          |   |
| 21        | 05603    | SNAP RING, HO-315, 3-5/32 INTERNAL        |           |          |   |
| 22        | 03943    | BALL BEARING, SKF 6208                    |           |          |   |
| 23        | 05056    | HH CAP SCREW, 3/8-24 NF X 1 G5 ZINC       |           |          |   |
| 24        | 02065    | MANIFOLD, TINE MOTOR                      |           |          |   |
| 25        | 05572    | SH CAP SCREW, 5/16-18 NC X 1 G5 ZINC      |           |          |   |
| 26        | 04520    | FITTING, 6400-8-8                         |           |          |   |
| 27        | 03302    | FITTING, 6409-6 PLUG                      |           |          |   |
| 28        | 05072    | NUT, NYLOCK, 3/8-24 NF ZINC               |           |          |   |
| 29        | 10702    | TORQUE TUBE, 17" BOLT ON                  |           |          |   |
| 30        | 05046    | NUT, GRIPCO, 1/2-13 NC G5 ZINC            |           |          |   |
| 31        | 05067    | HH CAP SCREW, 1/2-13 NC X 1 G5 ZINC       |           |          |   |
| 32        | 10067    | TINE COVER, 916                           |           |          |   |
| 33        | 03341-22 | DECAL, "TILLER OPERATING INSTRUCTIONS"    |           |          |   |
| 34        | 03341-23 | DECAL, "TILLER SAFETY INSTRUCTIONS"       |           |          |   |
| 35        | 05092    | HH CAP SCREW, 3/8-16 NC X 1-1/2 G5 ZINC   |           |          |   |
| 36        | 05073    | NUT, NYLOCK, 3/8-16 NC ZINC               |           |          |   |
| 37        | 01099    | HANDLE, DEPTH BAR                         |           |          |   |
| 38        | 03018    | GRIP, 1/8 X 3/4 X 2-3/4                   |           |          |   |
| 39        | 03080    | SPRING                                    |           |          |   |
| 40        | 01018    | PIN, DEPTH BAR                            |           |          |   |
| 41        | 03065    | HAIR SPRING COTTER #4                     |           |          |   |
| 42        | 03040-02 | DECAL, "BARRETO", 3-1/2 X 11-1/4          |           |          |   |
| 43        | 03040-01 | DECAL, "MADE IN USA"                      |           |          |   |
| 44        | 03040-08 | DECAL, "WARNING" (YELLOW)                 |           |          |   |
| 45        | 03040-03 | DECAL, "CAUTION" (BLACK & WHITE)          |           |          |   |
| 46        | 03040-07 | DECAL, "CAUTION" (YELLOW)                 |           |          |   |
| 47        | 04340    | DECAL, "916"                              |           |          |   |

- ① FOR 918, USE PART NO. 10706 (TORQUE TUBE, 19")
- ② FOR 918, USE PART NO. 01066 (TINE COVER, 918)
- ③ FOR 918, USE PART NO. 03040-51 (DECAL, "918")
- ④ FOR 918, USE PART NO. 11281 (TINE SHAFT, 918)
- ⑤ PART NO. 05063-24 IS A SET OF 24 PIECES.
- ⑥ PART NO. 03196-12 IS A SET OF 12 PIECES.
- ⑦ PART NO. 05074-24 IS A SET OF 24 PIECES.
- ⑧ REFERENCE DWG. 10144 FOR INDIVIDUAL PARTS.



# BARRETO

TITLE: TINE SECTION,  
16" OR 18" DIGGING WIDTH

PRODUCT LINE: 916 & 918 TILLER DATE: 4/26/07

SCALE: 1:3.2

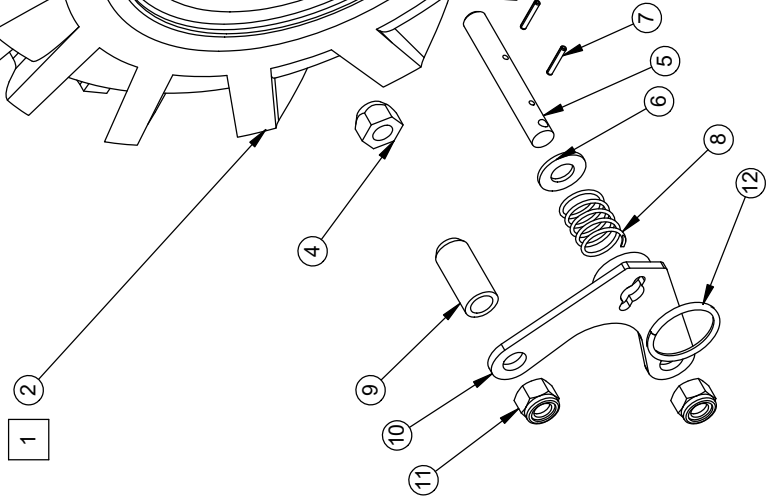
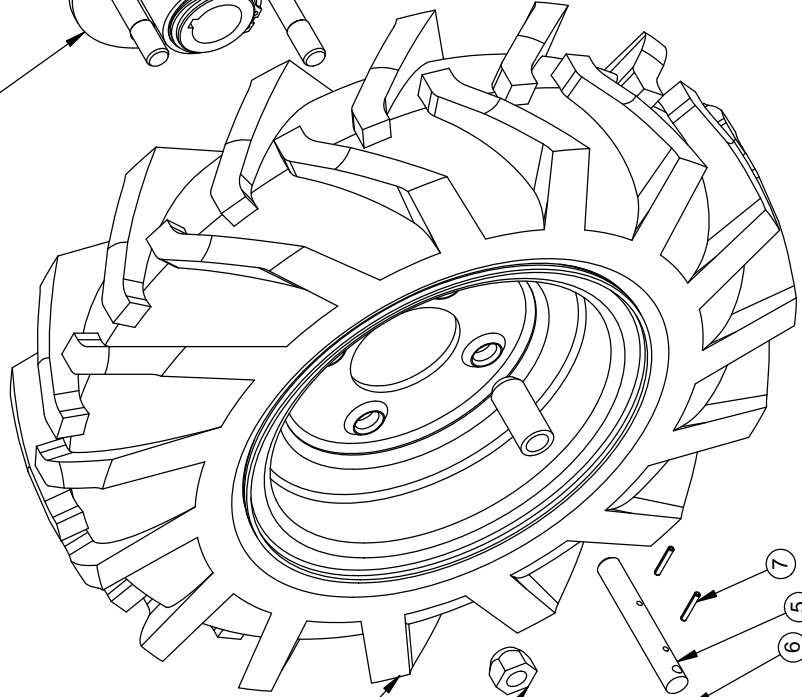
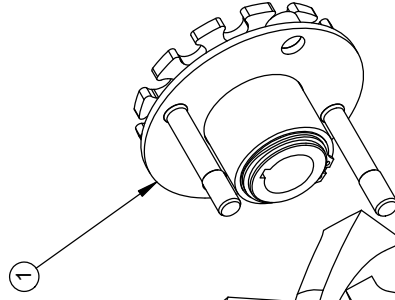
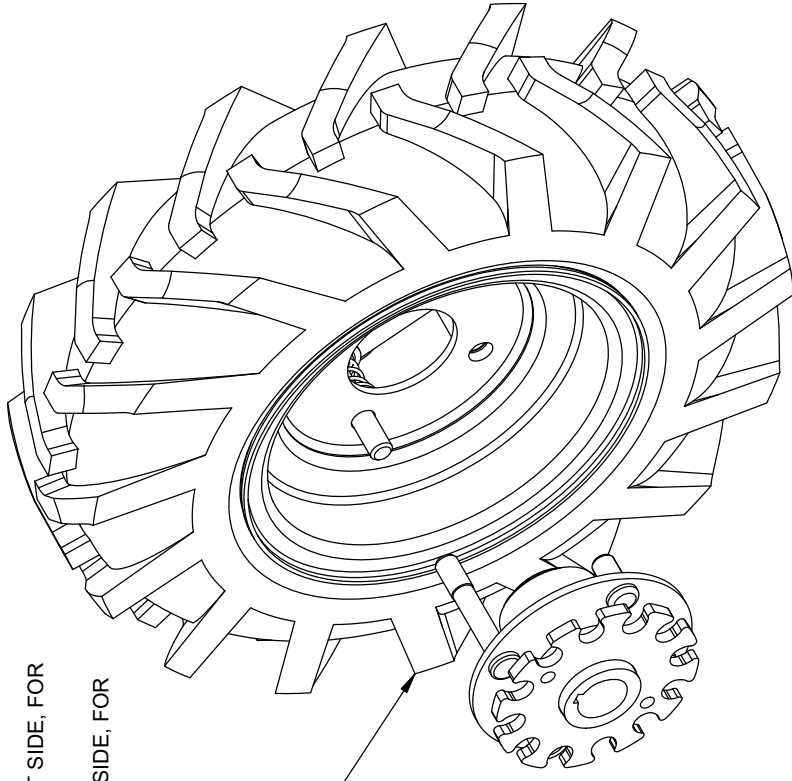
SHEET 1 OF 1

DWG# 00253 R2

| REF QTY. | PART NO.  | DESCRIPTION                               |
|----------|-----------|---|
| 1        | 02269-HUB | WHEEL HUB ASSY, 1-1/8" BORE               |
| 2        | 03190-FW  | TIRE & RIM, 16" X 4.80 X 8", LEFT HAND    |
| 3        | 03191-FW  | TIRE & RIM, 16" X 4.80 X 8", RIGHT HAND   |
| 4        | 05042     | NUT, LUG, 1/2-20 NF                       |
| 5        | 02068     | PIN, FREE WHEELING                        |
| 6        | 05102     | WASHER, 1/2 SAE ZINC HARDENED             |
| 7        | 05548     | ROLL PIN (SLOTTED SPRING), 1/8 X 3/4 ZINC |
| 8        | 03352     | SPRING, CENTURY 3385                      |
| 9        | 02083     | SPACER, WHEEL                             |
| 10       | 01077     | MOUNTING PLATE, PIN, FREE WHEELING        |
| 11       | 05075     | NUT, NYLOCK, 1/2-20 NF ZINC               |
| 12       | 03550     | SPLIT RING-27                             |

1 FOR TRENCHER, 03190-FW IS ON RIGHT SIDE, FOR TRENCHING IN REVERSE

2 FOR TRENCHER, 03191-FW IS ON LEFT SIDE, FOR TRENCHING IN REVERSE



NOTES:

1. RIM ALONE IS PART NO. 03712.  
TIRE ALONE IS PART NO. 03193.

2. USAGE: 1 OF 00256 R1 PER 912, 916 & 918.

# BARRETO

TITLE: FREE WHEELING HUBS AND WHEELS

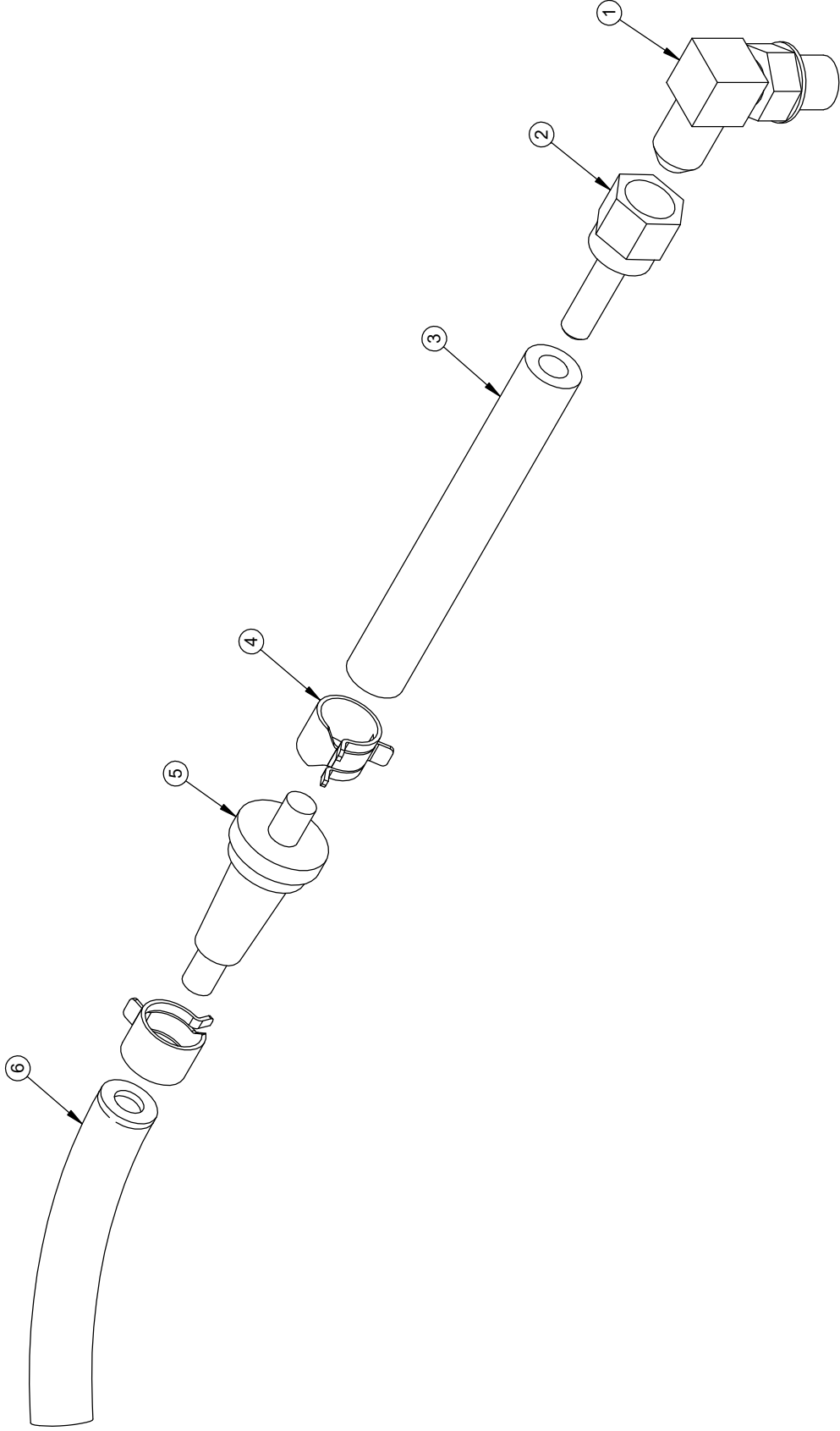
PRODUCT LINE: COMMON

DATE: 7/16/07

SCALE: 1:4

SHEET 1 OF 1 DWG# 00256 R1

| REF. | QTY. | PART NO. | DESCRIPTION                                 |
|------|------|----------|---|
| 1    | 1    | 04555    | FITTING, .6801-4-4                          |
| 2    | 1    | 04214    | FITTING, JS-4-4, HOSE BARB 1/4 X 1/4 SWIVEL |
| 3    | 1    | 11348    | HOSE, 1/4 INCH GASOLINE, 4L5, 3-1/2" LONG   |
| 4    | 2    | 03062-06 | CLAMP, 1/4" FUEL LINE                       |
| 5    | 1    | 04516    | BREATHER, FILTER SNAPPER 1435               |
| 6    | 1    | 11347    | HOSE, 1/4 INCH GASOLINE, 4L5, 3-1/4" LONG   |



# BARRETO

TITLE: BREATHER HOSE ASSEMBLY

PRODUCT LINE: 916      DATE: 4/26/07

SCALE: 1:1.3      DWG# 10189 R2  
SHEET 1 OF 1

## HOSES, 916 TILLER

| QTY. | PART NO. | DESCRIPTION   |
|------|----------|---|
| 1    | 10204    | HOSE, PUMP TO ACTUATOR TEE FITTING                  |
| 1    | 10205    | HOSE, CONTROL VALVE TO ACTUATOR TEE FITTING         |
| 1    | 10206    | HOSE, CONTROL VALVE TO OIL FILTER MOUNT             |
| 1    | 10207    | HOSE, CONTROL VALVE TO WHEEL DRIVE MOTOR FRONT PORT |
| 1    | 10208    | HOSE, CONTROL VALVE TO WHEEL DRIVE MOTOR REAR PORT  |
| 1    | 10209    | HOSE, CONTROL VALVE TO TINE MOTOR FRONT PORT        |
| 1    | 10210    | HOSE, CONTROL VALVE TO TINE MOTOR REAR PORT         |



## Recycling



**ENVIRONMENTAL PROTECTION:** Please recycle any unwanted materials as opposed to disposing them as general waste. It is recommended the original is retained and used to store the product when not in use for prolonged periods of time. If this is not applicable ensure the materials are sorted and recycled in accordance with local regulations.



**SPECIFICATION CHANGE:** It is our policy to continually improve products to ensure these meet the rigours of the industry we serve. Therefore, as such we reserve the right to alter specifications, data, components & parts with-out prior notice.

**WARRANTY:** Please refer to the manufactures terms & conditions.

**IMPORTANT:** No liability will be accepted for the incorrect use of this product.

### KEEP THIS BOOKLET FOR FUTURE REFERENCE

📞 Nottingham: 0115 946 1988 • London: 0208 830 3333    ✉ Nottingham: [sales@hscgroupuk.co.uk](mailto:sales@hscgroupuk.co.uk) • London: [sean@hscgroupuk.co.uk](mailto:sean@hscgroupuk.co.uk)    🌐 [www.hscgroupuk.co.uk](http://www.hscgroupuk.co.uk)

The Hire Supply Company Terms & Conditions Apply At All Time E&OE