



PARTS DRAWING

BARRETO

**9hp Hydraulic
Rear Tine Tiller**

**Product Code:
OOA900**



Serial Number Range:

From:

To:

Year Of Manufacture: 2013

***Please note, when ordering online via our website if the part number is not recognised,
please Email spares@hscgroupuk.co.uk or Telephone 0115 946 1988**

KEEP THIS BOOKLET FOR FUTURE REFERENCE

Nottingham: 0115 946 1988 • London: 0208 830 3333 ✉ Nottingham: sales@hscgroupuk.co.uk • London: sean@hscgroupuk.co.uk 🌐 www.hscgroupuk.co.uk

The Hire Supply Company Terms & Conditions Apply At All Time E&OE

THE
BARRETO
MODEL E916/918
HYDRAULIC REAR TINE TILLER
EXPLODED VIEWS WITH PART NUMBERS

CONGRATULATIONS!

You are now the proud owner of a BARRETO tiller. The following pages have detailed views of your tiller, along with corresponding part numbers. If you have any questions or need any replacement parts in the future, please contact us at your convenience. Our toll-free phone number, fax and email are listed below and parts may be ordered through any of these methods.

Thank you for your patronage and confidence in BARRETO equipment.

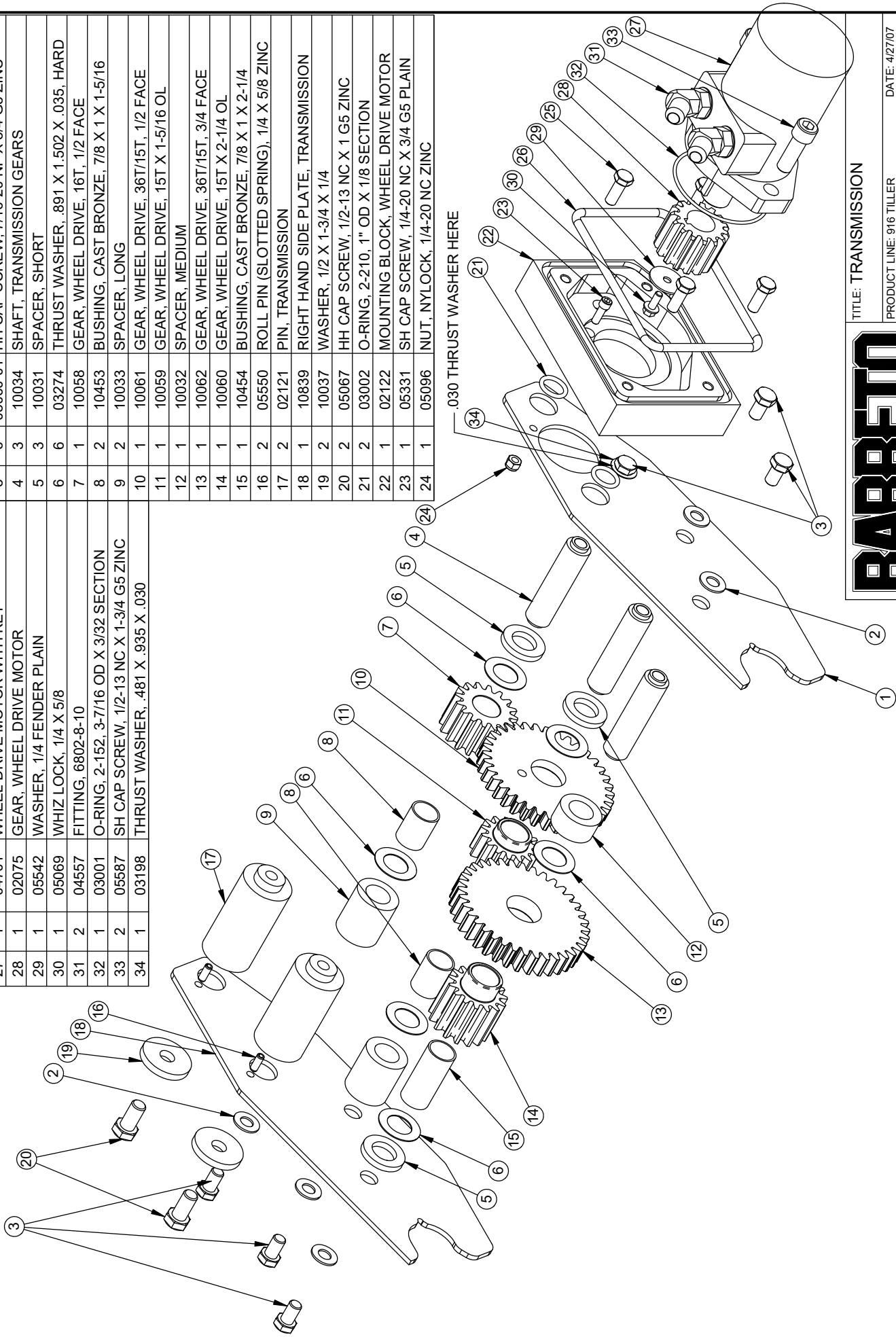
Barreto Manufacturing, Inc.
Innovative Equipment Engineered to Last
66498 Highway 203
La Grande, OR 97850
1-800-525-7348
1-541-963-6755 Fax
E-Mail: info@barretomfg.com
Web Site: <http://www.barretomfg.com>

Machine Identification Record

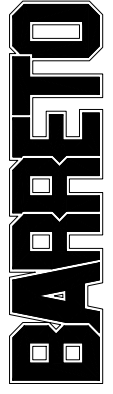
BARRETO Customer number _____
Machine model number _____
Machine serial number _____
Engine manufacturer _____
Engine model number _____
Engine serial number _____

REF. QTY.	PART NO.	DESCRIPTION	REF. QTY.	PART NO.	DESCRIPTION	
25	4	05059	HH CAP SCREW, 3/8-16 NC X 1 G5 ZINC	1	10840	LEFT HAND SIDE PLATE, TRANSMISSION
26	1	03915	O-RING, 2-438N70, 6-3/4 OD X 1/4 SECTION	2	05149	WASHER, 7/16 SAE ZINC
27	1	04701	WHEEL DRIVE MOTOR WITH KEY	3	05060-01	HH CAP SCREW, 7/16-20 NF X 3/4 G5 ZINC
28	1	02075	GEAR, WHEEL DRIVE MOTOR	4	10034	SHAFT, TRANSMISSION GEARS
29	1	05542	WASHER, 1/4 FENDER PLAIN	5	10031	SPACER, SHORT
30	1	05069	WHIZ LOCK, 1/4 X 5/8	6	03274	THRUST WASHER, .891 X 1.502 X .035, HARD
31	2	04557	FITTING, 6802-8-10	7	10058	GEAR, WHEEL DRIVE, 16T, 1/2 FACE
32	1	03001	O-RING, 2-152, 3-7/16 OD X 3/32 SECTION	8	10453	BUSHING, CAST BRONZE, 7/8 X 1 X 1-5/16
33	2	05587	SH CAP SCREW, 1/2-13 NC X 1-3/4 G5 ZINC	9	10033	SPACER, LONG
34	1	03198	THRUST WASHER, .481 X .935 X .030	10	10061	GEAR, WHEEL DRIVE, 36T/15T, 1/2 FACE

11	1	10059	GEAR, WHEEL DRIVE, 15T X 1-5/16 OL
12	1	10032	SPACER, MEDIUM
13	1	10062	GEAR, WHEEL DRIVE, 36T/15T, 3/4 FACE
14	1	10060	GEAR, WHEEL DRIVE, 15T X 2-1/4 OL
15	1	10454	BUSHING, CAST BRONZE, 7/8 X 1 X 2-1/4
16	2	05550	ROLL PIN (SLOTTED SPRING), 1/4 X 5/8 ZINC
17	2	02121	PIN, TRANSMISSION
18	1	10839	RIGHT HAND SIDE PLATE, TRANSMISSION
19	2	10037	WASHER, 1/2 X 1-3/4 X 1/4
20	2	05067	HH CAP SCREW, 1/2-13 NC X 1 G5 ZINC
21	2	03002	O-RING, 2-210, 1" OD X 1/8 SECTION
22	1	02122	MOUNTING BLOCK, WHEEL DRIVE MOTOR
23	1	05331	SH CAP SCREW, 1/4-20 NC X 3/4 G5 PLAIN
24	1	05096	NUT, NYLOCK, 1/4-20 NC ZINC

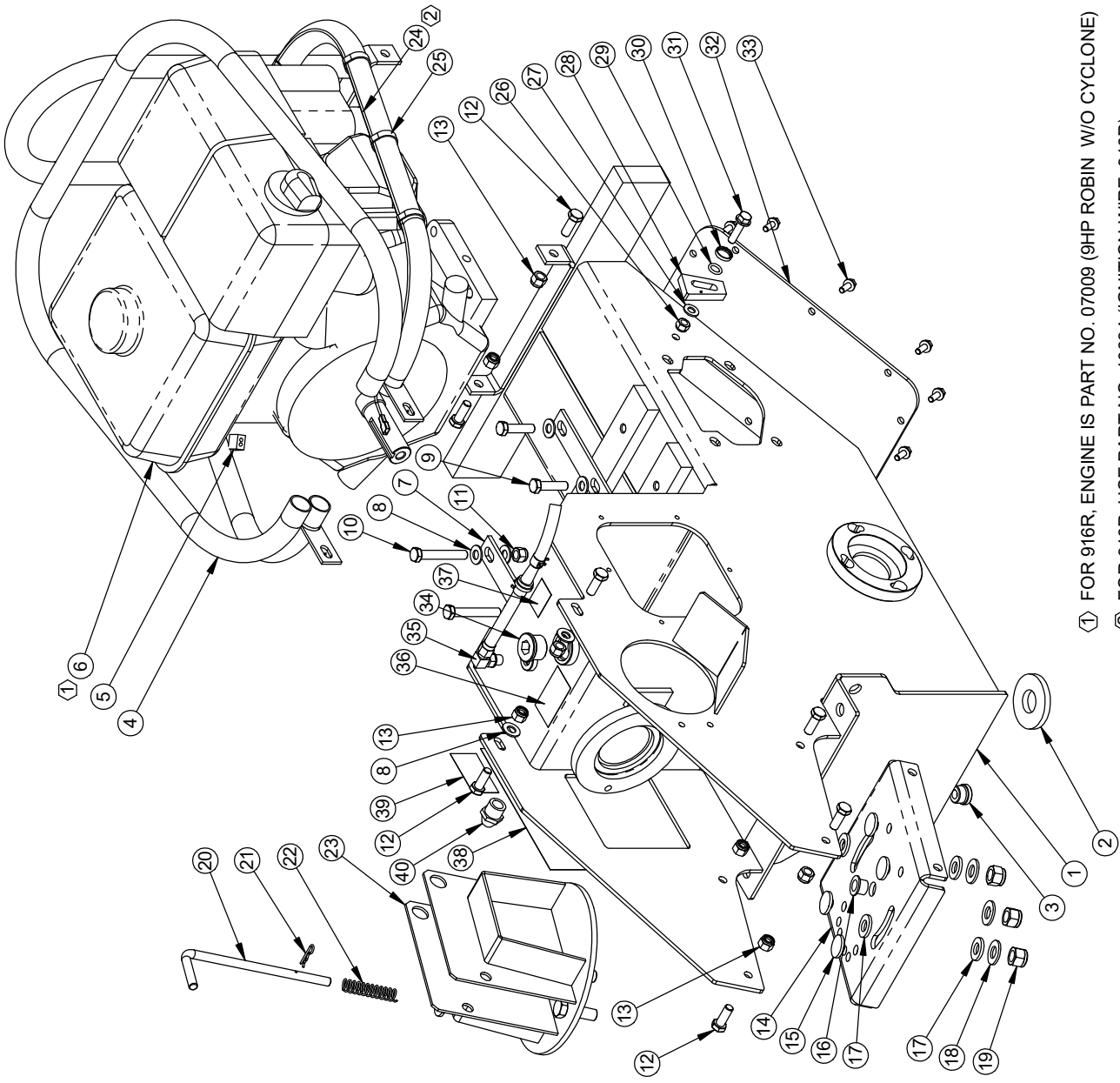


TITLE: TRANSMISSION



PRODUCT LINE: 916 TILLER DATE: 4/27/07
 SCALE: 1:4.3 SHEET 1 OF 1 DWG# 00237 R1

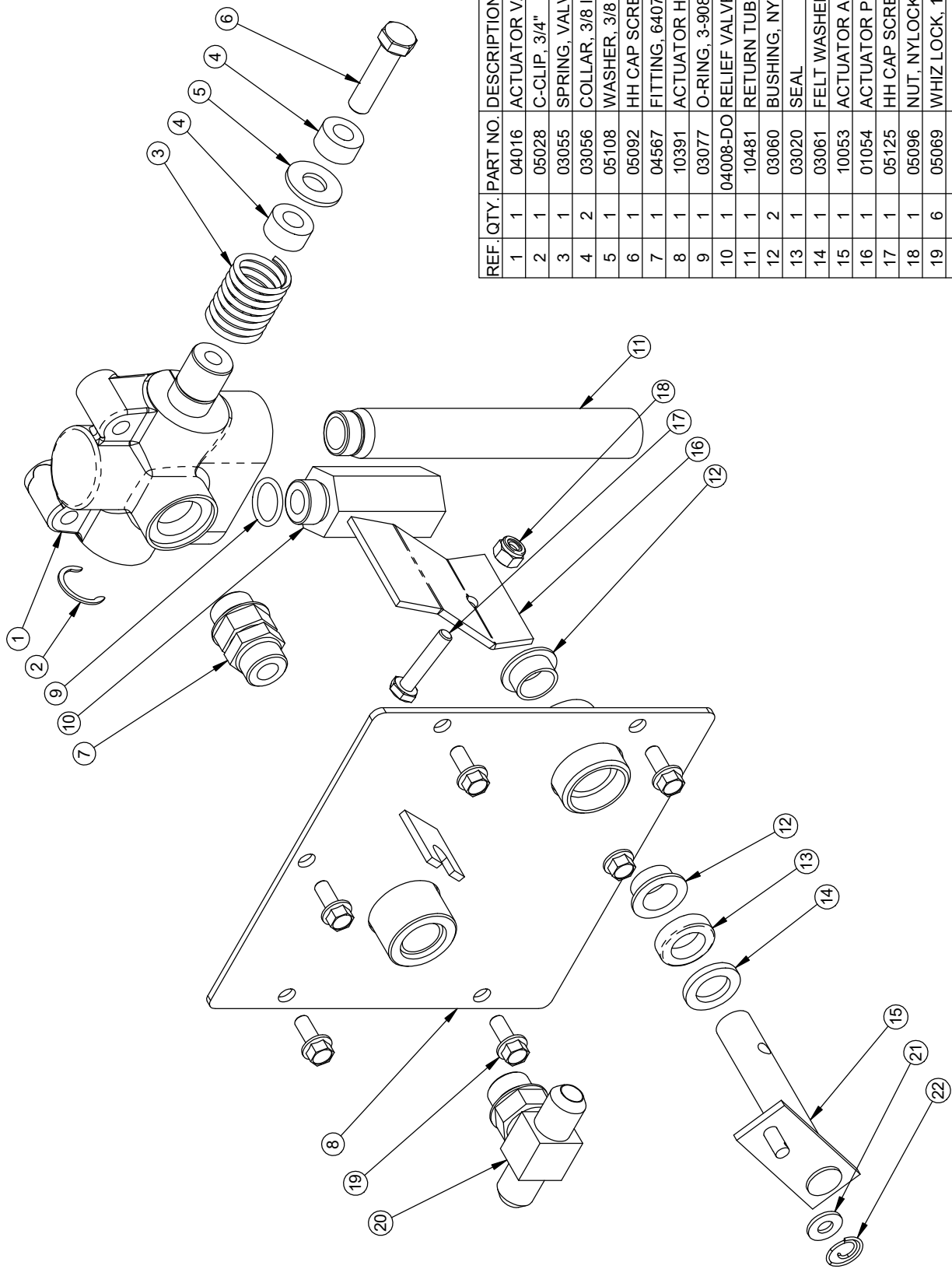
REF. QTY.	PART NO.	DESCRIPTION
1	10701	916 & 918 BODY, BOLT ON TORQUE TUBE
2	03520	MAGNET
3	10361	FITTING, 6409-8 PLUG
4	10188	ENGINE GUARD, 916
5	03806	QUICK-SPLICE
6	07006	ENGINE, 9 HP HONDA GX270
7	11188	SPACER, 9 HP ENGINES
8	05101	WASHER, 3/8 SAE ZINC
9	05092	HH CAP SCREW, 3/8-16 NC X 1-1/2 G5 ZINC
10	05284	HH CAP SCREW, 3/8-16 NC X 2-1/2 G8 ZINC
11	05073	NUT, NYLOCK, 3/8-16 NC
12	05056	HH CAP SCREW, 3/8-24 NF X 1 G5 ZINC
13	05072	NUT, NYLOCK, 3/8-24 NF
14	10035	MOUNTING PLATE, HANDLE BAR
15	10064	BUSHING, NYLATRON, 1" OD SOLID
16	03501	BUSHING, IGUS MFI-0810-08
17	10469	THRUST WASHER, .500 X 1.000 X .125 NYLATRON
18	05102	WASHER, 1/2 SAE ZINC HARDENED
19	05098	NUT, NYLOCK, 1/2-13 NC
20	10068	PIN, HANDLE BAR
21	03065	HAIR SPRING COTTER #4
22	03080	SPRING
23	10036	HANDLE BAR BRACKET
24	10558	IGNITION WIRE, 916
25	03035	TIE WRAP, 1/8 X 6
26	05273	NUT, NYLOCK, 5/16-18 NC
27	05068	WASHER, 5/16 SAE ZINC
28	10555	WEDGE
29	03907	O-RING, 2-111, 5/8 OD X 3/32 SECTION
30	02526	HOUSING, 2-111 O-RING & FLANGE SCREW
31	05138	HH FLANGE SCREW, 5/16-18 NC X 1-1/4 G8 ZINC
32	10056	ACCESS PLATE
33	05069	WHIZ LOCK, 1/4-20 UNC X 5/8
34	10526	FITTING, 6409-12 PLUG
35	10189 R2	BREATHER HOSE ASSEMBLY
36	03040-06	DECAL, "HYDRAULIC OIL ONLY"
37	03040-16	DECAL, "CE"
38	03040-11	DECAL, "BARRETO", 2-3/16 X 7-3/8
39	03040-57	DECAL, "HYDRAULIC OIL LEVEL"
40	03503	SIGHT GAUGE



- ① FOR 916R, ENGINE IS PART NO. 07009 (9HP ROBIN W/O CYCLONE)
- ② FOR 916R, USE PART NO. 10634 (IGNITION WIRE, 916R)

BARRETO

TITLE: BODY,
BOLT ON TORQUE TUBE
PRODUCT LINE: 916/18 DATE: 12/4/06
SCALE: 1:1.2 DWG# 00238 R4
SHEET 1 OF 1



REF. QTY.	PART NO.	DESCRIPTION
1	04016	ACTUATOR VALVE, O-RING PORTS
2	05028	C-CLIP, 3/4"
3	03055	SPRING, VALVE SPOOL RETURN
4	03056	COLLAR, 3/8 ID
5	05108	WASHER, 3/8 USS, ZINC
6	05092	HH CAP SCREW, 3/8-16 NC X 1-1/2 G5 ZINC
7	04567	FITTING, 6407-8-8
8	10391	ACTUATOR HOUSING PLATE
9	03077	O-RING, 3-908, -8 FITTINGS
10	04008-DO	RELIEF VALVE, 2750 POUND, O-RING
11	10481	RETURN TUBE, #8 O-RING
12	03060	BUSHING, NYLON, IGUS MFI-1012-06
13	03020	SEAL
14	03061	FELT WASHER, 5/8 X 1 X 1/8
15	10053	ACTUATOR ARM
16	01054	ACTUATOR PLATE
17	05125	HH CAP SCREW 1/4-20 NC X 1-1/4 G5 ZINC
18	05096	NUT, NYLOCK, 1/4-20 NC
19	05069	WHIZ LOCK, 1/4-20 UNC X 5/8
20	04017	FITTING, 6803-8-8-8
21	05081	WASHER, 1/4 SAE ZINC
22	05039	CIRCLE COTTER CC-3

BARRETO

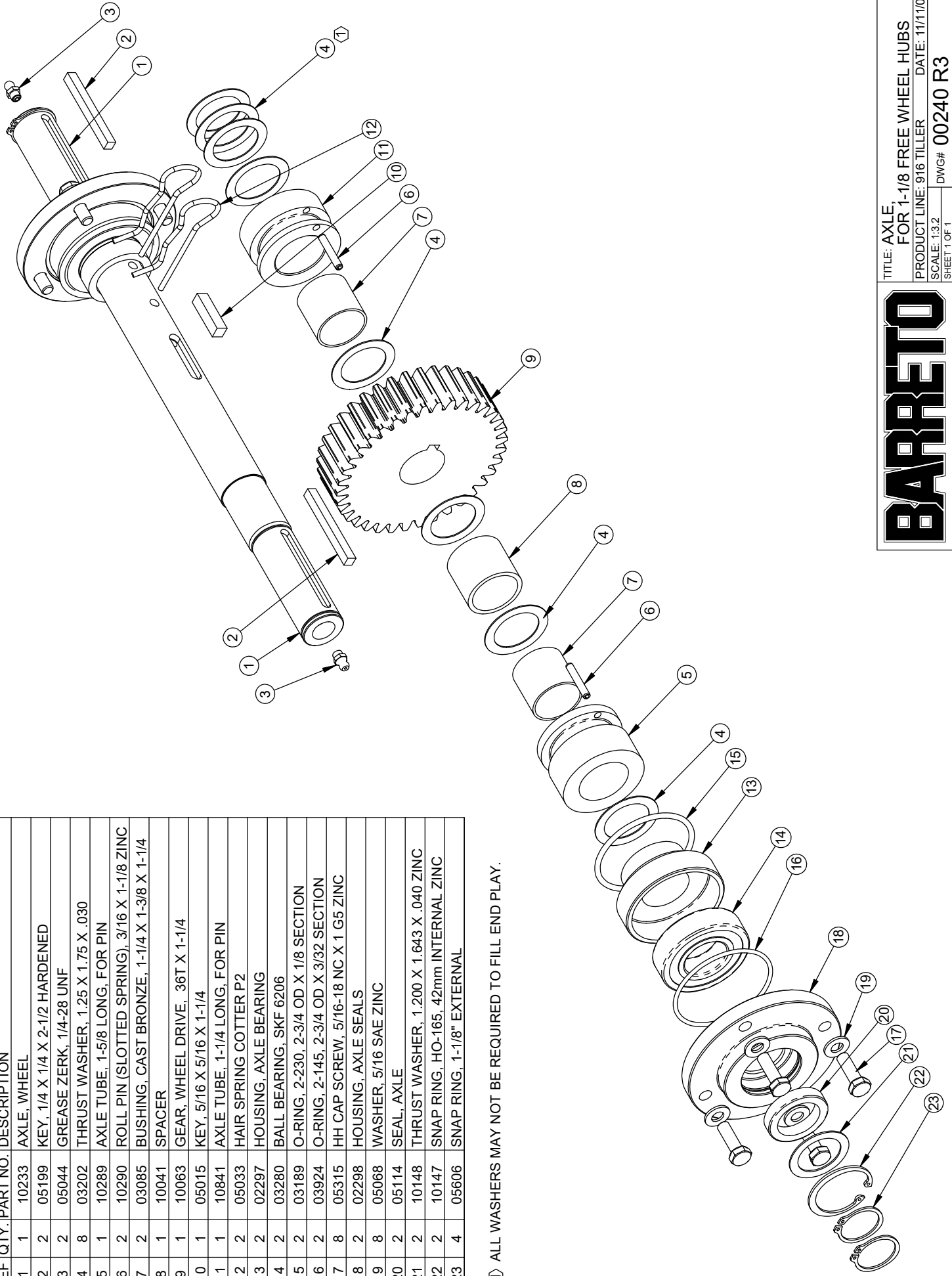
TITLE: ACTUATOR VALVE

PRODUCT LINE: 916 TILLER DATE: 3/31/06

SCALE: 1:2.5 DWG# 00239 R3
SHEET 1 OF 1

REF	QTY.	PART NO.	DESCRIPTION
1	1	10233	AXLE, WHEEL
2	2	05199	KEY, 1/4 X 1/4 X 2-1/2 HARDENED
3	2	05044	GREASE ZERK, 1/4-28 UNF
4	8	03202	THRUST WASHER, 1.25 X 1.75 X .030
5	1	10289	AXLE TUBE, 1-5/8 LONG, FOR PIN
6	2	10290	ROLL PIN (SLOTTED SPRING), 3/16 X 1-1/8 ZINC
7	2	03085	BUSHING, CAST BRONZE, 1-1/4 X 1-3/8 X 1-1/4
8	1	10041	SPACER
9	1	10063	GEAR, WHEEL DRIVE, 36T X 1-1/4
10	1	05015	KEY, 5/16 X 5/16 X 1-1/4
11	1	10841	AXLE TUBE, 1-1/4 LONG, FOR PIN
12	2	05033	HAIR SPRING COTTER P2
13	2	02297	HOUSING, AXLE BEARING
14	2	03280	BALL BEARING, SKF 6206
15	2	03189	O-RING, 2-230, 2-3/4 OD X 1/8 SECTION
16	2	03924	O-RING, 2-145, 2-3/4 OD X 3/32 SECTION
17	8	05315	HH CAP SCREW, 5/16-18 NC X 1 G5 ZINC
18	2	02298	HOUSING, AXLE SEALS
19	8	05068	WASHER, 5/16 SAE ZINC
20	2	05114	SEAL, AXLE
21	2	10148	THRUST WASHER, 1.200 X 1.643 X .040 ZINC
22	2	10147	SNAP RING, HO-165, 42mm INTERNAL ZINC
23	4	05606	SNAP RING, 1-1/8" EXTERNAL

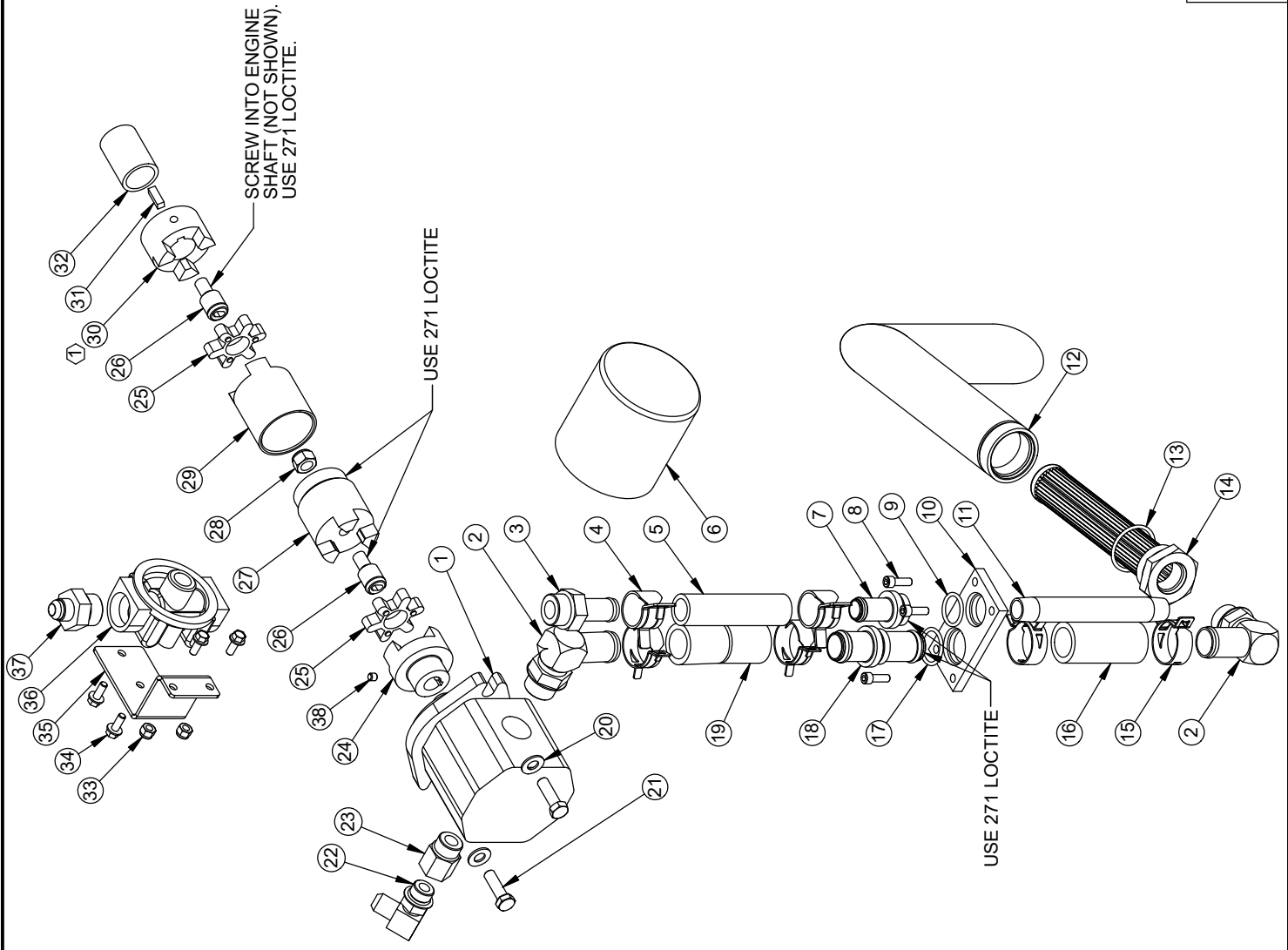
① ALL WASHERS MAY NOT BE REQUIRED TO FILL END PLAY.



BARRETO

TITLE: AXLE,
FOR 1-1/8 FREE WHEEL HUBS
PRODUCT LINE: 916 TILLER DATE: 11/11/08
SCALE: 1:3.2
SHEET 1 OF 1 DWG# 00240 R3

REF	QTY.	PART NO.	DESCRIPTION
1	1	04004-A	PUMP, HYDRAULIC
2	2	04530	FITTING, 4601-16-12
3	1	04219	FITTING, 4604-12-12
4	2	05008	CLAMP, 1" HOSE, CTB-29
5	1	10796	HOSE, RETURN TO TANK
6	1	03951	FILTER, HYDRAULIC OIL, WITH BY-PASS
7	1	10853	FITTING, 3/4 HOSE BIB, 1/2 NPT
8	4	05611	SH CAP SCREW, 1/4-20 NC X 3/4 ZINC
9	1	03075	O-RING, 3-912N90, -12 FITTINGS
10	1	10851	MOUNTING PLATE, HOSE BIB FITTINGS
11	1	01020	PIPE NIPPLE, 1/2 X 6, SCH 40
12	1	10860	SUCTION TUBE, #20 O-RING
13	1	03293	O-RING, 3-920N90, -20 FITTINGS
14	1	10247	SUMP SCREEN #20 EXT #12 INT O-RING
15	4	05225	CLAMP, 1-1/2" HOSE, CTB-36 ST
16	1	10184	HOSE, SUMP SCREEN
17	1	10855	O-RING, 3-914N90, -14 FITTINGS
18	1	10852	FITTING, 1" HOSE BIBS
19	1	10854	HOSE, PUMP INTAKE
20	2	05101	WASHER, 3/8 SAE ZINC
21	2	05091	HH CAP SCREW, 3/8-16 NC X 1-1/4 G5 ZINC
22	1	04554	FITTING, 6801-8-8
23	1	04209	FITTING, 6410-10-8
24	1	10747	JAW COUPLER, PUMP. 5/8 BORE
25	2	03022	SPIDER, RUBBER
26	2	10738	PILOT
27	1	10737	COUPLER SHAFT, PUMP SIDE
28	1	05077	NUT, NYLOCK, 7/16-20 NF ZINC
29	1	10739	COUPLER SHAFT, ENGINE SIDE
30	1	03023	JAW COUPLER, 1" BORE L095
31	1	05014	KEY, 1/4 X 1/4 X 3/4
32	1	10180	SPACER, ENGINE SHAFT
33	2	05096	NUT, NYLOCK, 1/4-20 NC ZINC
34	4	05069	WHIZ LOCK, 1/4-20 NC X 5/8 ZINC
35	1	10798	BRACKET, FILTERHEAD
36	1	04403	FILTER HEAD, #12 O-RING
37	1	10808	FITTING, 6400-8-12
38	1	05143	SET SCREW, .25 NF X .25 CUP

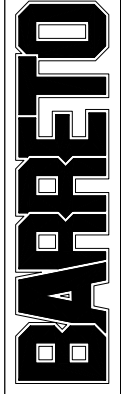


NOTES:

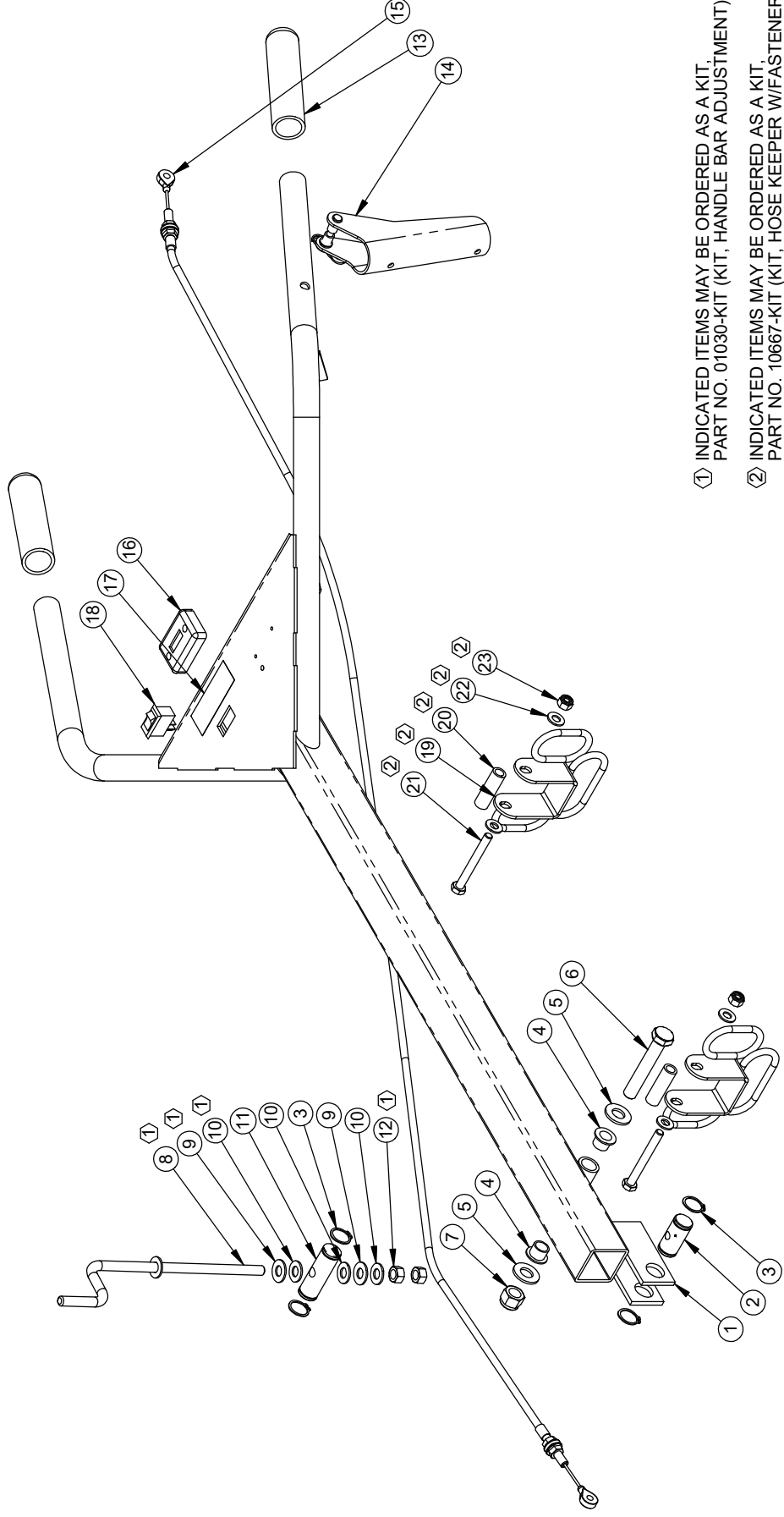
- ① COMES WITH SET SCREW. REPLACEMENT SET SCREW IS 5/16 X 5/16, PART NO. 05127.

TITLE: PUMP

PRODUCT LINE: 916	DATE: 2/15/06
SCALE: 1:5.6	DWG# 00241 R3
SHEET 1 OF 1	



REF. QTY.	PART NO.	DESCRIPTION	REF. QTY.	PART NO.	DESCRIPTION
1	01017	HANDLE BARS	13	03032-01	GRIP, 1 X 5 (P/N 03032 IS A PAIR)
2	02027-L	HANDLE BAR ADJUSTER PIN, LOWER	14	03029	LEVER ASSEMBLY (COMPLETE)
3	05216	SNAP RING, 3/4 EXTERNAL	15	10057	CABLE ACTUATOR
4	03501	BUSHING, IGUS MFI-0810-08	16	03009	HOUR METER - COMPLETE KIT
5	05102	WASHER, 1/2 SAE ZINC HARDENED	17	03341-07	DECAL, "IGNITION OFF/ON"
6	05093	HH CAP SCREW, 1/2-13 NC X 3 G5 ZINC	18	06420	ROCKER SWITCH, IGNITION OFF/ON
7	05098	NUT, NYLOCK, 1/2-13 NC	19	10667	HOSE KEEPER
8	01030	CRANK, HANDLE BAR ADJUSTMENT	20	10668	SPACER, HOSE KEEPER
9	05058	WASHER, 3/8 NYLON	21	05065	HH CAP SCREW, 5/16-18 NC X 2-3/4 G5 ZINC
10	05103	WASHER, 3/8 A325 HARDENED ZINC	22	05068	WASHER, 5/16 SAE ZINC
11	02027-U	PIN, HANDLE BAR ADJUSTMENT, UPPER	23	05273	NUT, NYLOCK, 5/16-18 NC
12	05269	NUT, 3/8-16 NC GRB ZINC			



① INDICATED ITEMS MAY BE ORDERED AS A KIT,
PART NO. 01030-KIT (KIT, HANDLE BAR ADJUSTMENT).

② INDICATED ITEMS MAY BE ORDERED AS A KIT,
PART NO. 10667-KIT (KIT, HOSE KEEPER W/FASTENERS).

BARRETO

TITLE: HANDLE BARS & CRANK

PRODUCT LINE: 916

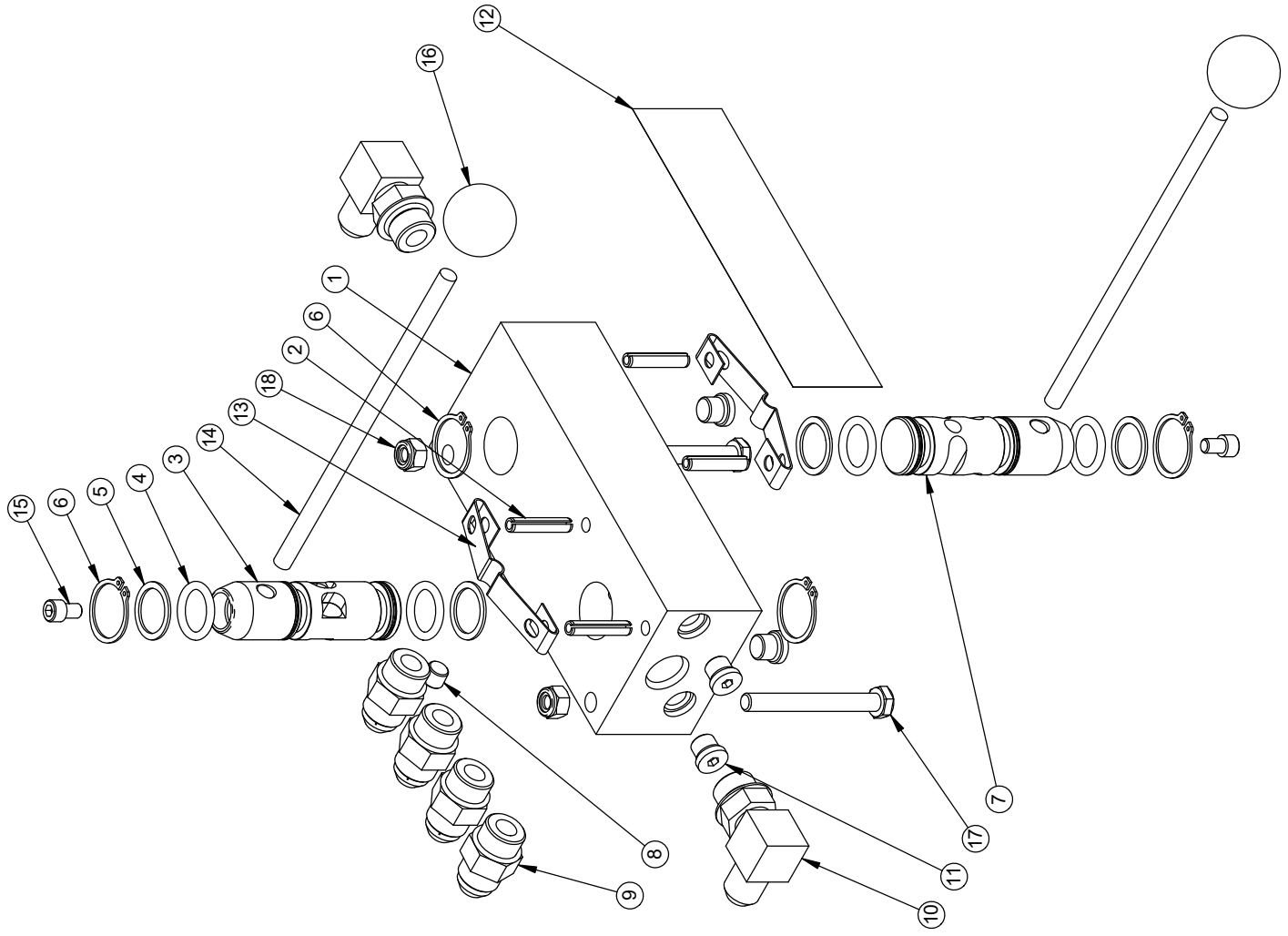
1/16/07

SCALE: 1:6.2

DWG# 00250 R1

SHEET 1 OF 1

REF	QTY.	PART NO.	DESCRIPTION
1	1	04010	CONTROL VALVE BODY (ORDER 04010-K)
2	4	05200	ROLL PIN (SLOTTED SPRING), 1/4 X 1-1/4 ZINC
3	1	04015-D	VALVE SPOOL, TINES (ORDER 04010-K)
4	4	03002	O-RING, 2-210, 1" OD X 1/8 SECTION
5	4	03025	BACK-UP RING, 1" TEFLON
6	4	05010	SNAP RING, 1" EXTERNAL
7	1	04015-C	VALVE SPOOL, WHEEL DRIVE (ORDER 04010-K)
8	1	05023	PIPE PLUG, 1/8"
9	4	04520	FITTING, 6400-8-8
10	2	04554	FITTING, 6801-8-8
11	4	03300	FITTING, 6409-4 PLUG
12	1	03040	DECAL, CONTROL VALVE
13	2	03027	DETENT SPRING
14	2	02017	HANDLE, 5/16 X 7
15	2	05573	SH CAP SCREW, 1/4-20 NC X 3/8 ZINC
16	2	03026	KNOB, 5/16-NC
17	2	05065	HH CAP SCREW, 5/16-18 NC X 2-3/4 G5 ZINC
18	2	05273	NUT, NYLOCK, 5/16-18 NC ZINC



TITLE: CONTROL VALVE

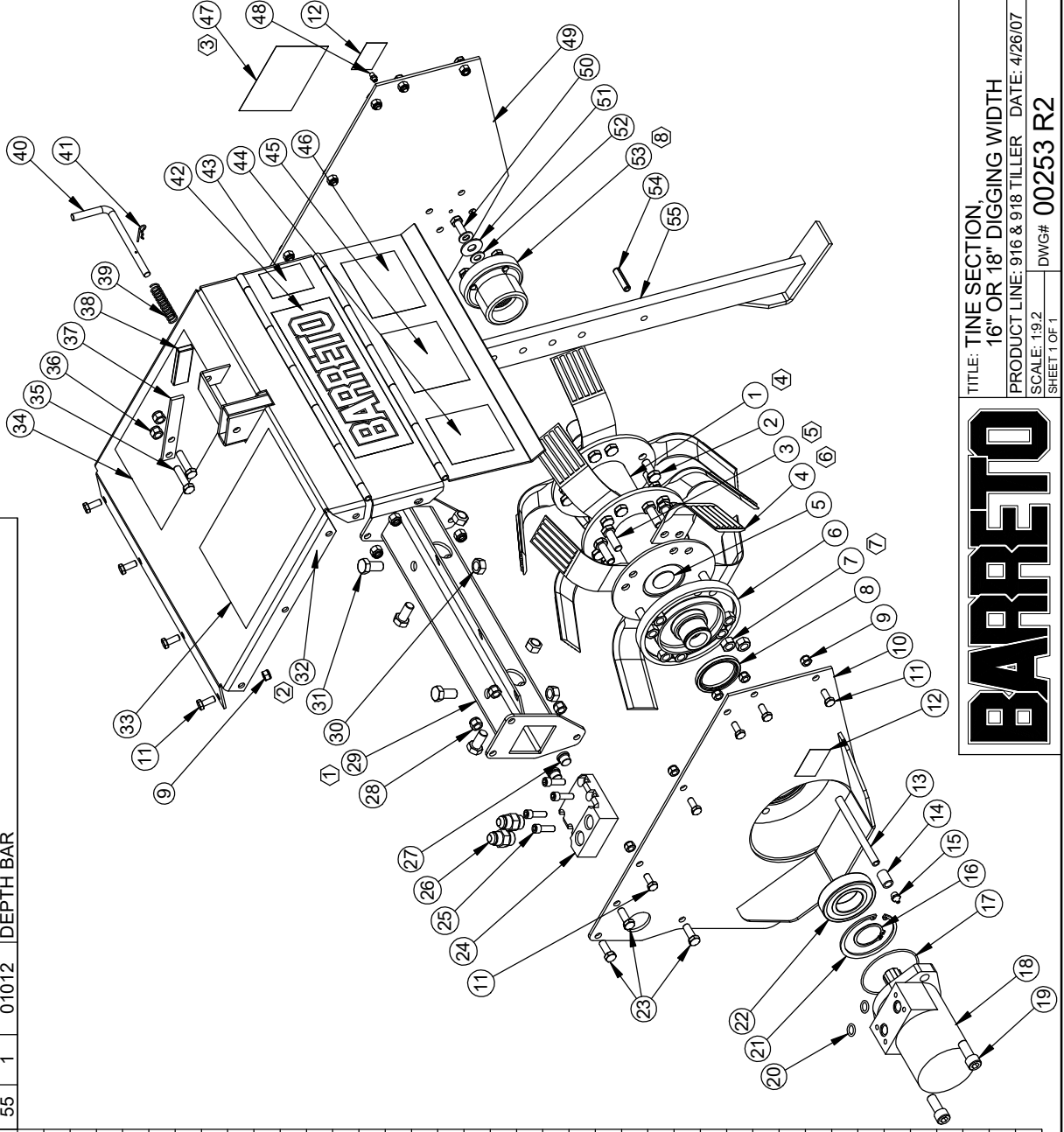


PRODUCT LINE: 916 DATE: 4/26/07

SCALE: 1:3 SHEET 1 OF 1 DWG# 00251 R1

REF. QTY.	PART NO.	DESCRIPTION	REF. QTY.	PART NO.	DESCRIPTION
1	11279	TINE SHAFT	48	05044	GREASE ZERK, 1/4-28 UNF
2	05061	HH CAP SCREW, 7/16-20 NF X 1 G8 ZINC	49	10146	SIDE PLATE, RH TINE SECTION
3	05063	HH CAP SCREW, 7/16-20 NF X 1-1/4 G8 ZINC	50	05059	HH CAP SCREW, 3/8-16 NC X 1 G5 ZINC
4	03196	TINE, REVERSIBLE	51	05083	WASHER, 7/16 USS ZINC
5	03928	SOFT PLUG, 1-1/4 DIA	52	05103	WASHER, 3/8 A325 HARDENED ZINC
6	11278	TINE MOTOR HUB, SPLINED	53	10144	OUTBOARD BEARING ASSEMBLY
7	05074	NUT, 7/16-20 NF G8 ZINC	54	05006	ROLL PIN (SLOTTED SPRING), 3/8 X 1-1/2 ZINC
8	03930	SEAL, CR 19763	55	01012	DEPTH BAR
9	05071	NUT, NYLOCK, 5/16-24 NF ZINC			
10	01067	TINE MOTOR MOUNT & LH SIDE PLATE			
11	05052	HH CAP SCREW, 5/16-24 NF X 3/4 G5 ZINC			
12	03040-04	DECAL, "GREASE DAILY"			
13	05282	PIPE NIPPLE, 1/8" X 5 LONG			
14	05204	PIPE COUPLER, 1/8"			
15	05256	GREASE ZERK, 1/8 NPT			
16	05607	SNAP RING, SH-156, 1-9/16" EXTERNAL			
17	03001	O-RING, 2-152, 3-7/16 OD X 3/32 SECTION			
18	04605-F	TINE MOTOR			
19	05585	SH CAP SCREW, 1/2-13 NC X 1-1/4 G5 ZINC			
20	03926	O-RING, 2-112N90, 11/16 OD X 3/32 SECTION			
21	05603	SNAP RING, HO-315, 3-5/32 INTERNAL			
22	03943	BALL BEARING, SKF 6208			
23	05056	HH CAP SCREW, 3/8-24 NF X 1 G5 ZINC			
24	02065	MANIFOLD, TINE MOTOR			
25	05572	SH CAP SCREW, 5/16-18 NC X 1 G5 ZINC			
26	04520	FITTING, 6400-8-8			
27	03302	FITTING, 6409-6 PLUG			
28	05072	NUT, NYLOCK, 3/8-24 NF ZINC			
29	10702	TORQUE TUBE, 17" BOLT ON			
30	05046	NUT, GRIPCO, 1/2-13 NC G5 ZINC			
31	05067	HH CAP SCREW, 1/2-13 NC X 1 G5 ZINC			
32	10067	TINE COVER, 916			
33	03341-22	DECAL, "TILLER OPERATING INSTRUCTIONS"			
34	03341-23	DECAL, "TILLER SAFETY INSTRUCTIONS"			
35	05092	HH CAP SCREW, 3/8-16 NC X 1-1/2 G5 ZINC			
36	05073	NUT, NYLOCK, 3/8-16 NC ZINC			
37	01099	HANDLE, DEPTH BAR			
38	03018	GRIP, 1/8 X 3/4 X 2-3/4			
39	03080	SPRING			
40	01018	PIN, DEPTH BAR			
41	03065	HAIR SPRING COTTER #4			
42	03040-02	DECAL, "BARRETO", 3-1/2 X 11-1/4			
43	03040-01	DECAL, "MADE IN USA"			
44	03040-08	DECAL, "WARNING" (YELLOW)			
45	03040-03	DECAL, "CAUTION" (BLACK & WHITE)			
46	03040-07	DECAL, "CAUTION" (YELLOW)			
47	04340	DECAL, "916"			

- ① FOR 918, USE PART NO. 10706 (TORQUE TUBE, 19")
 ② FOR 918, USE PART NO. 01066 (TINE COVER, 918)
 ③ FOR 918, USE PART NO. 03040-51 (DECAL, "918")
 ④ FOR 918, USE PART NO. 11281 (TINE SHAFT, 918)
 ⑤ PART NO. 05063-24 IS A SET OF 24 PIECES.
 ⑥ PART NO. 03196-12 IS A SET OF 12 PIECES.
 ⑦ PART NO. 05074-24 IS A SET OF 24 PIECES.
 ⑧ REFERENCE DWG. 10144 FOR INDIVIDUAL PARTS.



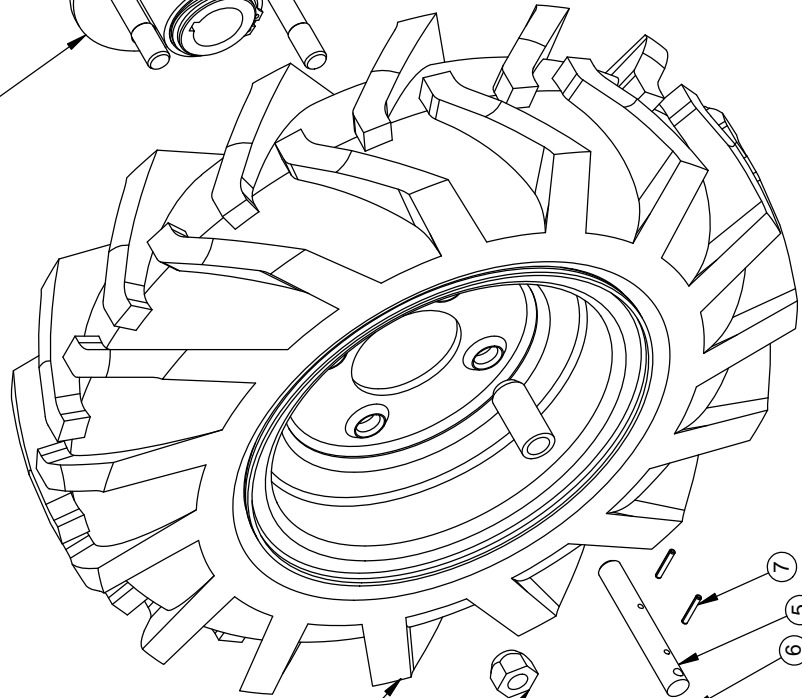
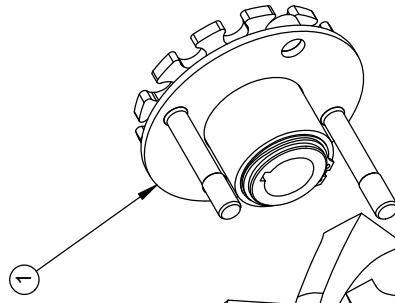
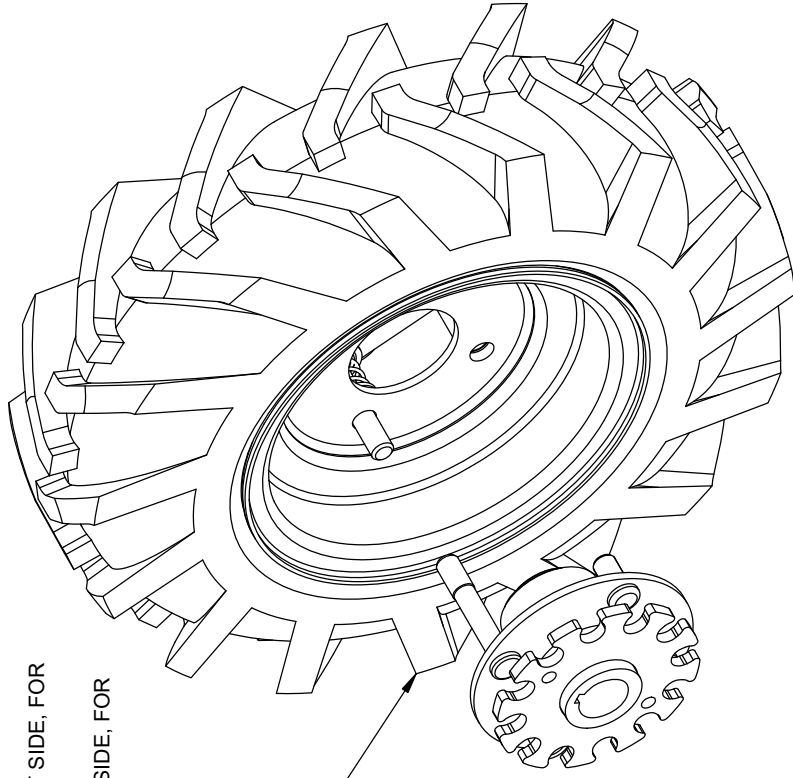
BARRETO

TITLE: TINE SECTION,
 16" OR 18" DIGGING WIDTH
 PRODUCT LINE: 916 & 918 TILLER DATE: 4/26/07
 SCALE: 1:9.2
 SHEET 1 OF 1 DWG# 00253 R2

REF	QTY.	PART NO.	DESCRIPTION
1	2	02269-HUB	WHEEL HUB ASSY, 1-1/8" BORE
2	1	03190-FW	TIRE & RIM, 16" X 4.80 X 8", LEFT HAND
3	1	03191-FW	TIRE & RIM, 16" X 4.80 X 8", RIGHT HAND
4	2	05042	NUT, LUG, 1/2-20 NF
5	2	02068	PIN, FREE WHEELING
6	2	05102	WASHER, 1/2 SAE ZINC HARDENED
7	4	05548	ROLL PIN (SLOTTED SPRING), 1/8 X 3/4 ZINC
8	2	03352	SPRING, CENTURY 3385
9	4	02083	SPACER, WHEEL
10	2	01077	MOUNTING PLATE, PIN, FREE WHEELING
11	4	05075	NUT, NYLOCK, 1/2-20 NF ZINC
12	2	03550	SPLIT RING-27

1 FOR TRENCHER, 03190-FW IS ON RIGHT SIDE, FOR TRENCHING IN REVERSE

2 FOR TRENCHER, 03191-FW IS ON LEFT SIDE, FOR TRENCHING IN REVERSE



NOTES:

1. RIM ALONE IS PART NO. 03712.
TIRE ALONE IS PART NO. 03193.

2. USAGE: 1 OF 00256 R1 PER 912, 916 & 918.

BARRETO

TITLE: FREE WHEELING HUBS AND WHEELS

PRODUCT LINE: COMMON

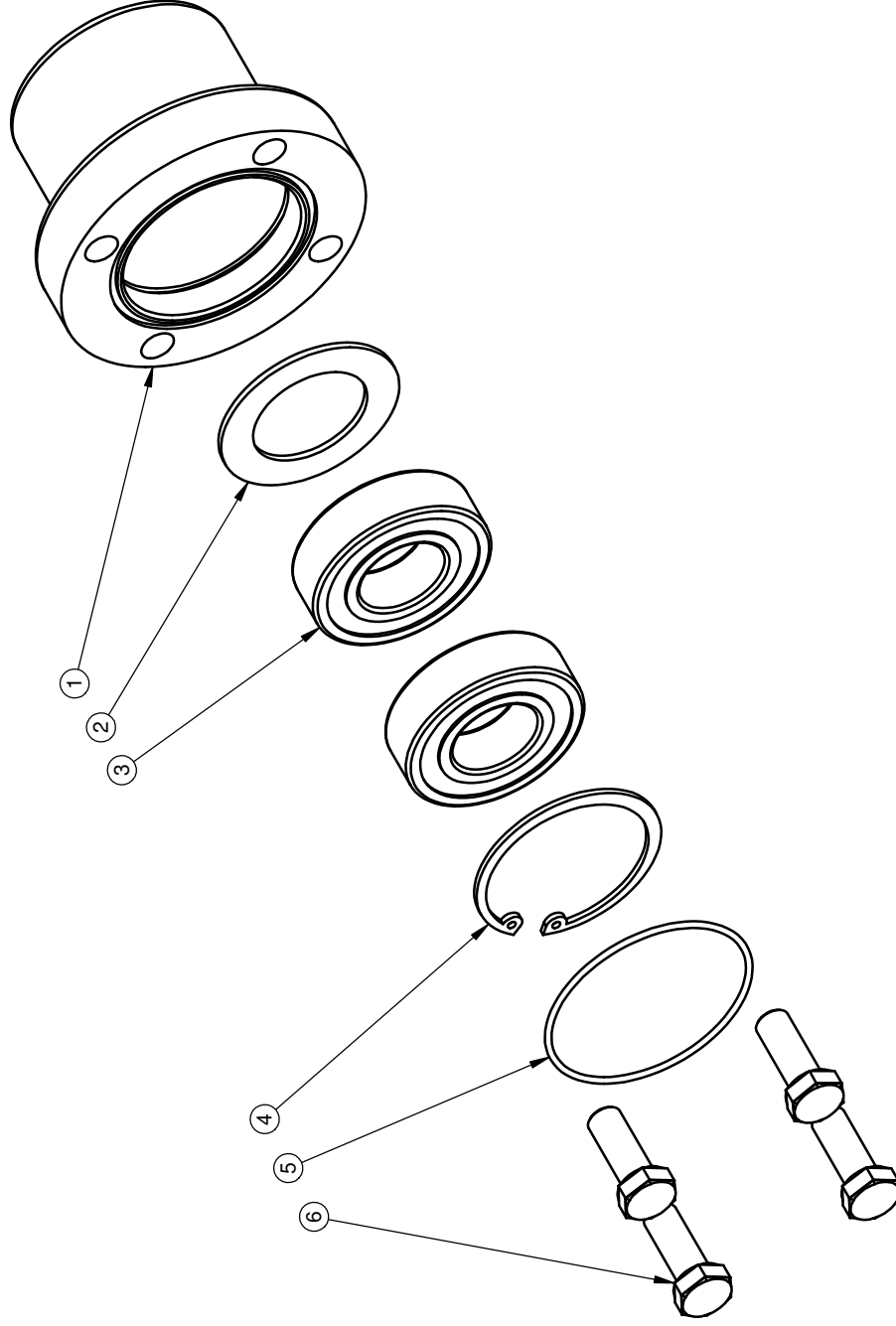
SCALE: 1:4

DATE: 7/16/07

SHEET 1 OF 1

DWG# 00256 R1

REF QTY.	PART NO.	DESCRIPTION
1	10142	OUTBOARD BEARING HOUSING, 4 BOLT
2	01026	SHIELD, OUTBOARD BEARING
3	03043	BALL BEARING, 6205
4	05024	SNAP RING, HO-200, 2" INTERNAL
5	03904	O-RING, 2-035, 2-3/8 OD X 1/16 SECTION
6	05059	HH CAP SCREW, 3/8-16 NC X 1 G5 ZINC



TITLE: OUTBOARD BEARING ASSEMBLY,
4 BOLT

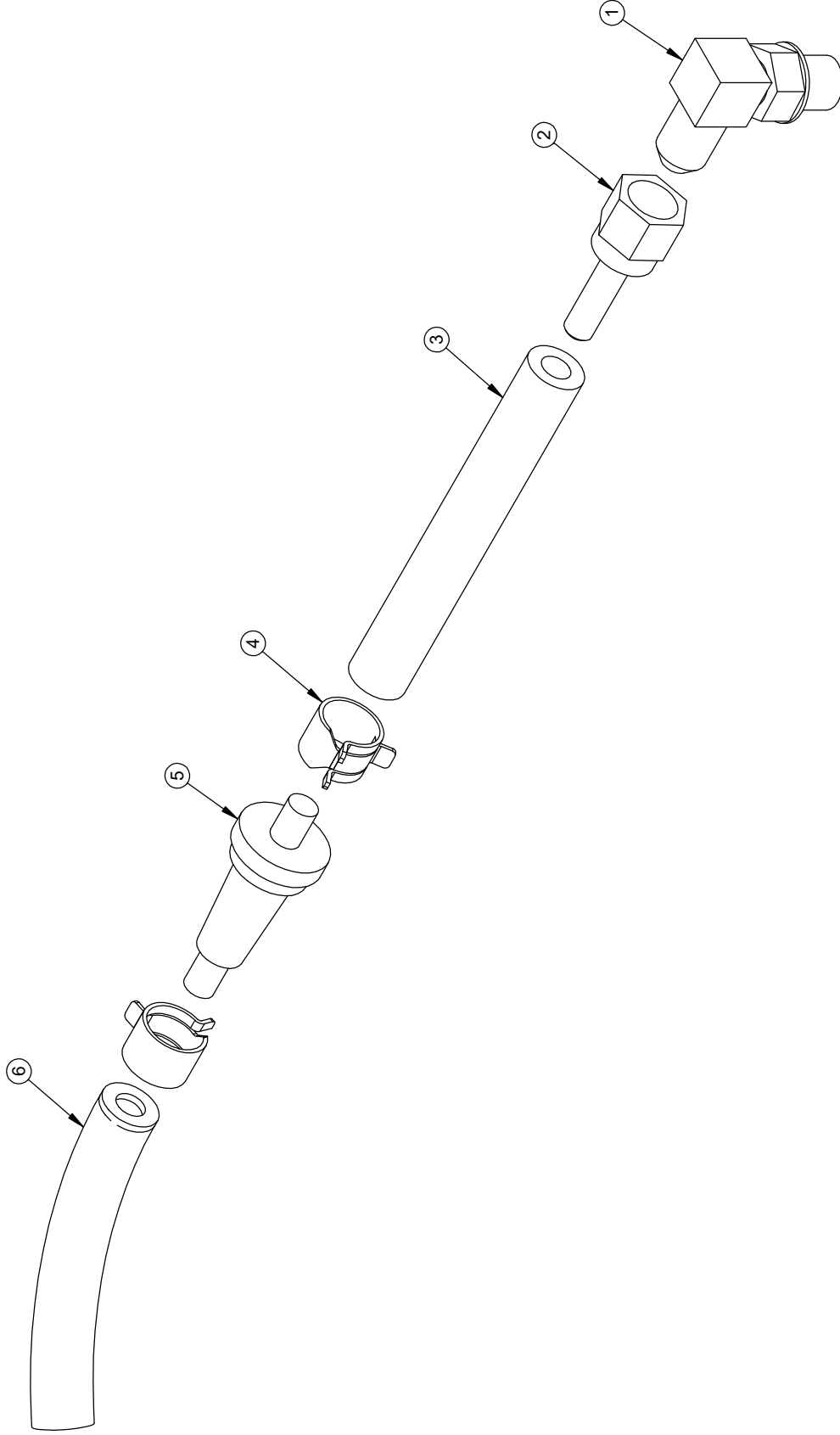
PRODUCT LINE: COMMON DATE: 3/2/04

SCALE: 1:2

SHEET 1 OF 1 DWG# 10144

BARRETO

REF. QTY.	PART NO.	DESCRIPTION
1	04555	FITTING, 6801-4-4
2	04214	FITTING, JS-4-4, HOSE BARB 1/4 X 1/4 SWIVEL
3	11348	HOSE, 1/4 INCH GASOLINE, 4L5, 3-1/2" LONG
4	03062-06	CLAMP, 1/4" FUEL LINE
5	04516	BREATHER, FILTER SNAPPER 1435
6	11347	HOSE, 1/4 INCH GASOLINE, 4L5, 3-1/4" LONG



BARRETO

TITLE: BREATHER HOSE ASSEMBLY

PRODUCT LINE: 916

DATE: 4/26/07

SCALE: 1:1.3

DWG# 10189 R2

SHEET 1 OF 1

HOSES, 916 TILLER

QTY.	PART NO.	DESCRIPTION
1	10204	HOSE, PUMP TO ACTUATOR TEE FITTING
1	10205	HOSE, CONTROL VALVE TO ACTUATOR TEE FITTING
1	10206	HOSE, CONTROL VALVE TO OIL FILTER MOUNT
1	10207	HOSE, CONTROL VALVE TO WHEEL DRIVE MOTOR FRONT PORT
1	10208	HOSE, CONTROL VALVE TO WHEEL DRIVE MOTOR REAR PORT
1	10209	HOSE, CONTROL VALVE TO TINE MOTOR FRONT PORT
1	10210	HOSE, CONTROL VALVE TO TINE MOTOR REAR PORT



Recycling



ENVIRONMENTAL PROTECTION: Please recycle any unwanted materials as opposed to disposing them as general waste. It is recommended the original is retained and used to store the product when not in use for prolonged periods of time. If this is not applicable ensure the materials are sorted and recycled in accordance with local regulations.



SPECIFICATION CHANGE: It is our policy to continually improve products to ensure these meet the rigours of the industry we serve. Therefore, as such we reserve the right to alter specifications, data, components & parts with-out prior notice.

WARRANTY: Please refer to the manufactures terms & conditions.

IMPORTANT: No liability will be accepted for the incorrect use of this product.

KEEP THIS BOOKLET FOR FUTURE REFERENCE

📞 Nottingham: 0115 946 1988 • London: 0208 830 3333 ✉ Nottingham: sales@hscgroupuk.co.uk • London: sean@hscgroupuk.co.uk 🌐 www.hscgroupuk.co.uk

The Hire Supply Company Terms & Conditions Apply At All Time E&OE