



# PARTS DRAWING

**BARRETO**

**9hp Hydraulic  
Rear Tine Tiller**

**Product Code:  
OOA900**



Serial Number Range:

From:

To:

Year Of Manufacture: U-Series 2017

**\*Please note, when ordering online via our website if the part number is not recognised,  
please Email [spares@hscgroupuk.co.uk](mailto:spares@hscgroupuk.co.uk) or Telephone 0115 946 1988**

**KEEP THIS BOOKLET FOR FUTURE REFERENCE**

Nottingham: 0115 946 1988 • London: 0208 830 3333 ✉ Nottingham: [sales@hscgroupuk.co.uk](mailto:sales@hscgroupuk.co.uk) • London: [sean@hscgroupuk.co.uk](mailto:sean@hscgroupuk.co.uk) 🌐 [www.hscgroupuk.co.uk](http://www.hscgroupuk.co.uk)

The Hire Supply Company Terms & Conditions Apply At All Time E&OE

THE  
**BARRETO**  
MODEL E916/918  
HYDRAULIC REAR TINE TILLER  
EXPLODED VIEWS WITH PART NUMBERS

CONGRATULATIONS!

You are now the proud owner of a BARRETO tiller. The following pages have detailed views of your tiller, along with corresponding part numbers. If you have any questions or need any replacement parts in the future, please contact us at your convenience. Our toll-free phone number, fax and email are listed below and parts may be ordered through any of these methods.

Thank you for your patronage and confidence in BARRETO equipment.

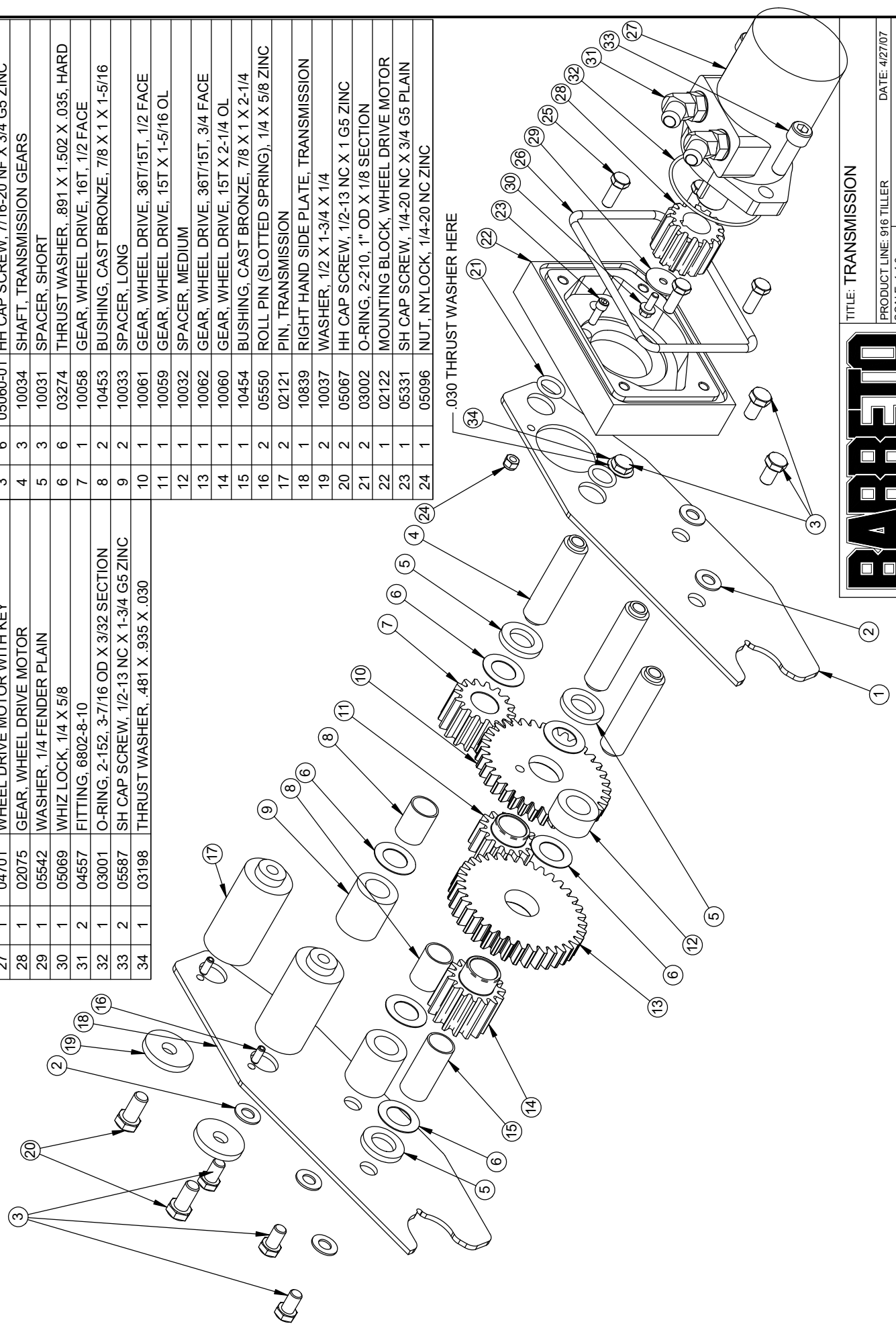
Barreto Manufacturing, Inc.  
Innovative Equipment Engineered to Last  
66498 Highway 203  
La Grande, OR 97850  
1-800-525-7348  
1-541-963-6755 Fax  
E-Mail: [info@barretomfg.com](mailto:info@barretomfg.com)  
Web Site: <http://www.barretomfg.com>

Machine Identification Record

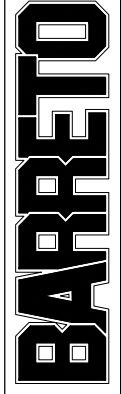
BARRETO Customer number \_\_\_\_\_  
Machine model number \_\_\_\_\_  
Machine serial number \_\_\_\_\_  
Engine manufacturer \_\_\_\_\_  
Engine model number \_\_\_\_\_  
Engine serial number \_\_\_\_\_

REF. QTY.	PART NO.	DESCRIPTION
25	4	05059 HH CAP SCREW, 3/8-16 NC X 1 G5 ZINC
26	1	03915 O-RING, 2-438N70, 6-3/4 OD X 1/4 SECTION
27	1	04701 WHEEL DRIVE MOTOR WITH KEY
28	1	02075 GEAR, WHEEL DRIVE MOTOR
29	1	05542 WASHER, 1/4 FENDER PLAIN
30	1	05069 WHIZ LOCK, 1/4 X 5/8
31	2	04557 FITTING, 6802-8-10
32	1	03001 O-RING, 2-152, 3-7/16 OD X 3/32 SECTION
33	2	05587 SH CAP SCREW, 1/2-13 NC X 1-3/4 G5 ZINC
34	1	03198 THRUST WASHER, .481 X .935 X .030

REF. QTY.	PART NO.	DESCRIPTION
1	10840	LEFT HAND SIDE PLATE, TRANSMISSION
2	05149	WASHER, 7/16 SAE ZINC
3	05060-01	HH CAP SCREW, 7/16-20 NF X 3/4 G5 ZINC
4	10034	SHAFT, TRANSMISSION GEARS
5	10031	SPACER, SHORT
6	03274	THRUST WASHER, .891 X 1.502 X .035, HARD
7	10058	GEAR, WHEEL DRIVE, 16T, 1/2 FACE
8	2	10453 BUSHING, CAST BRONZE, 7/8 X 1 X 1-5/16
9	2	10033 SPACER, LONG
10	1	10061 GEAR, WHEEL DRIVE, 36T/15T, 1/2 FACE
11	1	10059 GEAR, WHEEL DRIVE, 15T X 1-5/16 OL
12	1	10032 SPACER, MEDIUM
13	1	10062 GEAR, WHEEL DRIVE, 36T/15T, 3/4 FACE
14	1	10060 GEAR, WHEEL DRIVE, 15T X 2-1/4 OL
15	1	10454 BUSHING, CAST BRONZE, 7/8 X 1 X 2-1/4
16	2	05550 ROLL PIN (SLOTTED SPRING), 1/4 X 5/8 ZINC
17	2	02121 PIN, TRANSMISSION
18	1	10839 RIGHT HAND SIDE PLATE, TRANSMISSION
19	2	10037 WASHER, 1/2 X 1-3/4 X 1/4
20	2	05067 HH CAP SCREW, 1/2-13 NC X 1 G5 ZINC
21	2	03002 O-RING, 2-210, 1" OD X 1/8 SECTION
22	1	02122 MOUNTING BLOCK, WHEEL DRIVE MOTOR
23	1	05331 SH CAP SCREW, 1/4-20 NC X 3/4 G5 PLAIN
24	1	05096 NUT, NYLOCK, 1/4-20 NC ZINC



TITLE: TRANSMISSION

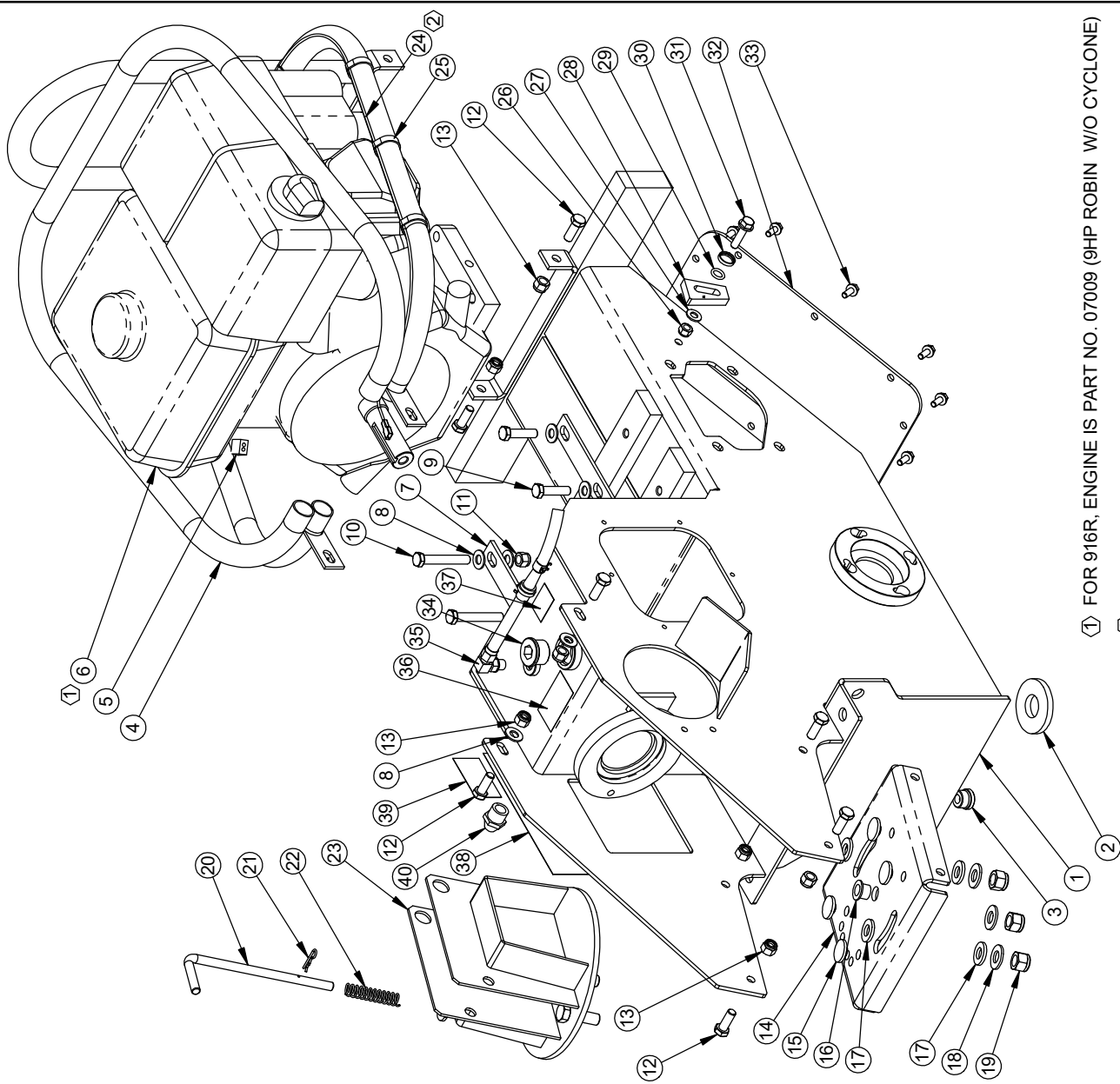


PRODUCT LINE: 916 TILLER  
 SCALE: 1:4.3  
 SHEET 1 OF 1

DATE: 4/27/07

DWG# 00237 R1

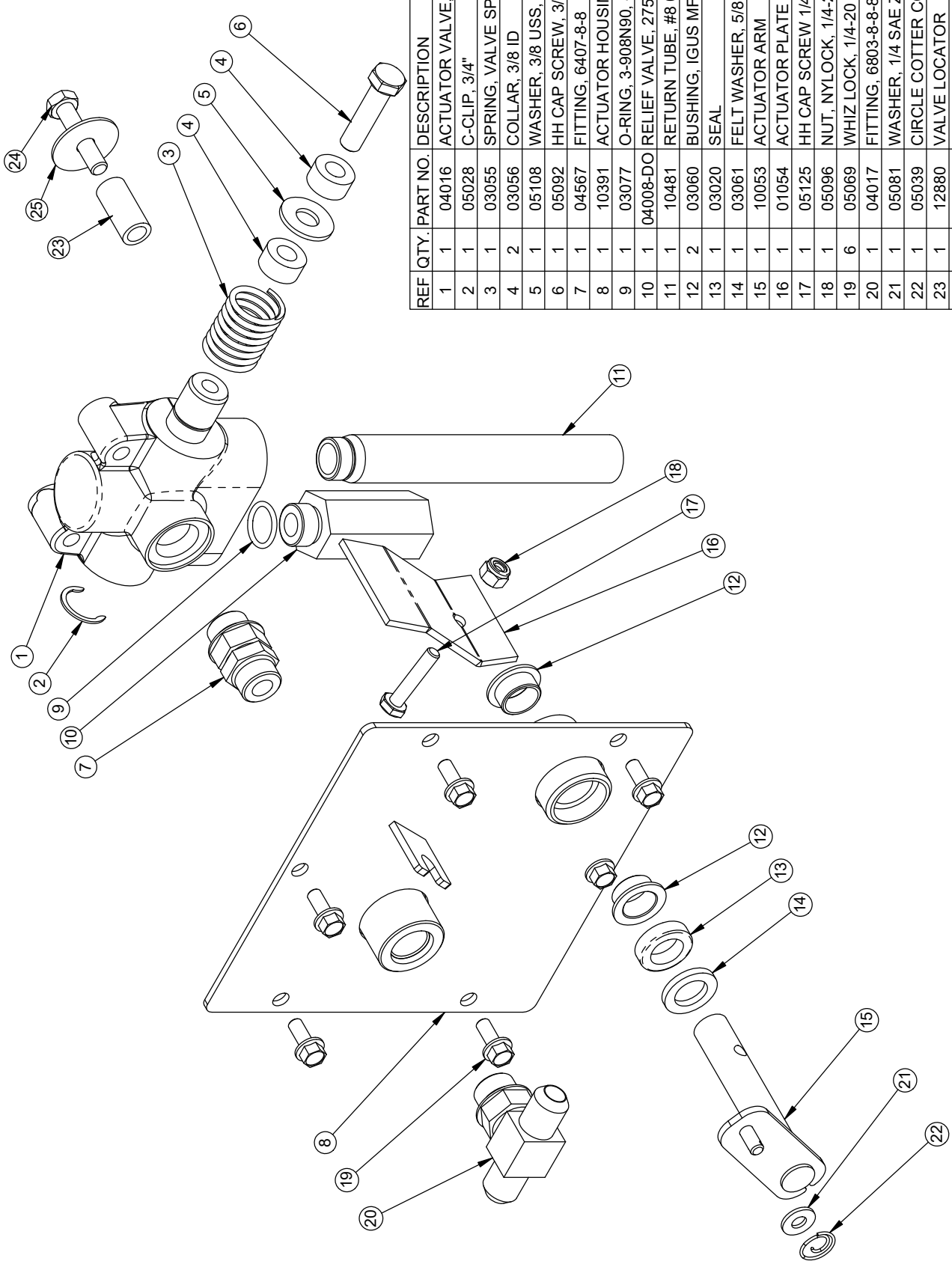
REF. QTY.	PART NO.	DESCRIPTION
1	10701	916 & 918 BODY, BOLT ON TORQUE TUBE
2	03520	MAGNET
3	10361	FITTING, 6409-8 PLUG
4	10188	ENGINE GUARD, 916
5	03806	QUICK-SPLICE
6	07006	ENGINE, 9 HP HONDA GX270
7	11188	SPACER, 9 HP ENGINES
8	05101	WASHER, 3/8 SAE ZINC
9	05092	HH CAP SCREW, 3/8-16 NC X 1-1/2 G5 ZINC
10	05284	HH CAP SCREW, 3/8-16 NC X 2-1/2 G8 ZINC
11	05073	NUT, NYLOCK, 3/8-16 NC
12	05056	HH CAP SCREW, 3/8-24 NF X 1 G5 ZINC
13	05072	NUT, NYLOCK, 3/8-24 NF
14	10035	MOUNTING PLATE, HANDLE BAR
15	10064	BUSHING, NYLATRON, 1" OD SOLID
16	03501	BUSHING, IGUS MFI-0810-08
17	10469	THRUST WASHER, .500 X 1.000 X .125 NYLATRON
18	05102	WASHER, 1/2 SAE ZINC HARDENED
19	05098	NUT, NYLOCK, 1/2-13 NC
20	10068	PIN, HANDLE BAR
21	03065	HAIR SPRING COTTER #4
22	03080	SPRING
23	10036	HANDLE BAR BRACKET
24	10558	IGNITION WIRE, 916
25	03035	TIE WRAP, 1/8 X 6
26	05273	NUT, NYLOCK, 5/16-18 NC
27	05068	WASHER, 5/16 SAE ZINC
28	10555	WEDGE
29	03907	O-RING, 2-111, 5/8 OD X 3/32 SECTION
30	02526	HOUSING, 2-111 O-RING & FLANGE SCREW
31	05138	HH FLANGE SCREW, 5/16-18 NC X 1-1/4 G8 ZINC
32	10056	ACCESS PLATE
33	05069	WHIZ LOCK, 1/4-20 UNC X 5/8
34	10526	FITTING, 6409-12 PLUG
35	10189 R2	BREATHER HOSE ASSEMBLY
36	03040-06	DECAL, "HYDRAULIC OIL ONLY"
37	03040-16	DECAL, "CE"
38	03040-11	DECAL, "BARRETO", 2-3/16 X 7-3/8
39	03040-57	DECAL, "HYDRAULIC OIL LEVEL"
40	03503	SIGHT GAUGE



- ① FOR 916R, ENGINE IS PART NO. 07009 (9HP ROBIN W/O CYCLONE)
- ② FOR 916R, USE PART NO. 10634 (IGNITION WIRE, 916R)

# BARRETO

TITLE: BODY,  
BOLT ON TORQUE TUBE  
PRODUCT LINE: 916/18      DATE: 12/4/06  
SCALE: 1:7.2      SHEET 1 OF 1      DWG# 00238 R4



REF	QTY.	PART NO.	DESCRIPTION
1	1	04016	ACTUATOR VALVE, O-RING PORTS
2	1	05028	C-CLIP, 3/4"
3	1	03055	SPRING, VALVE SPOOL RETURN
4	2	03056	COLLAR, 3/8 ID
5	1	05108	WASHER, 3/8 USS, ZINC
6	1	05092	HH CAP SCREW, 3/8-16 NC X 1-1/2 G5 ZINC
7	1	04567	FITTING, 6407-8-8
8	1	10391	ACTUATOR HOUSING PLATE
9	1	03077	O-RING, 3-908N90, -8 FITTINGS
10	1	04008-DO	RELIEF VALVE, 2750 POUND, O-RING
11	1	10481	RETURN TUBE, #8 O-RING
12	2	03060	BUSHING, IGUS MFI-1012-06
13	1	03020	SEAL
14	1	03061	FELT WASHER, 5/8 X 1 X 1/8
15	1	10053	ACTUATOR ARM
16	1	01054	ACTUATOR PLATE
17	1	05125	HH CAP SCREW 1/4-20 NC X 1-1/4 G5 ZINC
18	1	05096	NUT, NYLOCK, 1/4-20 NC ZINC
19	6	05069	WHIZ LOCK, 1/4-20 NC X 5/8 ZINC
20	1	04017	FITTING, 6803-8-8-8
21	1	05081	WASHER, 1/4 SAE ZINC
22	1	05039	CIRCLE COTTER CC-3
23	1	12880	VALVE LOCATOR
24	1	05294	HH CAP SCREW, 5/16-18 NC X 1-1/2 G5 ZINC
25	1	05541	WASHER, 5/16 FENDER ZINC

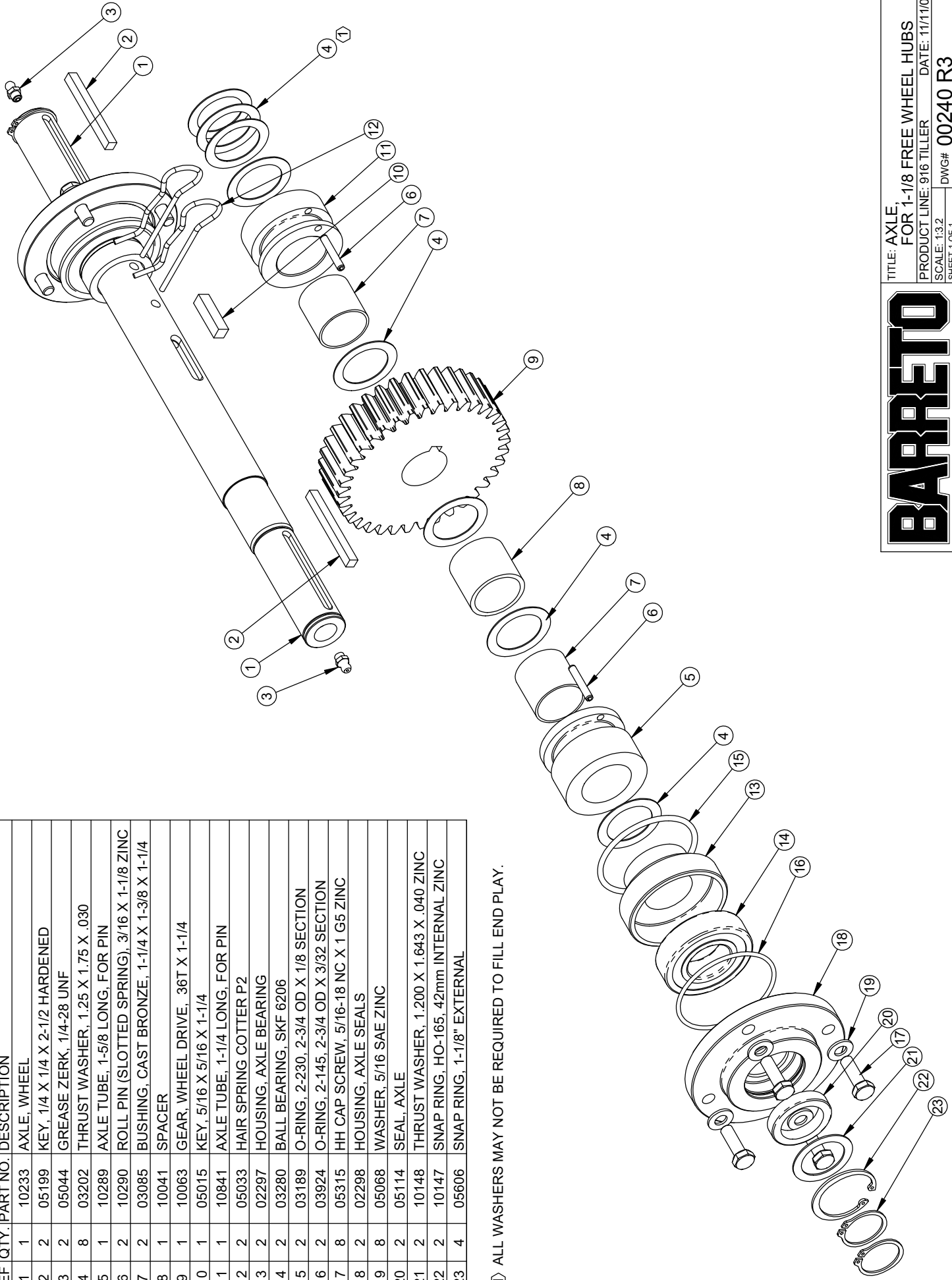
# BARRETO

TITLE: ACTUATOR VALVE

PRODUCT LINE: 916 TILLER    DATE: 10/13/14  
 SCALE: 1:2.5    DWG# 00239 R3  
 SHEET 1 OF 1

REF QTY.	PART NO.	DESCRIPTION
1	10233	AXLE, WHEEL
2	05199	KEY, 1/4 X 1/4 X 2-1/2 HARDENED
3	05044	GREASE ZERK, 1/4-28 UNF
4	03202	THRUST WASHER, 1.25 X 1.75 X .030
5	10289	AXLE TUBE, 1-5/8 LONG, FOR PIN
6	10290	ROLL PIN (SLOTTED SPRING), 3/16 X 1-1/8 ZINC
7	03085	BUSHING, CAST BRONZE, 1-1/4 X 1-3/8 X 1-1/4
8	10041	SPACER
9	10063	GEAR, WHEEL DRIVE, .36T X 1-1/4
10	05015	KEY, 5/16 X 5/16 X 1-1/4
11	10841	AXLE TUBE, 1-1/4 LONG, FOR PIN
12	05033	HAIR SPRING COTTER P2
13	02297	HOUSING, AXLE BEARING
14	03280	BALL BEARING, SKF 6206
15	03189	O-RING, 2-230, 2-3/4 OD X 1/8 SECTION
16	03924	O-RING, 2-145, 2-3/4 OD X 3/32 SECTION
17	05315	HH CAP SCREW, 5/16-18 NC X 1 G5 ZINC
18	02298	HOUSING, AXLE SEALS
19	05068	WASHER, 5/16 SAE ZINC
20	05114	SEAL, AXLE
21	10148	THRUST WASHER, 1.200 X 1.643 X .040 ZINC
22	10147	SNAP RING, HO-165, 42mm INTERNAL ZINC
23	05606	SNAP RING, 1-1/8" EXTERNAL

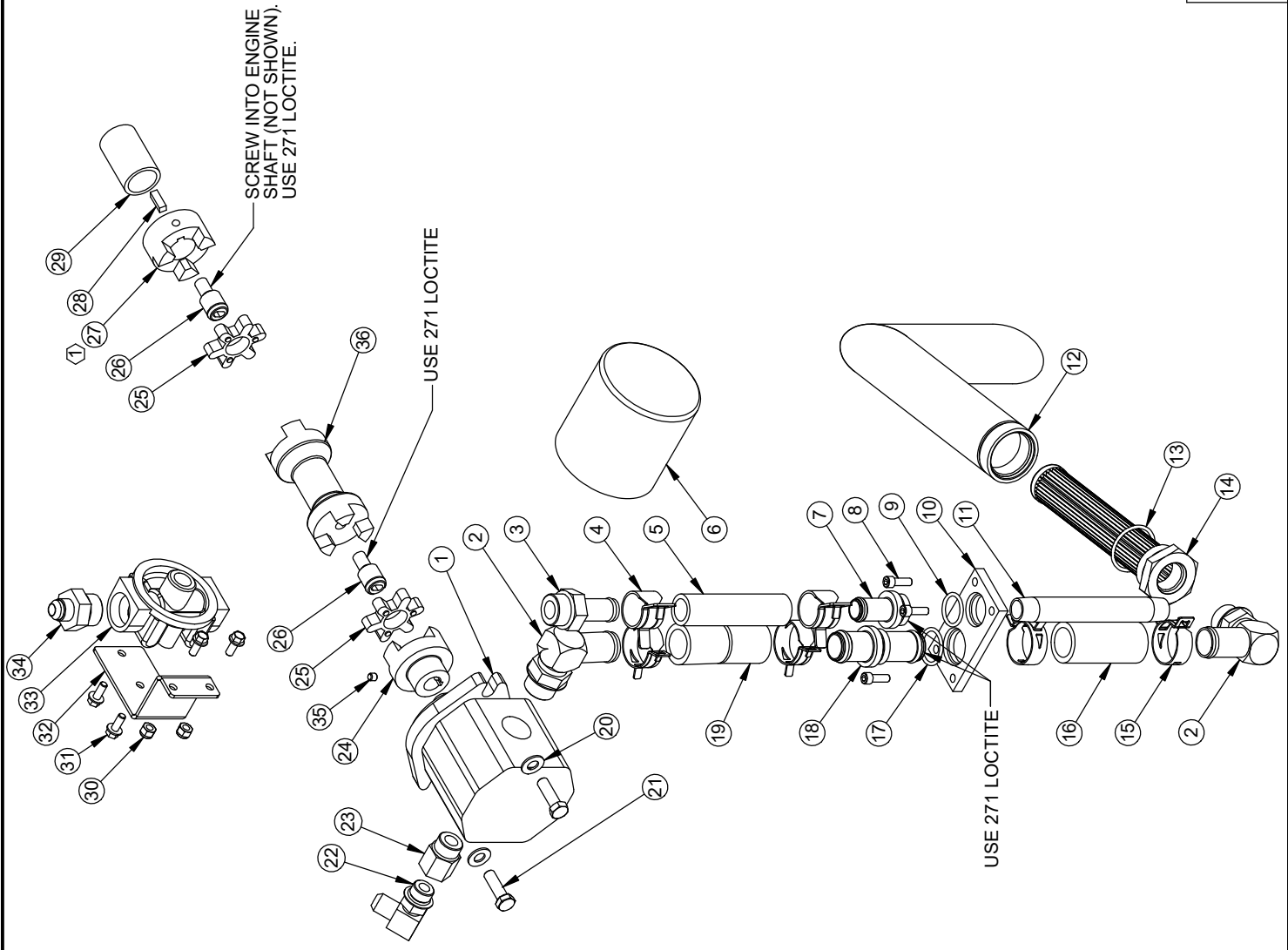
① ALL WASHERS MAY NOT BE REQUIRED TO FILL END PLAY.



# BARRETO

TITLE: AXLE,  
FOR 1-1/8 FREE WHEEL HUBS  
PRODUCT LINE: 916 TILLER DATE: 11/11/08  
SCALE: 1:3.2  
SHEET 1 OF 1 DWG# 00240 R3

REF	QTY.	PART NO.	DESCRIPTION
1	1	04004-A	PUMP, HYDRAULIC
2	2	04530	FITTING, 4601-16-12
3	1	04219	FITTING, 4604-12-12
4	2	05008	CLAMP, 1" HOSE, CTB-29
5	1	10796	HOSE, RETURN TO TANK
6	1	03951	FILTER, HYDRAULIC OIL, WITH BY-PASS
7	1	10853	FITTING, 3/4 HOSE BIB, 1/2 NPT
8	4	05611	SH CAP SCREW, 1/4-20 NC X 3/4 ZINC
9	1	03075	O-RING, 3-912N90, -12 FITTINGS
10	1	10851	MOUNTING PLATE, HOSE BIB FITTINGS
11	1	01020	PIPE NIPPLE, 1/2 X 6, SCH 40
12	1	10860	SUCTION TUBE, #20 O-RING
13	1	03293	O-RING, 3-920N90, -20 FITTINGS
14	1	10247	SUMP SCREEN #20 EXT #12 INT O-RING
15	4	05225	CLAMP, 1" ID HOSE, CTB-35 ST
16	1	10184	HOSE, SUMP SCREEN
17	1	10855	O-RING, 3-914N90, -14 FITTINGS
18	1	10852	FITTING, 1" HOSE BIBS
19	1	10854	HOSE, PUMP INTAKE
20	2	05101	WASHER, 3/8 SAE ZINC
21	2	05091	HH CAP SCREW, 3/8-16 NC X 1-1/4 G5 ZINC
22	1	04554	FITTING, 6801-8-8
23	1	04209	FITTING, 6410-10-8
24	1	10747	JAW COUPLER, PUMP, 5/8 BORE
25	2	03022-CH	SPIDER, RUBBER
26	2	10738	PILOT
27	1	03023	JAW COUPLER, 1" BORE L095
28	1	05014	KEY, 1/4 X 1/4 X 3/4
29	1	10180	SPACER, ENGINE SHAFT
30	2	05096	NUT, NYLOCK, 1/4-20 NC ZINC
31	4	05069	WHIZ LOCK, 1/4-20 NC X 5/8 ZINC
32	1	10798	BRACKET, FILTERHEAD
33	1	04403	FILTER HEAD, #12 O-RING
34	1	10808	FITTING, 6400-8-12
35	1	05143	SET SCREW .25 NF X .25 CUP
36	1	10963	COUPLER SHAFT, ONE PIECE



NOTES:

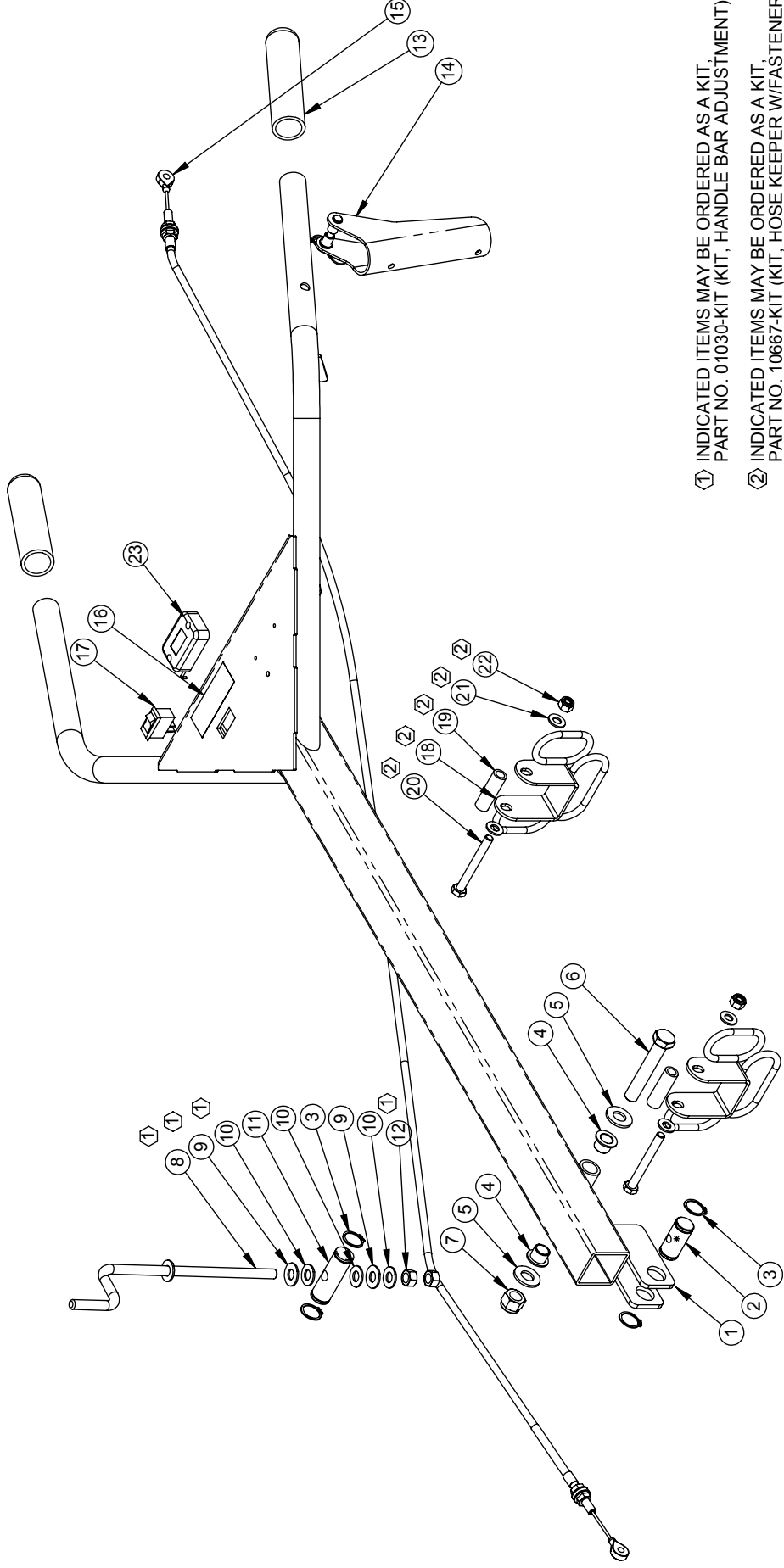
- ① COMES WITH SET SCREW. REPLACEMENT SET SCREW IS 1/4-20 X 1/4, PART NO. 05020.

TITLE: PUMP

**BARRETO**

PRODUCT LINE: 916      DATE: 2/15/06  
 SCALE: 1:5.6      DWG# 00241 R3  
 SHEET 1 OF 1

REF	QTY.	PART NO.	DESCRIPTION	REF	QTY.	PART NO.	DESCRIPTION
1	1	01017	HANDLE BARS	13	2	03032-01	GRIP, 1 X 5 (P/N 03032 IS A PAIR)
2	1	02027-L	HANDLE BAR ADJUSTER PIN, LOWER	14	1	03029	LEVER ASSEMBLY (COMPLETE)
3	4	05216	SNAP RING, 3/4 EXTERNAL	15	1	10057	CABLE ACTUATOR
4	2	03501	BUSHING, IGUS MFI-0810-08	16	1	03341-07	DECAL, "IGNITION OFF/ON"
5	2	05102	WASHER, 1/2 SAE ZINC HARDENED	17	1	06420	ROCKER SWITCH, IGNITION OFF/ON
6	1	05093	HH CAP SCREW, 1/2-13 NC X 3 G5 ZINC	18	2	10667	HOSE KEEPER
7	1	05098	NUT, NYLOCK, 1/2-13 NC ZINC	19	2	10668	SPACER, HOSE KEEPER
8	1	01030	CRANK, HANDLE BAR ADJUSTMENT	20	2	05065	HH CAP SCREW, 5/16-18 NC X 2-3/4 G5 ZINC
9	2	05058	WASHER, 3/8 NYLON	21	4	05068	WASHER, 5/16 SAE ZINC
10	3	05103	WASHER, 3/8 A325 HARDENED ZINC	22	2	05273	NUT, NYLOCK, 5/16-18 NC ZINC
11	1	02027-U	PIN, HANDLE BAR ADJUSTMENT, UPPER	23	1	03009 R1	HOUR METER, WITH FLASH ALERT
12	2	05269	NUT, 3/8-16 NC GRB ZINC				



① INDICATED ITEMS MAY BE ORDERED AS A KIT.  
PART NO. 01030-KIT (KIT, HANDLE BAR ADJUSTMENT).

② INDICATED ITEMS MAY BE ORDERED AS A KIT.  
PART NO. 10667-KIT (KIT, HOSE KEEPER W/FASTENERS).

TITLE: HANDLE BARS & CRANK

PRODUCT LINE: 916

SCALE: 1:6.2

1/16/07

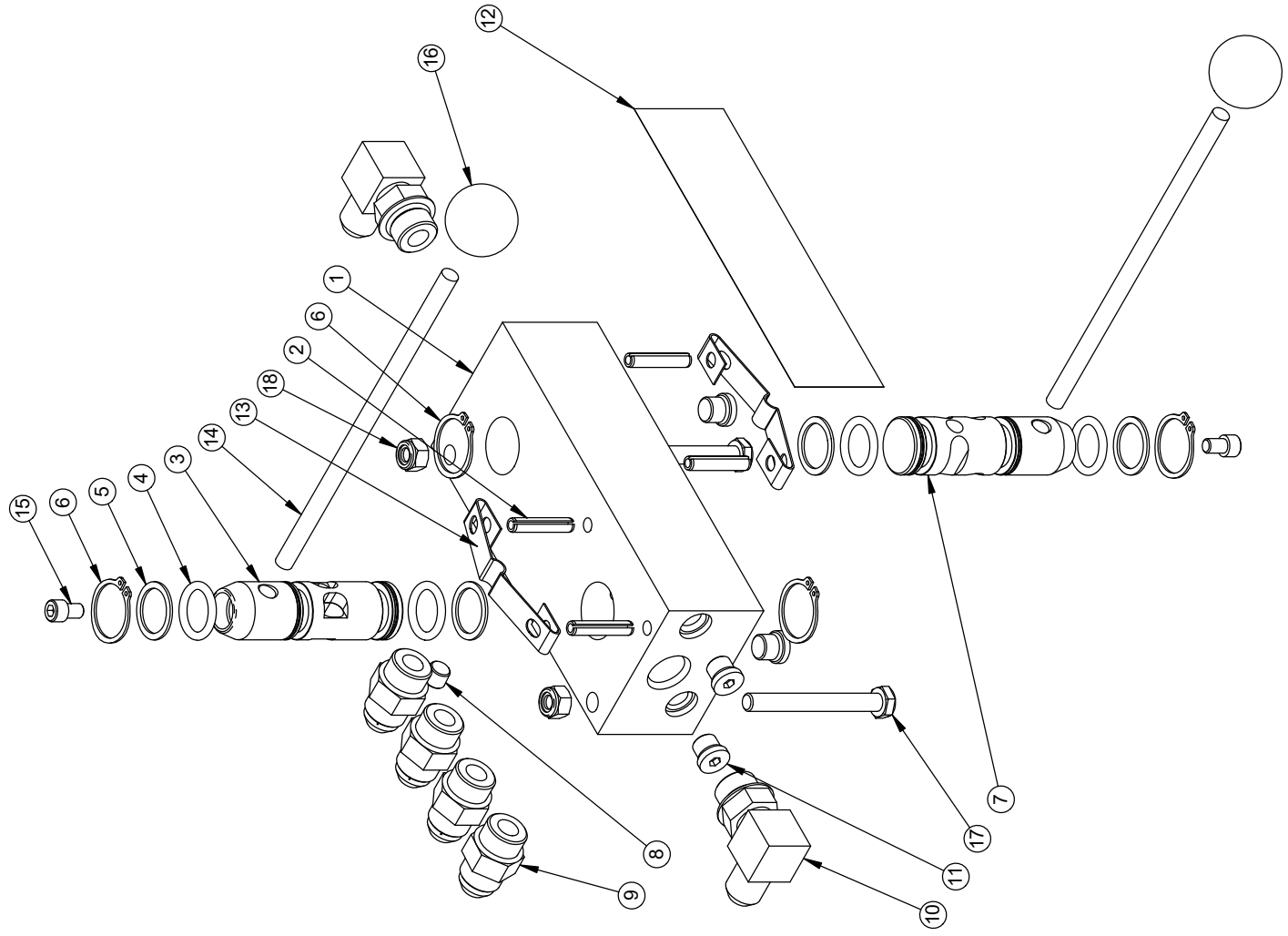
SHEET 1 OF 1

DWG# 00250 R1

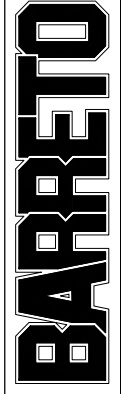
# BARRETO



REF	QTY.	PART NO.	DESCRIPTION
1	1	04010	CONTROL VALVE BODY (ORDER 04010-K)
2	4	05200	ROLL PIN (SLOTTED SPRING), 1/4 X 1-1/4 ZINC
3	1	04015-D	VALVE SPOOL, TINES (ORDER 04010-K)
4	4	03002	O-RING, 2-210, 1" OD X 1/8 SECTION
5	4	03025	BACK-UP RING, 1" TEFLON
6	4	05010	SNAP RING, 1" EXTERNAL
7	1	04015-C	VALVE SPOOL, WHEEL DRIVE (ORDER 04010-K)
8	1	05023	PIPE PLUG, 1/8"
9	4	04520	FITTING, 6400-8-8
10	2	04554	FITTING, 6801-8-8
11	4	03300	FITTING, 6409-4 PLUG
12	1	03040	DECAL, CONTROL VALVE
13	2	03027	DETENT SPRING
14	2	02017	HANDLE, 5/16 X 7
15	2	05573	SH CAP SCREW, 1/4-20 NC X 3/8 ZINC
16	2	03026	KNOB, 5/16-NC
17	2	05065	HH CAP SCREW, 5/16-18 NC X 2-3/4 G5 ZINC
18	2	05273	NUT, NYLOCK, 5/16-18 NC ZINC



TITLE: CONTROL VALVE



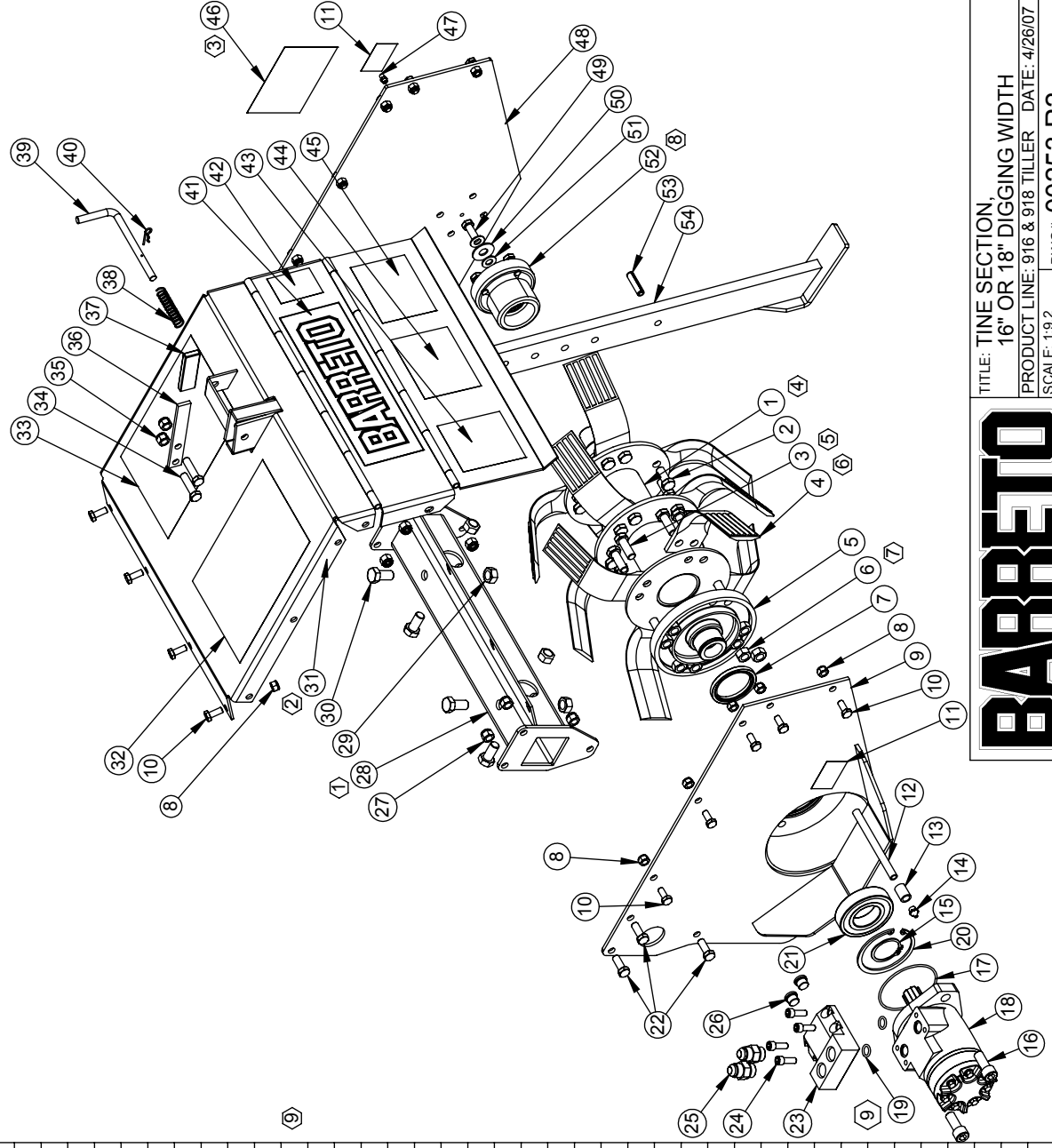
PRODUCT LINE: 916 DATE: 4/26/07

SCALE: 1:3 SHEET 1 OF 1 DWG# 00251 R1

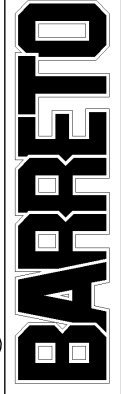
REF	QTY.	PART NO.	DESCRIPTION	REF	QTY.	PART NO.	DESCRIPTION
48	1	10146	SIDE PLATE, RH TINE SECTION	1	1	11279	TINE SHAFT
49	1	05059	HH CAP SCREW, 3/8-16 NC X 1 G5 ZINC	2	16	05061	HH CAP SCREW, 7/16-20 NF X 1 G8 ZINC
50	1	05083	WASHER, 7/16 USS ZINC	3	8	05063	HH CAP SCREW, 7/16-20 NF X 1-1/4 G8 ZINC
51	2	05103	WASHER, 3/8 A325 HARDENED ZINC	4	12	03196 R1	TINE, REVERSIBLE
52	1	10144	OUTBOARD BEARING ASSEMBLY	5	1	11278	TINE MOTOR HUB, SPLINED
53	1	05006	ROLL PIN (SLOTTED SPRING), 3/8 X 1-1/2 ZINC	6	24	05074	NUT, 7/16-20 NF G8 ZINC
54	1	01012	DEPTH BAR	7	1	03930	SEAL, CR 19763

8	14	05071	NUT, NYLOCK, 5/16-24 NF ZINC	11	2	03040-04	DECAL, "GREASE DAILY"
9	1	01067	TINE MOTOR MOUNT & LH SIDE PLATE	12	1	05282	PIPE NIPPLE, 1/8" X 5 LONG
10	14	05052	HH CAP SCREW, 5/16-24 NF X 3/4 G5 ZINC	13	1	05204	PIPE COUPLER, 1/8"
11	2	03040-04	DECAL, "GREASE DAILY"	14	1	05256	GREASE ZERK, 1/8 NPT
12	1	05282	PIPE NIPPLE, 1/8" X 5 LONG	15	1	05607	SNAP RING, SH-156, 1-9/16" EXTERNAL
13	1	05204	PIPE COUPLER, 1/8"	16	2	05585	SH CAP SCREW, 1/2-13 NC X 1-1/4 G5 ZINC
14	1	05256	GREASE ZERK, 1/8 NPT	17	1	03001	O-RING, 2-152, 3-7/16 OD X 3/32 SECTION
15	1	05607	SNAP RING, SH-156, 1-9/16" EXTERNAL	18	1	04605-F	TINE MOTOR
16	2	05585	SH CAP SCREW, 1/2-13 NC X 1-1/4 G5 ZINC	19	2	03926	O-RING, 2-112N90, 11/16 OD X 3/32 SECTION
17	1	03001	O-RING, 2-152, 3-7/16 OD X 3/32 SECTION	20	1	05603	SNAP RING, HO-315, 3-5/32 INTERNAL
18	1	04605-F	TINE MOTOR	21	1	03943	BALL BEARING, SKF 6208
19	2	03926	O-RING, 2-112N90, 11/16 OD X 3/32 SECTION	22	6	05056	HH CAP SCREW, 3/8-24 NF X 1 G5 ZINC
20	1	05603	SNAP RING, HO-315, 3-5/32 INTERNAL	23	1	02065	MANIFOLD, TINE MOTOR
21	1	03943	BALL BEARING, SKF 6208	24	4	05361	SH CAP SCREW, 5/16-18 NC X 7/8 ZINC
22	6	05056	HH CAP SCREW, 3/8-24 NF X 1 G5 ZINC	25	2	04520	FITTING, 6400-8-8
23	1	02065	MANIFOLD, TINE MOTOR	26	2	03302	FITTING, 6409-6 PLUG
24	4	05361	SH CAP SCREW, 5/16-18 NC X 7/8 ZINC	27	6	05072	NUT, NYLOCK, 3/8-24 NF ZINC
25	2	04520	FITTING, 6400-8-8	28	1	10702	TORQUE TUBE, 17" BOLT ON
26	2	03302	FITTING, 6409-6 PLUG	29	4	05046	NUT, GRIPCO, 1/2-13 NC G5 ZINC
27	6	05072	NUT, NYLOCK, 3/8-24 NF ZINC	30	4	05067	HH CAP SCREW, 1/2-13 NC X 1 G5 ZINC
28	1	10702	TORQUE TUBE, 17" BOLT ON	31	1	10067	TINE COVER, 916
29	4	05046	NUT, GRIPCO, 1/2-13 NC G5 ZINC	32	1	03341-22	DECAL, "TILLER OPERATING INSTRUCTIONS"
30	4	05067	HH CAP SCREW, 1/2-13 NC X 1 G5 ZINC	33	1	03341-23	DECAL, "TILLER SAFETY INSTRUCTIONS"
31	1	10067	TINE COVER, 916	34	2	05092	HH CAP SCREW, 3/8-16 NC X 1-1/2 G5 ZINC
32	1	03341-22	DECAL, "TILLER OPERATING INSTRUCTIONS"	35	2	05073	NUT, NYLOCK, 3/8-16 NC ZINC
33	1	03341-23	DECAL, "TILLER SAFETY INSTRUCTIONS"	36	1	01099	HANDLE, DEPTH BAR
34	2	05092	HH CAP SCREW, 3/8-16 NC X 1-1/2 G5 ZINC	37	1	03018	GRIP, 1/8 X 3/4 X 2-3/4
35	2	05073	NUT, NYLOCK, 3/8-16 NC ZINC	38	1	03080	SPRING
36	1	01099	HANDLE, DEPTH BAR	39	1	01018	PIN, DEPTH BAR
37	1	03018	GRIP, 1/8 X 3/4 X 2-3/4	40	1	03065	HAIR SPRING COTTER #4
38	1	03080	SPRING	41	1	03040-02	DECAL, "BARRETO", 3-1/2 X 11-1/4
39	1	01018	PIN, DEPTH BAR	42	1	03040-01	DECAL, "MADE IN USA"
40	1	03065	HAIR SPRING COTTER #4	43	1	03040-08	DECAL, "WARNING" (YELLOW)
41	1	03040-02	DECAL, "BARRETO", 3-1/2 X 11-1/4	44	1	03040-03	DECAL, "CAUTION" (BLACK & WHITE)
42	1	03040-01	DECAL, "MADE IN USA"	45	1	03040-07	DECAL, "CAUTION" (YELLOW)
43	1	03040-08	DECAL, "WARNING" (YELLOW)	46	1	04340	DECAL, "916"
44	1	03040-03	DECAL, "CAUTION" (BLACK & WHITE)	47	1	05044	GREASE ZERK, 1/4-28 UNF
45	1	03040-07	DECAL, "CAUTION" (YELLOW)				
46	1	04340	DECAL, "916"				
47	1	05044	GREASE ZERK, 1/4-28 UNF				

- ① FOR 918, USE PART NO. 10706 (TORQUE TUBE, 19")
- ② FOR 918, USE PART NO. 01066 (TINE COVER, 918)
- ③ FOR 918, USE PART NO. 03040-51 (DECAL, "918")
- ④ FOR 918, USE PART NO. 11281 (TINE SHAFT, 918)
- ⑤ PART NO. 05063-24 IS A SET OF 24 PIECES.
- ⑥ PART NO. 03196 R1-12 IS A SET OF 12 PIECES.
- ⑦ PART NO. 05074-24 IS A SET OF 24 PIECES.
- ⑧ REFERENCE DWG. 10144 FOR INDIVIDUAL PARTS.
- ⑨ 03926, O-RING INCLUDED WITH TINE MOTOR



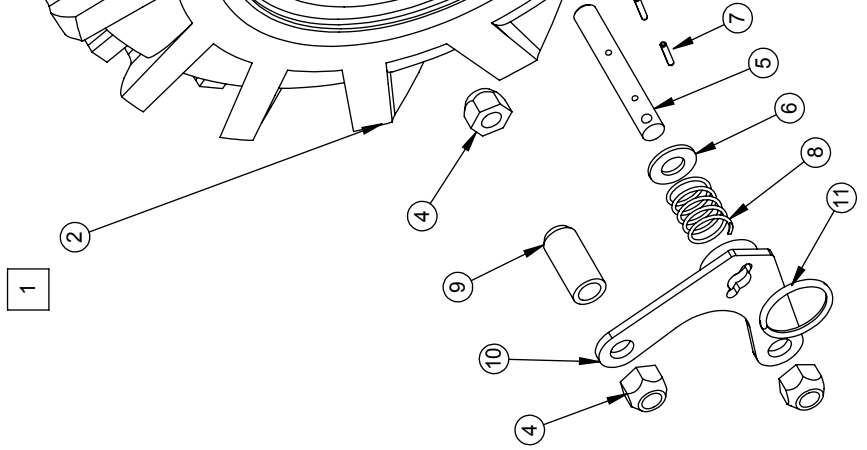
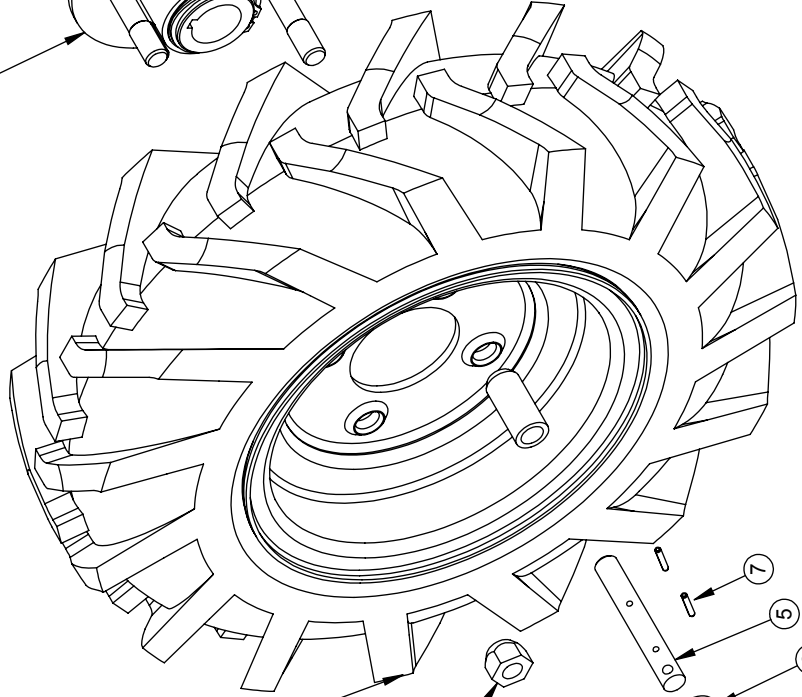
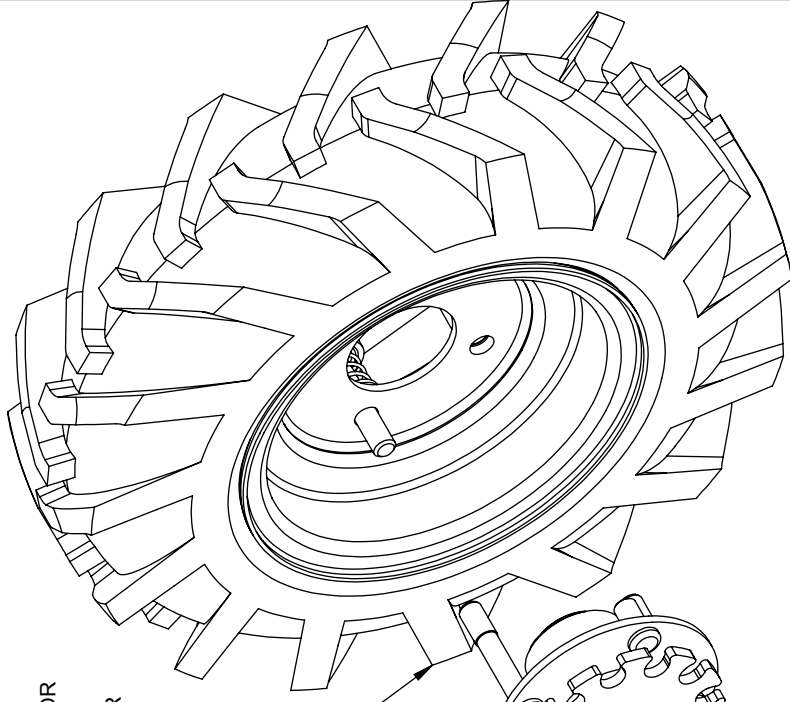
TITLE: TINE SECTION,  
16" OR 18" DIGGING WIDTH  
PRODUCT LINE: 916 & 918 TILLER DATE: 4/26/07  
SCALE: 1:9.2  
SHEET 1 OF 1  
DWG# 00253 R2



REF	QTY.	PART NO.	DESCRIPTION
1	2	02269-HUB	WHEEL HUB ASSY, 1-1/8" BORE
2	1	03190-FW	TIRE & RIM, 16" X 4", LEFT HAND
3	1	03191-FW	TIRE & RIM, 16" X 4", RIGHT HAND
4	6	05042	NUT, LUG, 1/2-20 NF
5	2	02068	PIN, FREE WHEELING
6	2	05102	WASHER, 1/2 SAE ZINC HARDENED
7	4	05548	ROLL PIN (SLOTTED SPRING), 1/8 X 3/4 ZINC
8	2	03352	SPRING, CENTURY 3385
9	4	02083	SPACER, WHEEL
10	2	01077	MOUNTING PLATE, PIN, FREE WHEELING
11	2	03550	SPLIT RING-27

1 FOR TRENCHER, 03190-FW IS ON RIGHT SIDE, FOR TRENCHING IN REVERSE

2 FOR TRENCHER, 03191-FW IS ON LEFT SIDE, FOR TRENCHING IN REVERSE



NOTES:

1. RIM ALONE IS PART NO. 03712. TIRE ALONE IS PART NO. 03193.
2. USAGE: 1 OF 00256 R1 PER 912, 916 & 918.

# BARRETO

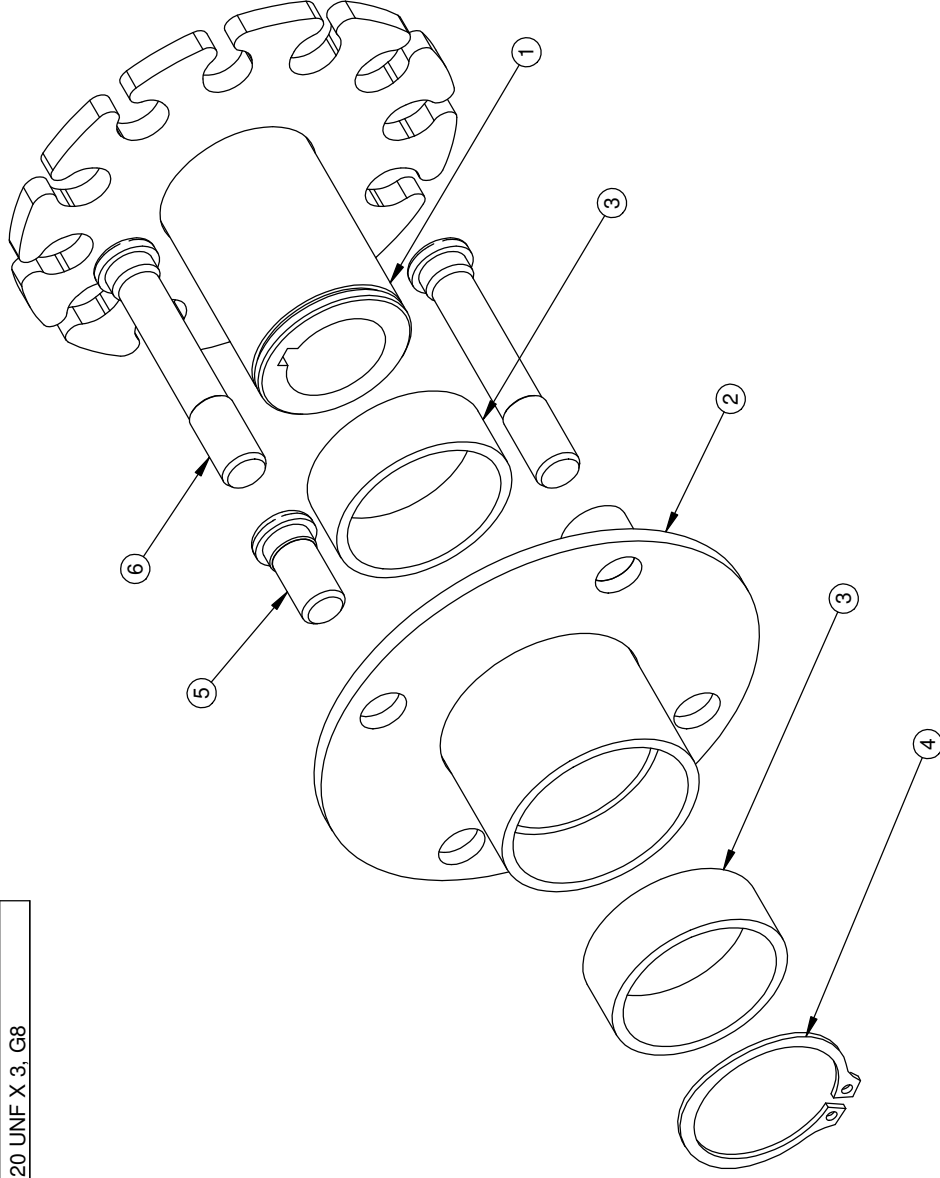
TITLE: FREE WHEELING HUBS AND WHEELS

PRODUCT LINE: COMMON DATE: 7/16/07

SCALE: 1:4 SHEET 1 OF 1

DWG# 00256 R1

REF. QTY.	PART NO.	DESCRIPTION
1	02269	WHEEL HUB
2	01252	FREE WHEEL HUB
3	03168	BUSHING, SLEEVE, NYLON, IGUS MSI-2832-12
4	05610	SNAP RING, SH-175, 1-3/4" EXTERNAL
5	05066	KNURLED STUD, 1/2-20 UNF X 1, G8
6	05166	KNURLED STUD, 1/2-20 UNF X 3, G8



NOTES:

- 1. USAGE: 2 PER 00231 R3, 00256 R1, & 10388.
- 1 OF 00231 R3 PER 1318.
- 1 OF 00256 R1 PER 912, 916 & 918.
- 1 OF 10388 PER 1320 & 1620.

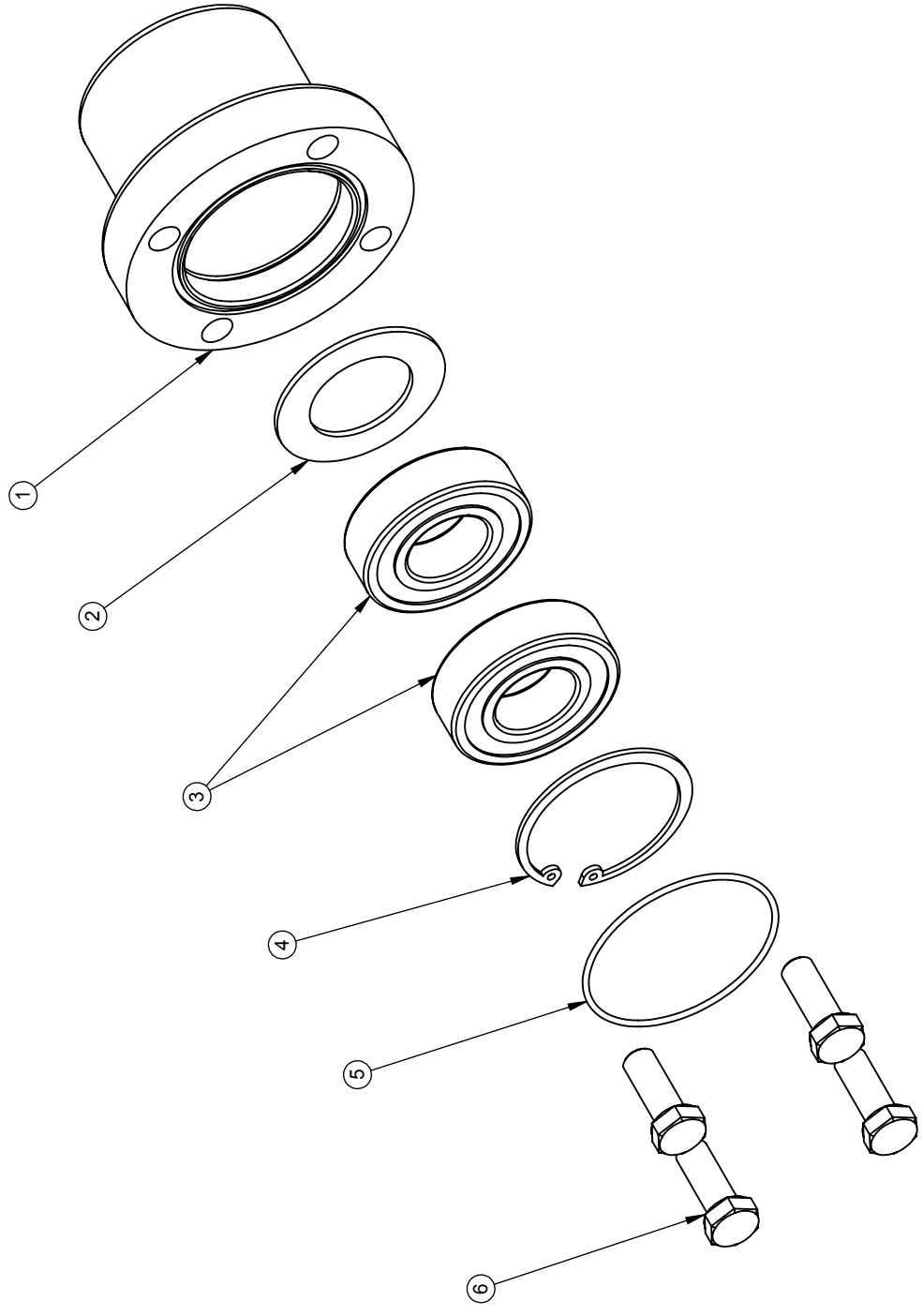
# BARRETO

TITLE: WHEEL HUB ASSY, 1-1/8" BORE

PRODUCT LINE: COMMON DATE: 8/6/07

SCALE: 1:2 SHEET 1 OF 1 DWG# 02269-HUB

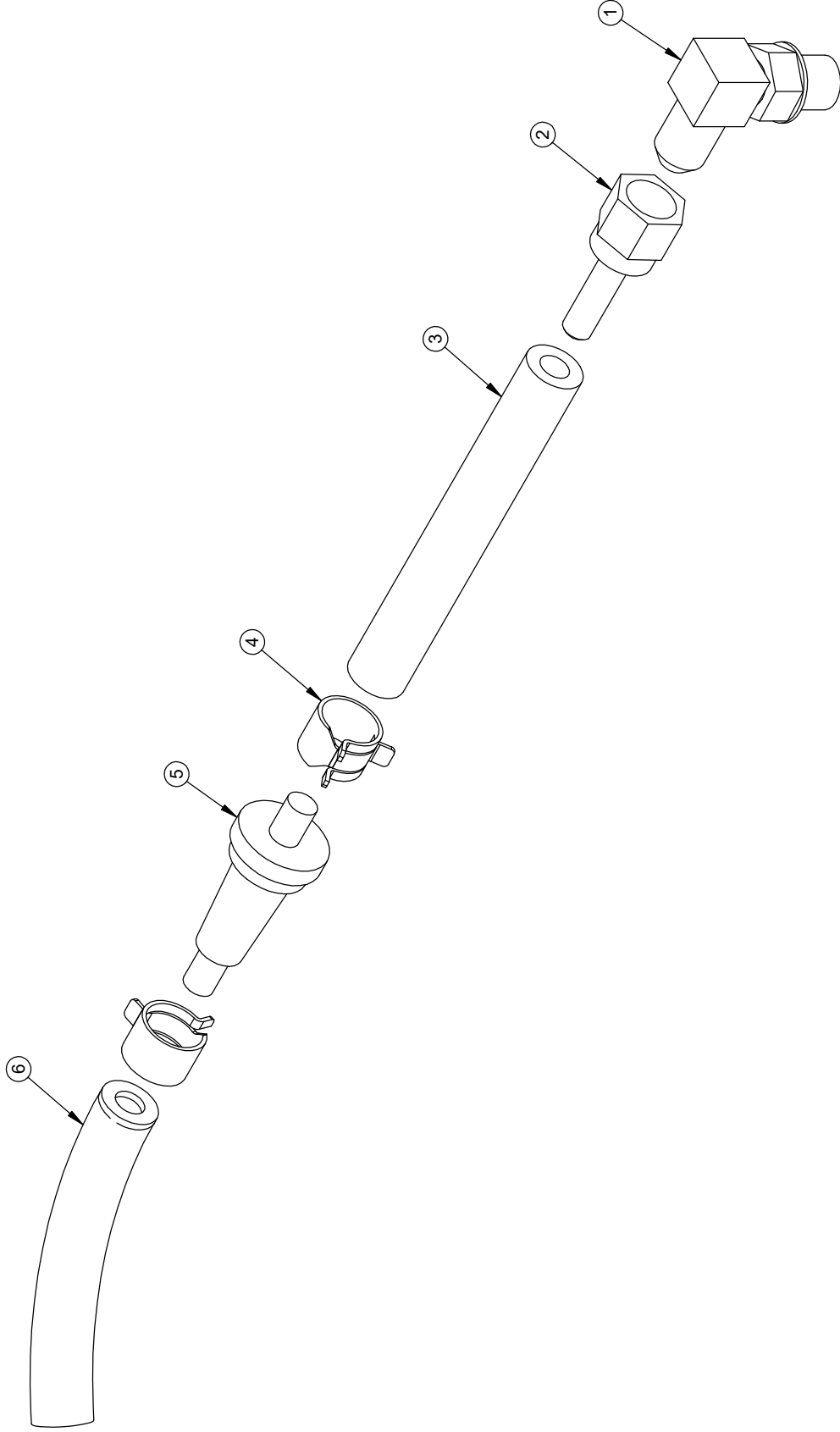
REF QTY.	PART NO.	DESCRIPTION
1	10142	OUTBOARD BEARING HOUSING, 4 BOLT
2	01039	SHIELD, ROLLER BEARING
3	03043	BALL BEARING, 6205
4	05024	SNAP RING, HO-200, 2" INTERNAL
5	03904	O-RING, 2-035, 2-3/8 OD X 1/16 SECTION
6	05059	HH CAP SCREW, 3/8-16 NC X 1 G5 ZINC



# BARRETO

TITLE: OUTBOARD BEARING ASSEMBLY,  
4 BOLT  
PRODUCT LINE: COMMON DATE: 3/2/04  
SCALE: 1:2 SHEET 1 OF 1 DWG# 10144

REF.	QTY.	PART NO.	DESCRIPTION
1	1	04555	FITTING, 6801-4-4
2	1	04214	FITTING, JS-4-4, HOSE BARB 1/4 X 1/4 SWIVEL
3	1	11348	HOSE, 1/4 INCH GASOLINE, 4L5, 3-1/2" LONG
4	2	03062-06	CLAMP, 1/4" FUEL LINE
5	1	04516	BREATHER, FILTER SNAPPER 1435
6	1	11347	HOSE, 1/4 INCH GASOLINE, 4L5, 3-1/4" LONG



TITLE: BREATHER HOSE ASSEMBLY

PRODUCT LINE: 916 DATE: 4/26/07

SCALE: 1:1.3

SHEET 1 OF 1 DWG# 10189 R2

# BARRETO

## HOSES, 916 TILLER

QTY.	PART NO.	DESCRIPTION
1	10204	HOSE, PUMP TO ACTUATOR TEE FITTING
1	10205	HOSE, CONTROL VALVE TO ACTUATOR TEE FITTING
1	10206	HOSE, CONTROL VALVE TO OIL FILTER MOUNT
1	10207	HOSE, CONTROL VALVE TO WHEEL DRIVE MOTOR FRONT PORT
1	10208	HOSE, CONTROL VALVE TO WHEEL DRIVE MOTOR REAR PORT
1	10209	HOSE, CONTROL VALVE TO TINE MOTOR FRONT PORT
1	10210	HOSE, CONTROL VALVE TO TINE MOTOR REAR PORT

# 918/916 Tiller decals

P/N 03040

REV. OFF ON  
TINE DRIVE  
VARIABLE SPEED WHEEL DRIVE  
R N F  
AUTOMATIC TINE LOCKOUT WHEN WHEELS ARE REVERSED

P/N 03040-01



P/N 03040-02



P/N 03040-03



P/N 03040-04



P/N 03040-06



P/N 03040-07

CAUTION TO AVOID INJURY

- Read the Operator's Manual
- Know the location and functions of all controls
- Keep all safety devices and shields in place
- Never allow children or un instructed adults to operate machine
- Shut off engine before unlogging moving parts or making repairs
- Keep away from rotating parts
- Keep bystanders away from machine

P/N 03040-08

WARNING  
KEEP AWAY FROM ROTATING TINES. ROTATING TINES WILL CAUSE INJURY.

P/N 03040-11



P/N 03040-16 (European only)

MANUFACTURER: BARRETO MANUFACTURING, INC.  
66498 HWY 203  
LA GRANDE, OR 97850 USA

EUROPEAN DISTRIBUTOR: FEMA IMPORT-EXPORT  
30174 VENEZIA-ZELARINO, ITALY  
VIA G. FAVRETTA, 108  
Phone: (0039) 41 5460343 Fax: (0039) 41 909899

MODEL 916/918 TILLERS  
WEIGHT OF MACHINE.....209 kg  
NOISE LEVEL.....85 db  
VIBRATION LEVEL..... 7.5 m/sec.  
YEAR MANUFACTURED:..... 2013

P/N 03040-51



P/N 04340



P/N 03040-57



P/N 03341-07



P/N 03341-22

OPERATING INSTRUCTIONS

- READ SAFETY INSTRUCTIONS BEFORE OPERATING!
- Be sure engine oil and hydraulic oil are at proper levels before starting tiller.
- STUDY AND UNDERSTAND CONTROLS BEFORE BEGINNING OPERATION.

Adjust handlebar to comfortable position by turning crank at the base of the handlebars before operating.

**NEVER RUN MACHINE IN REVERSE WHILE TINES ARE ROTATING.**  
Always move the tine control lever to "OFF" before reversing wheels.

Tine control lever should be set at "OFF" when moving tiller from place to place while not tilling.

CLUTCH LEVER: (At left handle grip) Activates Wheel Drive and Tine Rotation controls when depressed. Stops all motion when released.

WHEEL DRIVE LEVER: The wheel speed is variable both in forward and reverse. Moving WHEEL DRIVE lever to the right causes the tiller to go forward; to the left to back up. The further the control lever is moved away from center, the faster the tiller will travel. When the lever is centered, the wheels are locked in neutral or park position.

TINE DRIVE LEVER: The tines operate at a constant speed. The TINE DRIVE lever must be moved all the way over to the forward "ON" position when tilling. If an object becomes lodged in the tines, put the WHEEL DRIVE lever in neutral and reverse the tines to dislodge it.

**OPERATE TILLER ON LEVEL GROUND ONLY!**

TILLING OPERATION: In most soil and soil conditions, the depth bar can be set with the pin in the third hole from the top.

When starting to till, move the TINE DRIVE lever to the forward position. Hold the CLUTCH LEVER to the handle grip to engage tines.

Move the WHEEL DRIVE lever to the right until desired wheel speed is reached. Under most conditions, at least two passes must be made. For deeper tillage, move the depth bar up one hole at a time.

ALWAYS THOROUGHLY CLEAN AND SERVICE TILLER AFTER EACH USE.

P/N 03341-23

SAFETY INSTRUCTIONS

- READ SAFETY AND OPERATING INSTRUCTIONS BEFORE OPERATING MACHINE!
- DO NOT LEAVE TILLER UNATTENDED WITH ENGINE RUNNING.
- No parking brake. Always leave tiller parked on a level surface.
- The SAFETY CLUTCH lever on the left handlebar is for operator protection. DO NOT TAPE DOWN OR OTHERWISE BY-PASS THIS CLUTCH.
- Objects may become airborne while operating tiller. Wear safety goggles and a hard hat while operating or observing.
- Rotating tines can cause serious injury. KEEP HANDS AND FEET CLEAR!
- KEEP TINE COVER CLOSED AND MACHINE LEVEL while tines are operating.
- Buried cables or gas lines can cause serious injury or death. Contact local agencies for location.
- Fuel exhaust and fuel fumes can cause illness or death. Operate outdoors and avoid breathing exhaust and fumes.
- Fuel fumes can catch fire and explode. Do not smoke or operate near flames or sparks.
- Hydraulic oil is under extreme pressure and can get under skin and burn or poison. Check for leaks with cardboard.
- Muffler and engine get hot enough to cause serious burns. Do not touch until cool.





## Recycling



**ENVIRONMENTAL PROTECTION:** Please recycle any unwanted materials as opposed to disposing them as general waste. It is recommended the original is retained and used to store the product when not in use for prolonged periods of time. If this is not applicable ensure the materials are sorted and recycled in accordance with local regulations.



**SPECIFICATION CHANGE:** It is our policy to continually improve products to ensure these meet the rigours of the industry we serve. Therefore, as such we reserve the right to alter specifications, data, components & parts with-out prior notice.

**WARRANTY:** Please refer to the manufactures terms & conditions.

**IMPORTANT:** No liability will be accepted for the incorrect use of this product.

### KEEP THIS BOOKLET FOR FUTURE REFERENCE

📞 Nottingham: 0115 946 1988 • London: 0208 830 3333    ✉ Nottingham: [sales@hscgroupuk.co.uk](mailto:sales@hscgroupuk.co.uk) • London: [sean@hscgroupuk.co.uk](mailto:sean@hscgroupuk.co.uk)    🌐 [www.hscgroupuk.co.uk](http://www.hscgroupuk.co.uk)

The Hire Supply Company Terms & Conditions Apply At All Time E&OE