



PARTS DRAWING



**240v Portable 7000Btu
Spot Cooler**

**Product Code:
PTA2000SP**

Serial Number Range:

From:

To:

Year Of Manufacture:

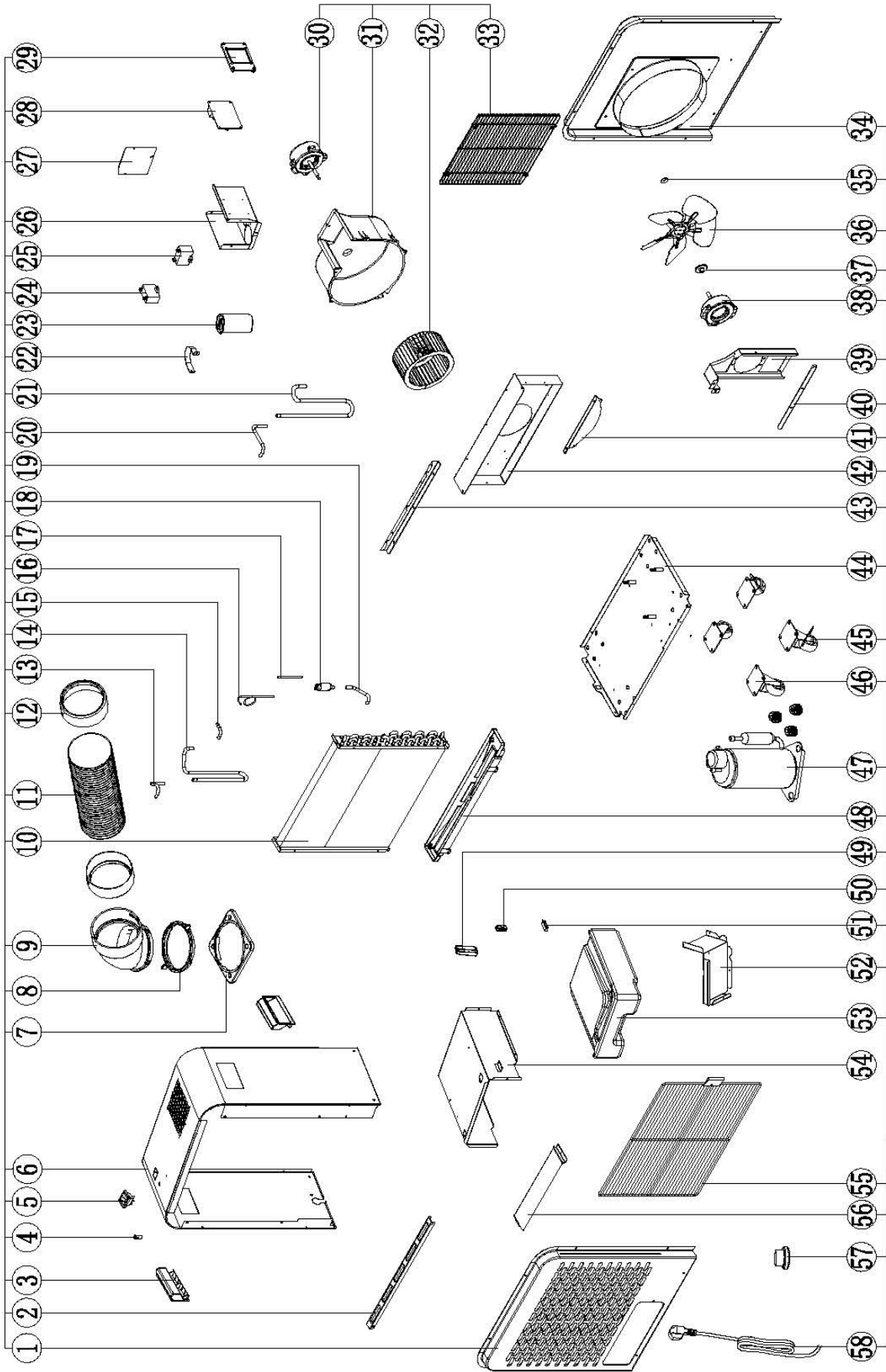


***Please note, when ordering online via our website if the part number is not recognised,
please Email spares@hscgroupuk.co.uk or Telephone 0115 946 1988**

KEEP THIS BOOKLET FOR FUTURE REFERENCE

Nottingham: 0115 946 1988 • London: 0208 830 3333 ✉ Nottingham: sales@hscgroupuk.co.uk • London: sean@hscgroupuk.co.uk 🌐 www.hscgroupuk.co.uk

The Hire Supply Company Terms & Conditions Apply At All Time E&OE



Item No	Part Number	Description	Item No	Part Number	Description
1	PTA2000SP1	Front Panel	30	S/R	Up Fan Motor
2	PTA2000SP2	Filter Bracket	31	S/R	Air Duct
3	PTA2000SP3	Handle	32	S/R	Centrifugal Blower
4	S/R	Water-Filled Indicator	33	PTA2000SP33	Net Cover
5	PTA2000SP5	Switch	34	S/R	Back Panel Assembly
6	S/R	Case Shell	35	S/R	Axial Flow Fan
7	PTASPTFB	Tube Fix Base	36	S/R	Axial Flow Fan Plate
8	PTASPTFF	Tube Fix Frame	37	S/R	Base Of Axial Fan
9	PTASPET	Elbow Tube	38	S/R	Down Fan Motor
10	S/R	Heat Exchanger Assembly	39	S/R	Bracket For Down Fan Motor
11	PTASPCT	Cooling Tube	40	S/R	Seat Of Motor Bracket
12	PTATC	Connector Of Tube	41	S/R	Down Panel Of Motor Bracket
13	S/R	Condensor In Pipe	42	S/R	Bracket Of Air Duct
14	S/R	Discharge Pipe	43	S/R	Up Panel Of Air Duct
15	S/R	Capillary Connector Pipe	44	S/R	Chassis Assembly
16	S/R	Capillary Pipe	45	PTA2000SP45	Castor With Lock
17	S/R	Process Tube	46	PTA2000SP46	Castor No Lock
18	S/R	Filter Tube	47	S/R	Compressor Assembly
19	S/R	Condensor - Out Pipe	48	S/R	Water Tray
20	S/R	Evaporator - Out Pipe	49	S/R	Water Level Bracket
21	S/R	Suction Tube	50	S/R	Water Level Switch (Square)
22	S/R	Capacitor Bracket	51	S/R	Magnetron Switch
23	S/R	Compressor Capacitor	52	S/R	Partition Panel
24	S/R	Up Fan Motor Capacitor	53	PTA2000SP53	Water Tank
25	S/R	Down Fan Motor Capacitor	54	S/R	Cover Panel Of Water Tank
26	S/R	Electric Control Box	55	PTA2000SP55	Air Filter
27	S/R	Electric Control Box Cover	56	S/R	Bracket Of Water Tank
28	S/R	Power Board Bracket	57	S/R	Wire Grommet
29	PTA2000SP28	Power Supply Board	58	S/R	Mains Cable



Recycling



ENVIRONMENTAL PROTECTION: Please recycle any unwanted materials as opposed to disposing them as general waste. It is recommended the original is retained and used to store the product when not in use for prolonged periods of time. If this is not applicable ensure the materials are sorted and recycled in accordance with local regulations.



SPECIFICATION CHANGE: It is our policy to continually improve products to ensure these meet the rigours of the industry we serve. Therefore, as such we reserve the right to alter specifications, data, components & parts with-out prior notice.

WARRANTY: Please refer to the manufactures terms & conditions.

IMPORTANT: No liability will be accepted for the incorrect use of this product.

KEEP THIS BOOKLET FOR FUTURE REFERENCE

📞 Nottingham: 0115 946 1988 • London: 0208 830 3333 ✉ Nottingham: sales@hscgroupuk.co.uk • London: sean@hscgroupuk.co.uk 🌐 www.hscgroupuk.co.uk

The Hire Supply Company Terms & Conditions Apply At All Time E&OE