



# PARTS DRAWING

**Tempest 110v MB50  
MK2 Cooling Fan**

**Product Code:  
T5000MK2110**

Serial Number Range:

From:

To:

Year Of Manufacture:



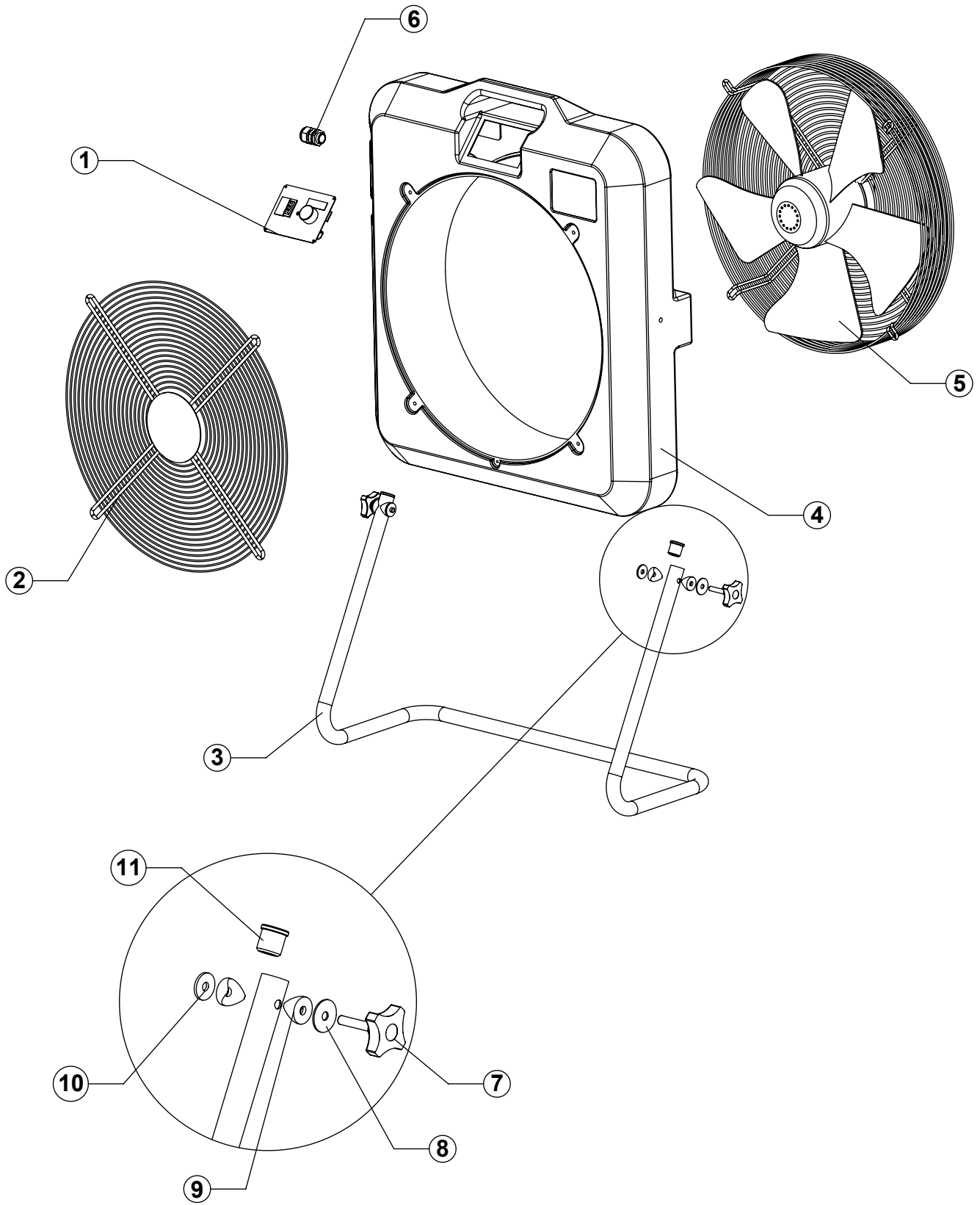
**\*Please note, when ordering online via our website if the part number is not recognised, please Email [spares@hscgroupuk.co.uk](mailto:spares@hscgroupuk.co.uk) or Telephone 0115 946 1988**

**KEEP THIS BOOKLET FOR FUTURE REFERENCE**

Nottingham: 0115 946 1988 • London: 0208 830 3333 ✉ Nottingham: [sales@hscgroupuk.co.uk](mailto:sales@hscgroupuk.co.uk) • London: [sean@hscgroupuk.co.uk](mailto:sean@hscgroupuk.co.uk) 🌐 [www.hscgroupuk.co.uk](http://www.hscgroupuk.co.uk)

The Hire Supply Company Terms & Conditions Apply At All Time E&OE

**Exploded drawing:**



<b>Item No</b>	<b>Part Number</b>	<b>Description</b>
<b>1</b>	MB50SC110	MB50 Speed Controller Variable & Fixed Speed Switch 110v
<b>2</b>	S/R	Front Grill
<b>3</b>	S/R	Main Frame
<b>4</b>	S/R	Moulded Body
<b>5</b>	S/R	Fan Motor 110v
<b>6</b>	S/R	Cable Gland c/w Lock Nut
<b>7</b>	MB50HW	Hand Wheel
<b>8</b>	S/R	M8 x 30 Washer
<b>9</b>	S/R	Sadle Washer
<b>10</b>	S/R	Nylon Washer
<b>11</b>	S/R	Frame Bung
	S/R	Power Lead



## Recycling



**ENVIRONMENTAL PROTECTION:** Please recycle any unwanted materials as opposed to disposing them as general waste. It is recommended the original is retained and used to store the product when not in use for prolonged periods of time. If this is not applicable ensure the materials are sorted and recycled in accordance with local regulations.



**SPECIFICATION CHANGE:** It is our policy to continually improve products to ensure these meet the rigours of the industry we serve. Therefore, as such we reserve the right to alter specifications, data, components & parts with-out prior notice.

**WARRANTY:** Please refer to the manufactures terms & conditions.

**IMPORTANT:** No liability will be accepted for the incorrect use of this product.

### KEEP THIS BOOKLET FOR FUTURE REFERENCE

📞 Nottingham: 0115 946 1988 • London: 0208 830 3333    ✉ Nottingham: [sales@hscgroupuk.co.uk](mailto:sales@hscgroupuk.co.uk) • London: [sean@hscgroupuk.co.uk](mailto:sean@hscgroupuk.co.uk)    🌐 [www.hscgroupuk.co.uk](http://www.hscgroupuk.co.uk)

The Hire Supply Company Terms & Conditions Apply At All Time E&OE