



PARTS DRAWING



**110v S2 Hepa
Vacuum**

**Product Code:
VAS2110**



Serial Number Range:

From:

To:

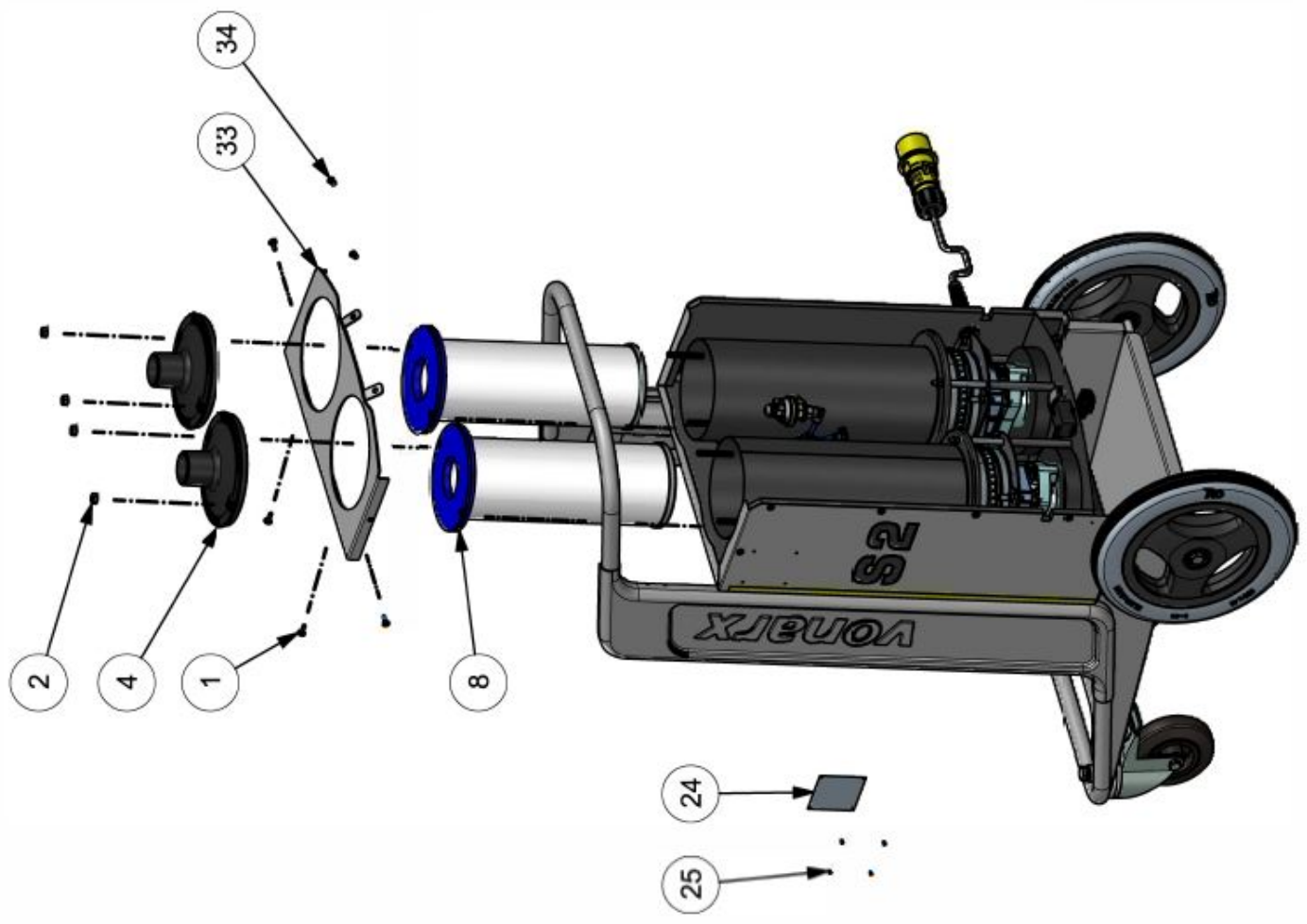
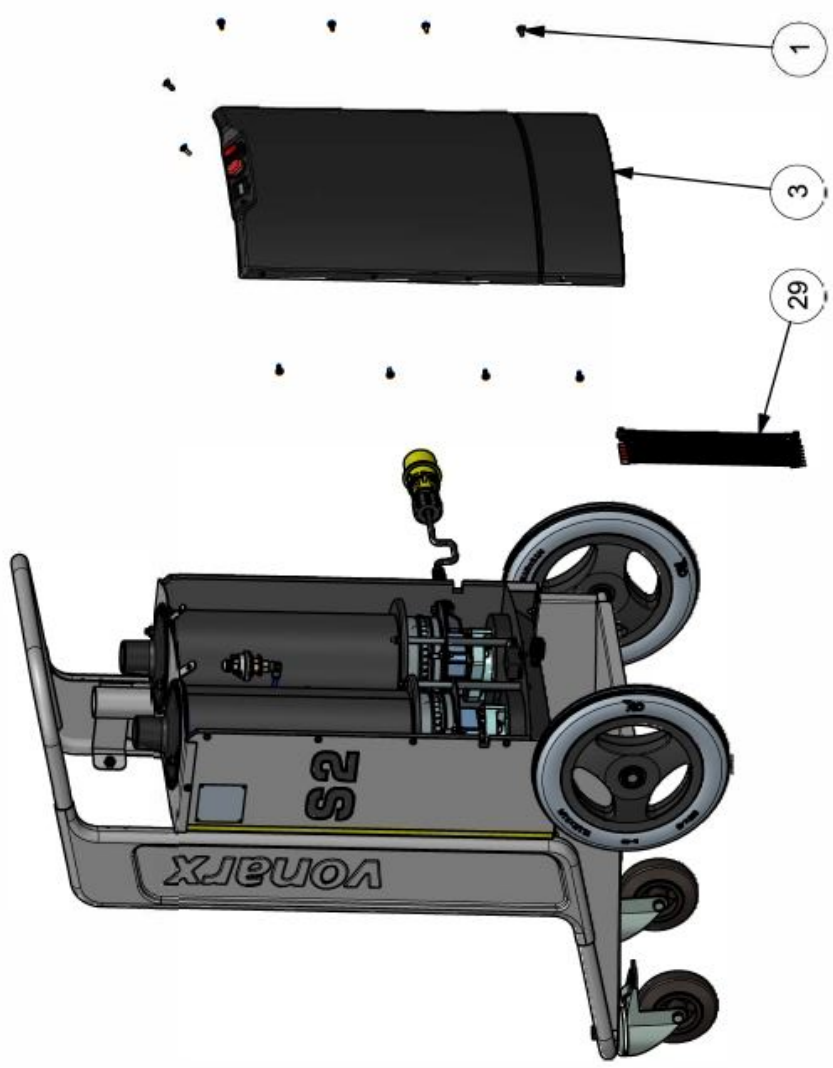
Year Of Manufacture:

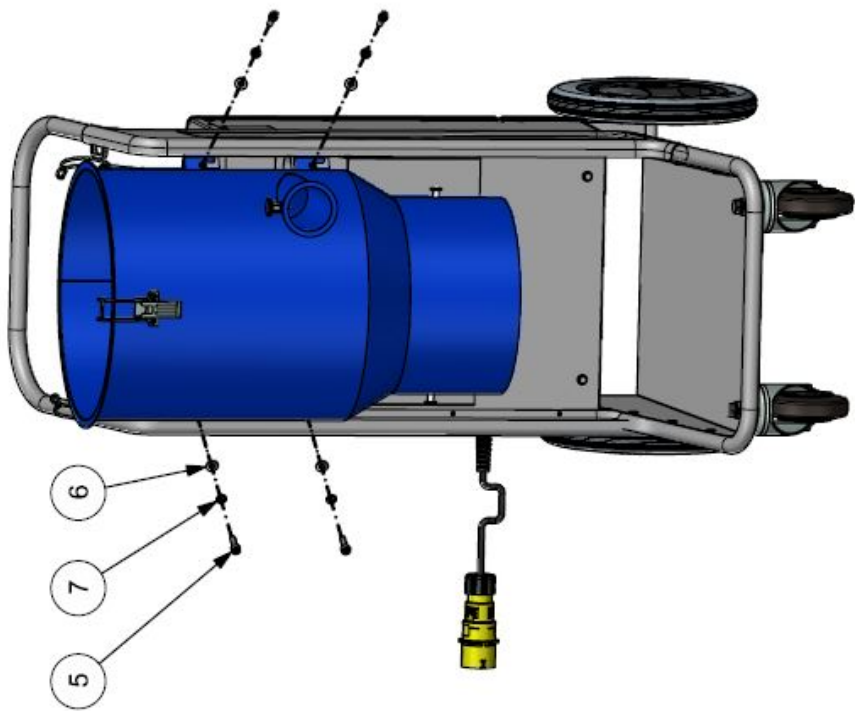
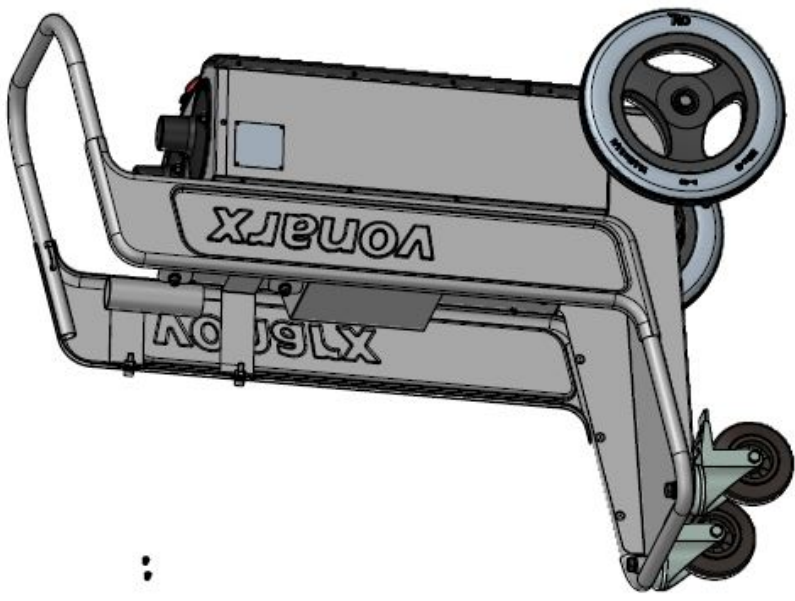
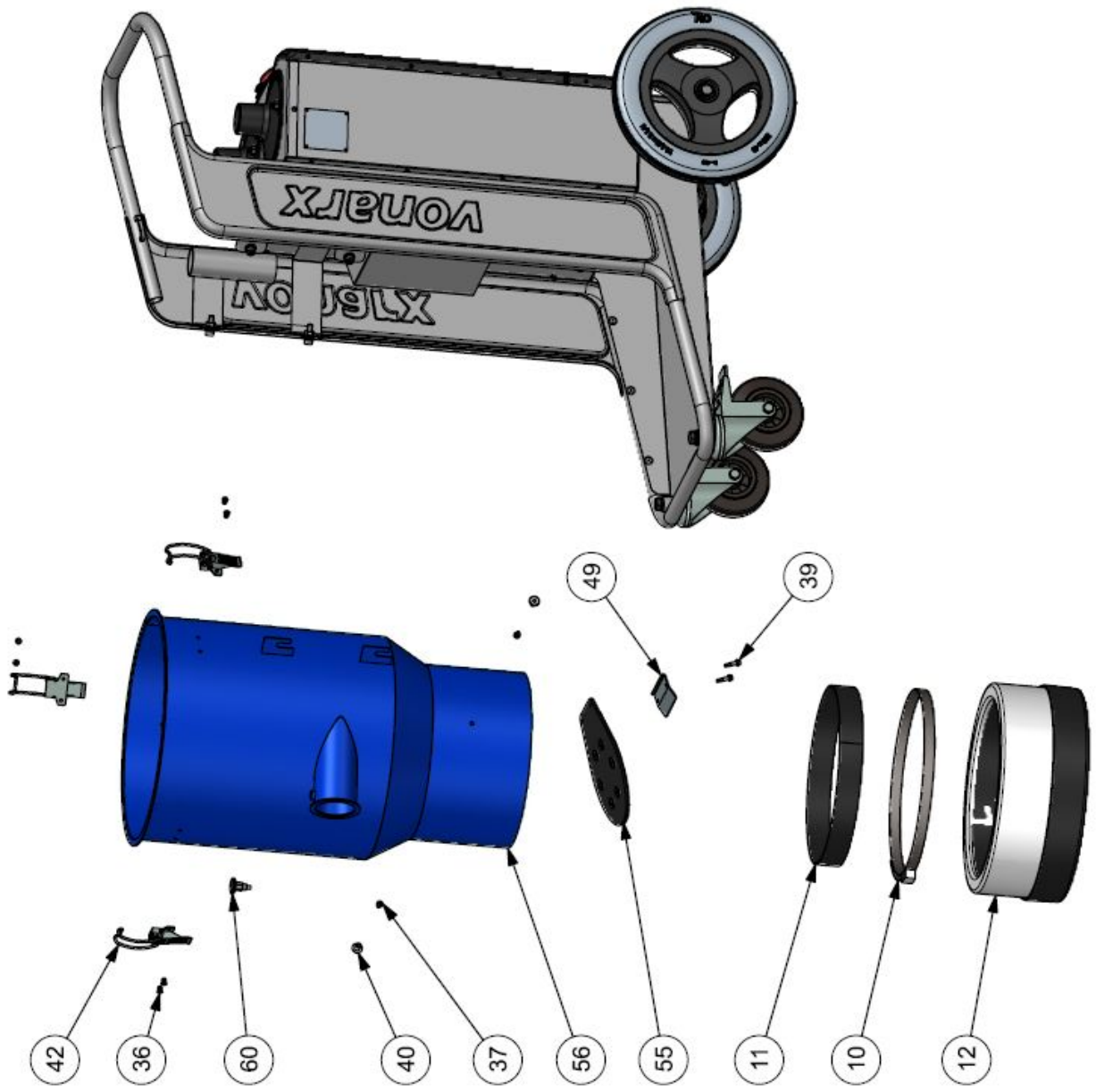
***Please note, when ordering online via our website if the part number is not recognised,
please Email spares@hscgroupuk.co.uk or Telephone 0115 946 1988**

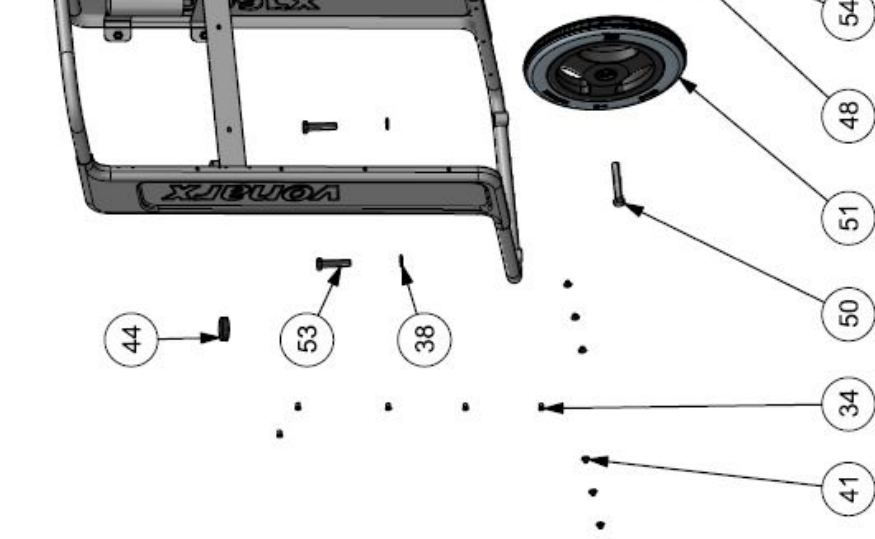
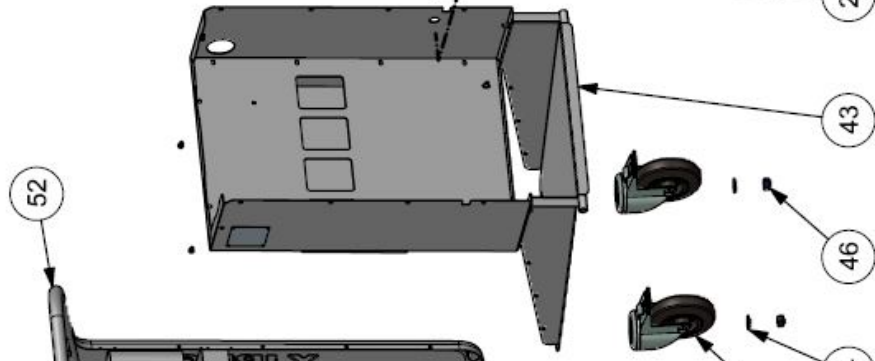
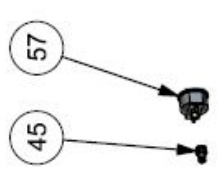
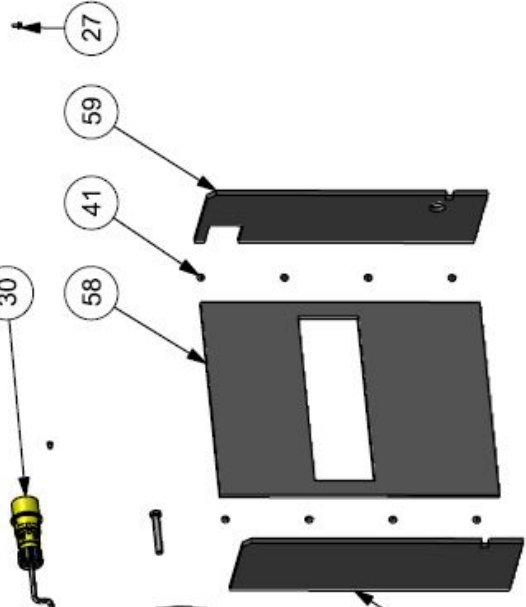
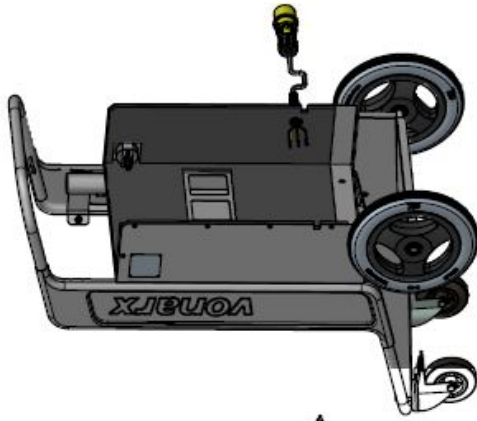
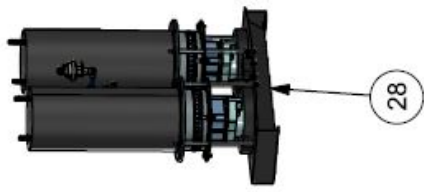
KEEP THIS BOOKLET FOR FUTURE REFERENCE

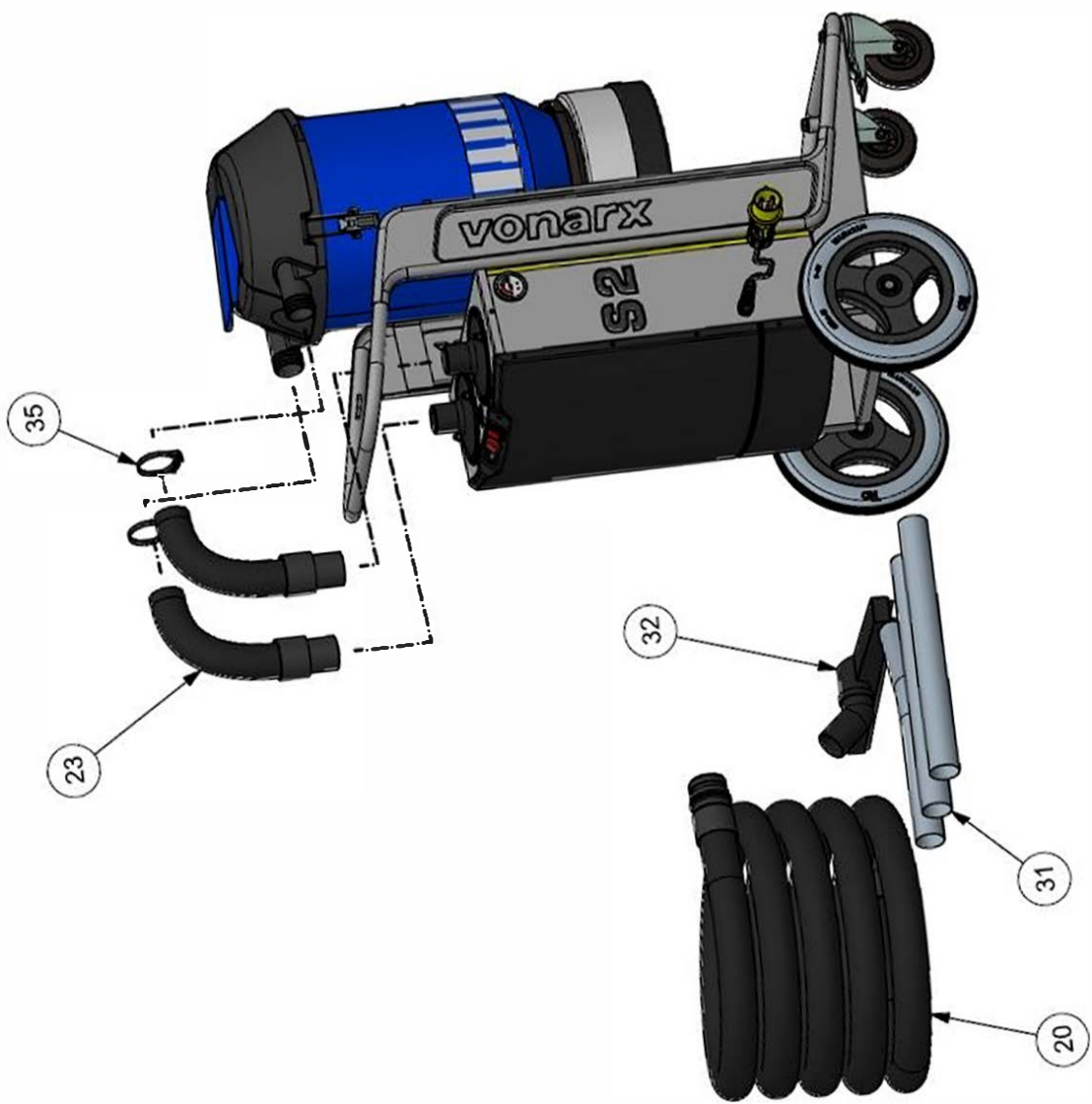
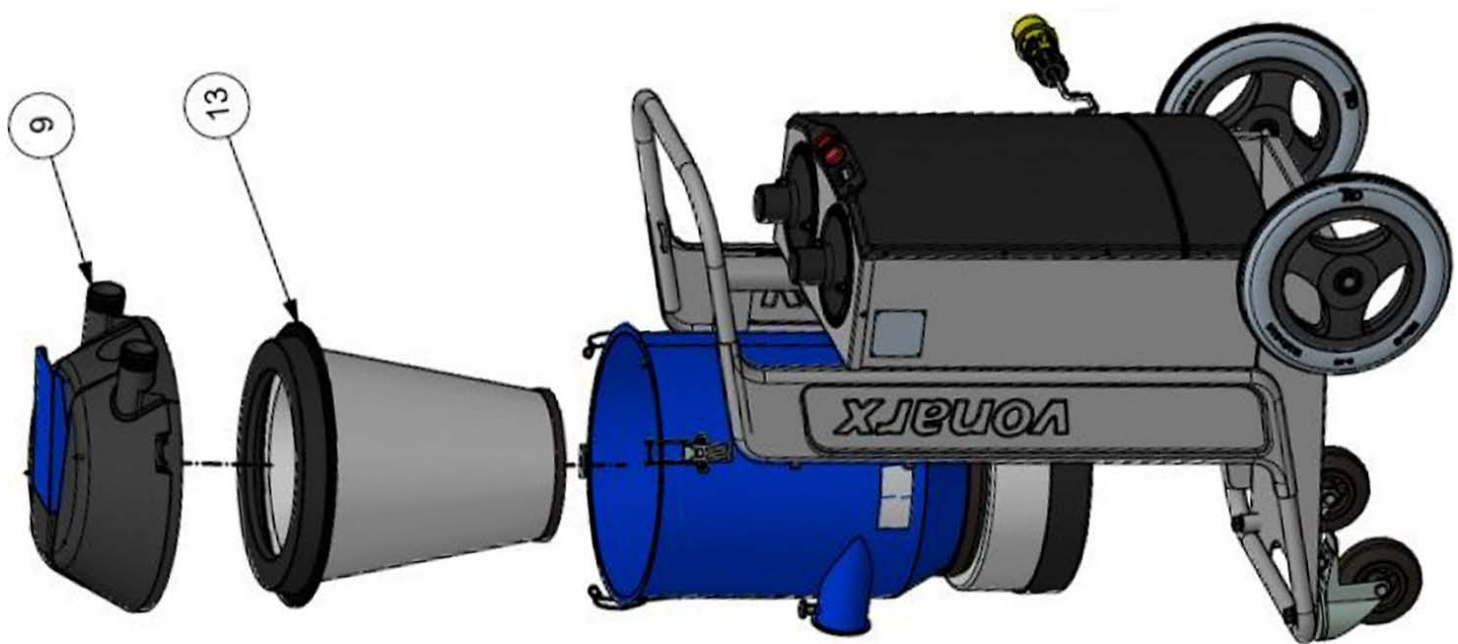
Nottingham: 0115 946 1988 • London: 0208 830 3333 ✉ Nottingham: sales@hscgroupuk.co.uk • London: sean@hscgroupuk.co.uk 🌐 www.hscgroupuk.co.uk

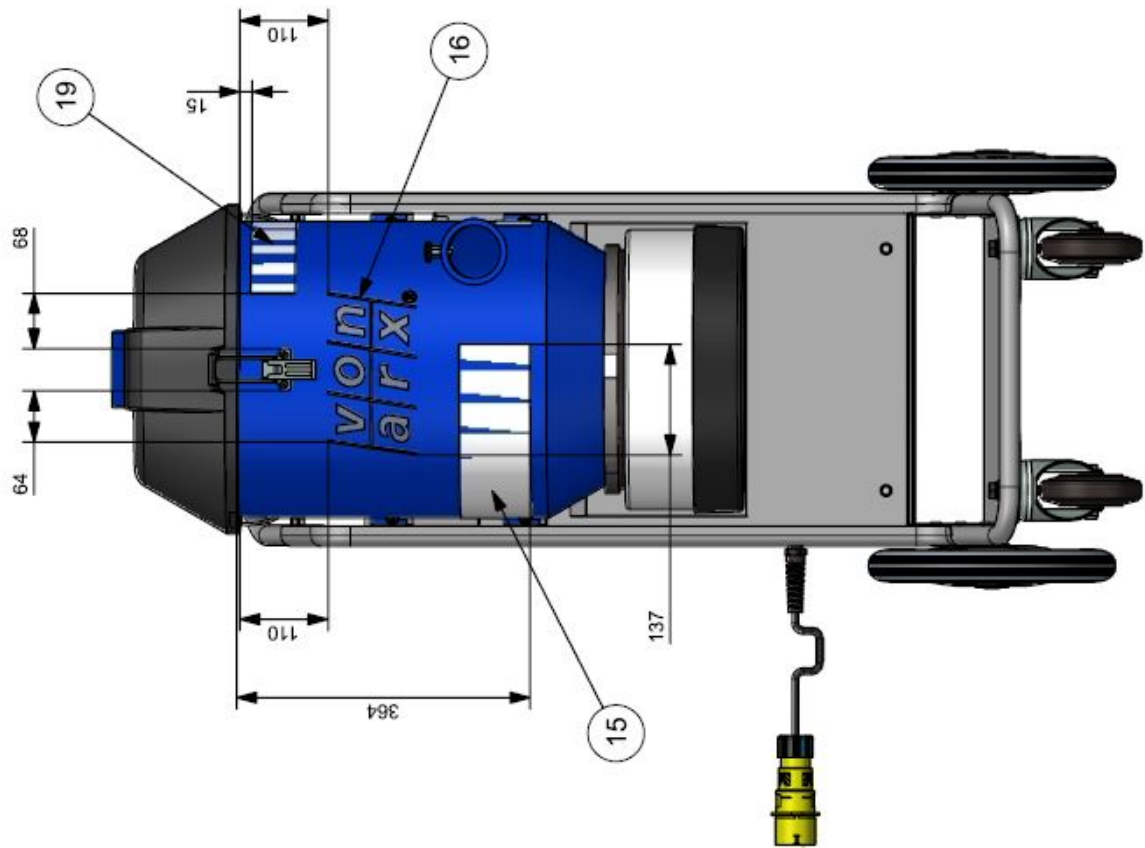
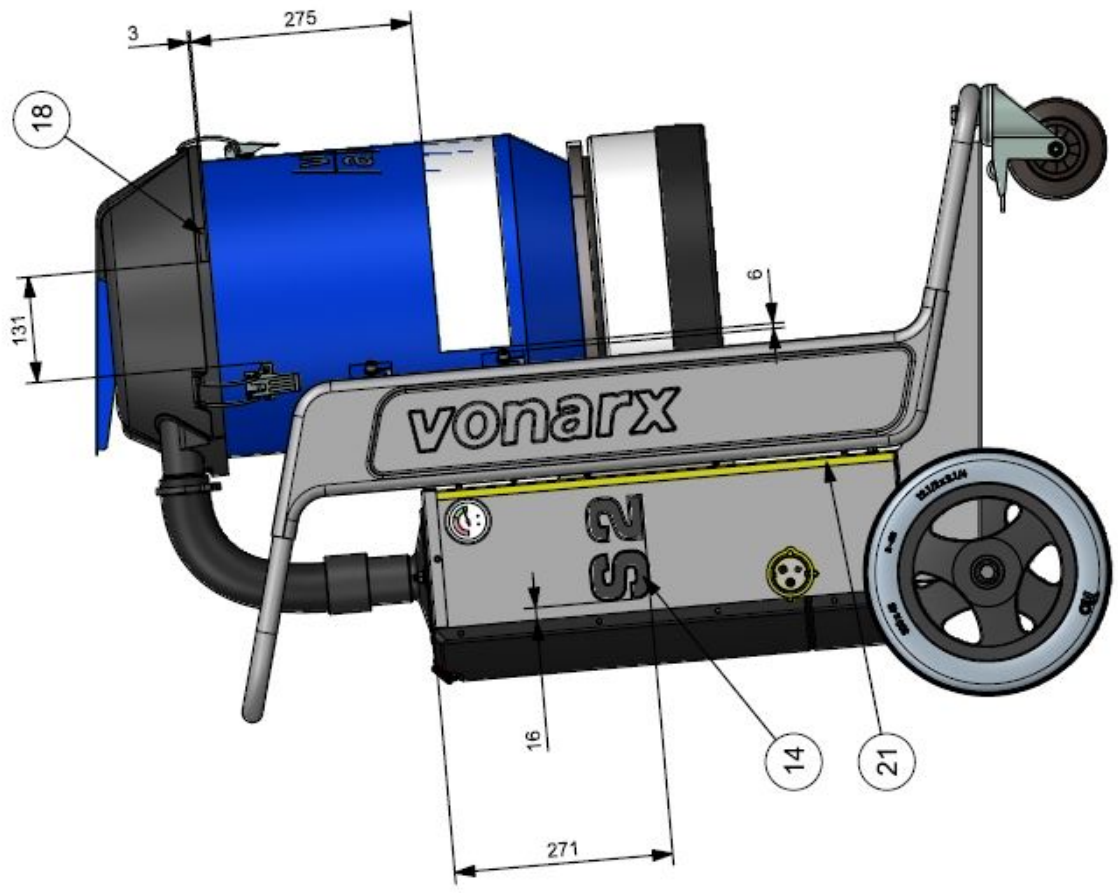
The Hire Supply Company Terms & Conditions Apply At All Time E&OE

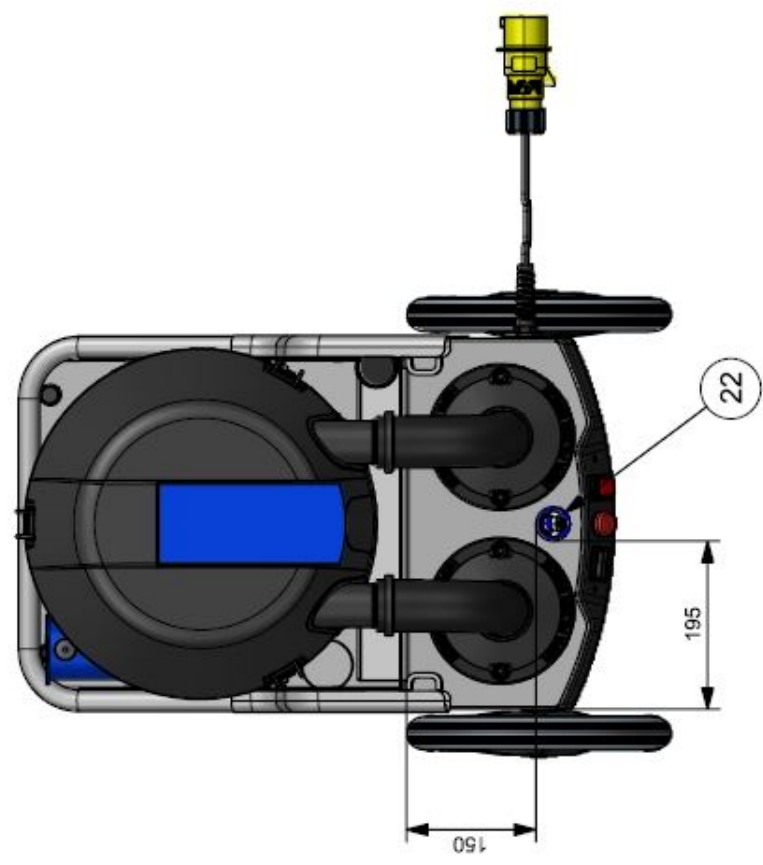
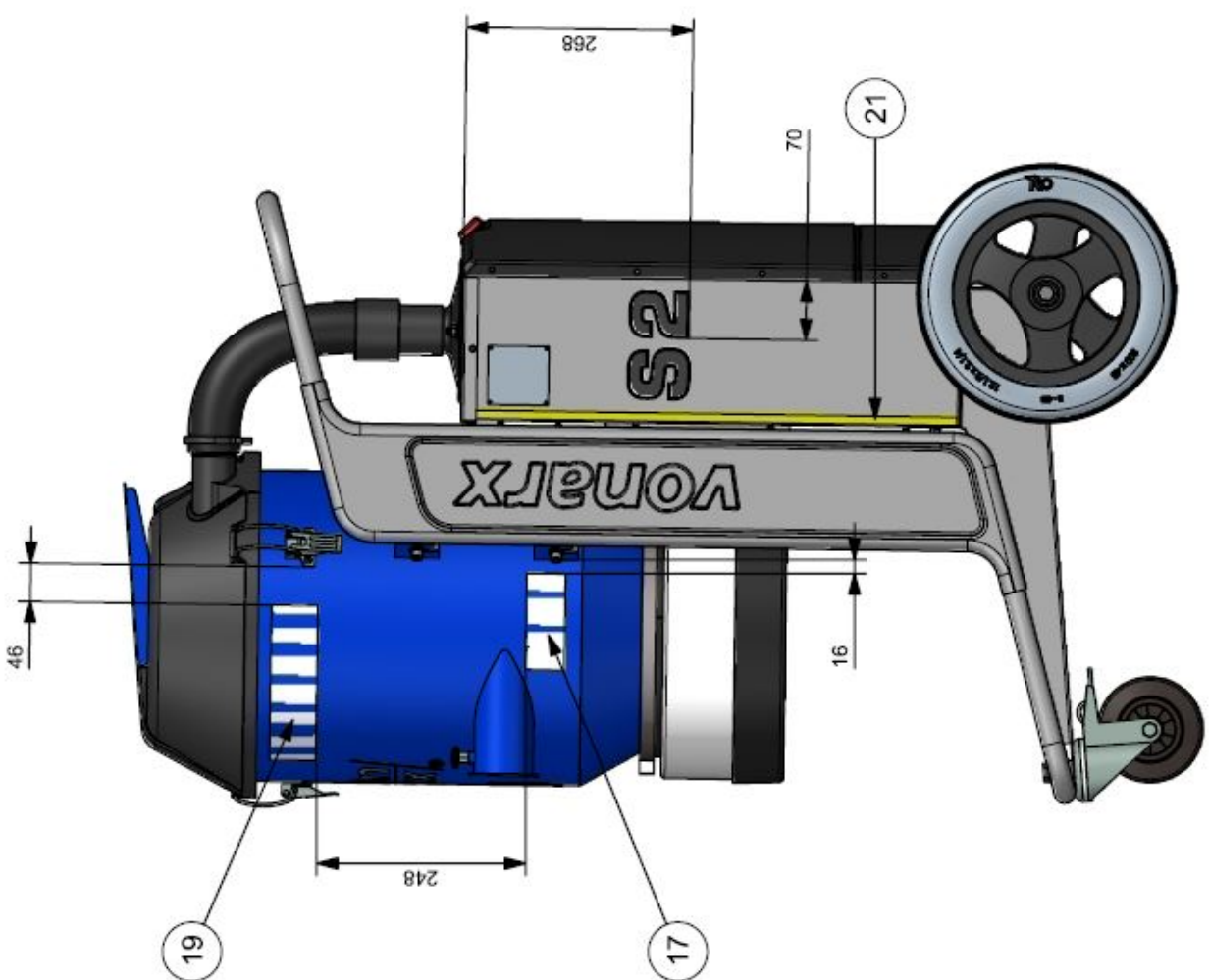












Item No	Part Number	Description	Item No	Part Number	Description
1	VA900770	M5 x 16 Hexagon Socket Button Head Screw	31	VA7500142	Wand Assembly Set
2	VA106764	M8 Hexagon Nut With Flange	32	VA7500143	Floor Tool
3	VA7000255	Rear Plastic Cover With Switches	33	VA7001241	Hepa Filter Cover Plate
4	VA7000248	Hepa Filter Top Cover	34	VA12812	M5 x 20 Blind Rivet Nut
5	VA108640	M8 x 25 Hexagon Socket Head Cap Screw	35	VA900795	Top Hose Clamp
6	VA103898	M8 Plain Washer	36	VA012416	Sealing Blind Rivet 4.8 x 12.4
7	VA105186	M8 Spring Lock Washer	37	VA113667	M6 x 10 Hexagon Socket Button Head Screw
8	VA7500000	Hepa Filter	38	VA105194	Spring Lock Washer
9	VA7001168	Complete Top Cover	39	VA012422	Hex Head Self Drilling Screw
10	VA7500021	Longopac Cargo Lash Belt	40	VA7500039	M6 Nut
11	VA7000013	Cylindrical Tank Seal	41	VA012400	Blind Rivet 4.8 x 10
12	VA7000019	Longopac Bag Holder	42	VA7500012	Side Catch
13	VA7500016	Conical Pre Filter	43	VA7001173	Chassis
14	VA7000496	Sticker - S2	44	VA7500029	D45 PE Round Glide Plug
15	VA7000486	Sticker - H Clasification	45	VA7500175	Connector - Manometer
16	VA7001113	Sticker - Vonarx Front	46	VA108684	Front Wheel Fixing Nut
17	VA7001485	Sticker - Longopac	47	VA7001123	Insulation - Electric Box Left
18	VA7000489	Sticker - Remove For Cleaning	48	VA7500165	Front Braked Castor
19	VA7000490	Sticker - Air Flow	49	VA7000011	Tank Hinge Plate
20	VA7001064	Hose Set - 7.5mtr x 50mm With Cuffs	50	VA111740	M12 x 80 Hexagon Head Screw
21	VA7001097	Sticker - Yellow	51	VA7500014	Rear Wheel - 300 x 45
22	VA7000491	Sticker - Protective Equipment	52	VA7000945	Main Frame
23	VA7001195	Top Hose Set	53	VA104384	Front Wheel Fixing Bolt
24	VA7001207	Product Plate - S202 Vonarx	54	VA113920	Front Wheel Washer
25	VA012532	2.4 x 4 Rivet	55	VA7001268	Tank Release Plate Assembly
26	VA7500121	Cable Gland Nut - PG11 - 211M	56	VA7001143	Tank Assembly
27	VA012421	M6 x 20 Serrated Hex Flange Head Cap Screw	57	VA7500002	Manometer
28	VA7000978	110v Electric Motor Set	58	VA7000137	Insulation - Electric Box
29	VA7001212	Cable Cover Set	59	VA7001122	Insulation - Electric Box Right
30	VA7001216	110v Mains Cable	60	VA7500038	Indexing Plunger



Recycling



ENVIRONMENTAL PROTECTION: Please recycle any unwanted materials as opposed to disposing them as general waste. It is recommended the original is retained and used to store the product when not in use for prolonged periods of time. If this is not applicable ensure the materials are sorted and recycled in accordance with local regulations.



SPECIFICATION CHANGE: It is our policy to continually improve products to ensure these meet the rigours of the industry we serve. Therefore, as such we reserve the right to alter specifications, data, components & parts with-out prior notice.

WARRANTY: Please refer to the manufactures terms & conditions.

IMPORTANT: No liability will be accepted for the incorrect use of this product.

KEEP THIS BOOKLET FOR FUTURE REFERENCE

📞 Nottingham: 0115 946 1988 • London: 0208 830 3333 ✉ Nottingham: sales@hscgroupuk.co.uk • London: sean@hscgroupuk.co.uk 🌐 www.hscgroupuk.co.uk

The Hire Supply Company Terms & Conditions Apply At All Time E&OE