



PARTS DRAWING



Master XL61 110v Infra-Red Oil-Fired Heater

**Product Code:
XL61110**



Serial Number Range:

From: 04736001484

To:

Year Of Manufacture: 2016

***Please note, when ordering online via our website if the part number is not recognised,
please Email spares@hscgroupuk.co.uk or Telephone 0115 946 1988**

KEEP THIS BOOKLET FOR FUTURE REFERENCE

Nottingham: 0115 946 1988 • London: 0208 830 3333 ✉ Nottingham: sales@hscgroupuk.co.uk • London: sean@hscgroupuk.co.uk 🌐 www.hscgroupuk.co.uk

The Hire Supply Company Terms & Conditions Apply At All Time E&OE

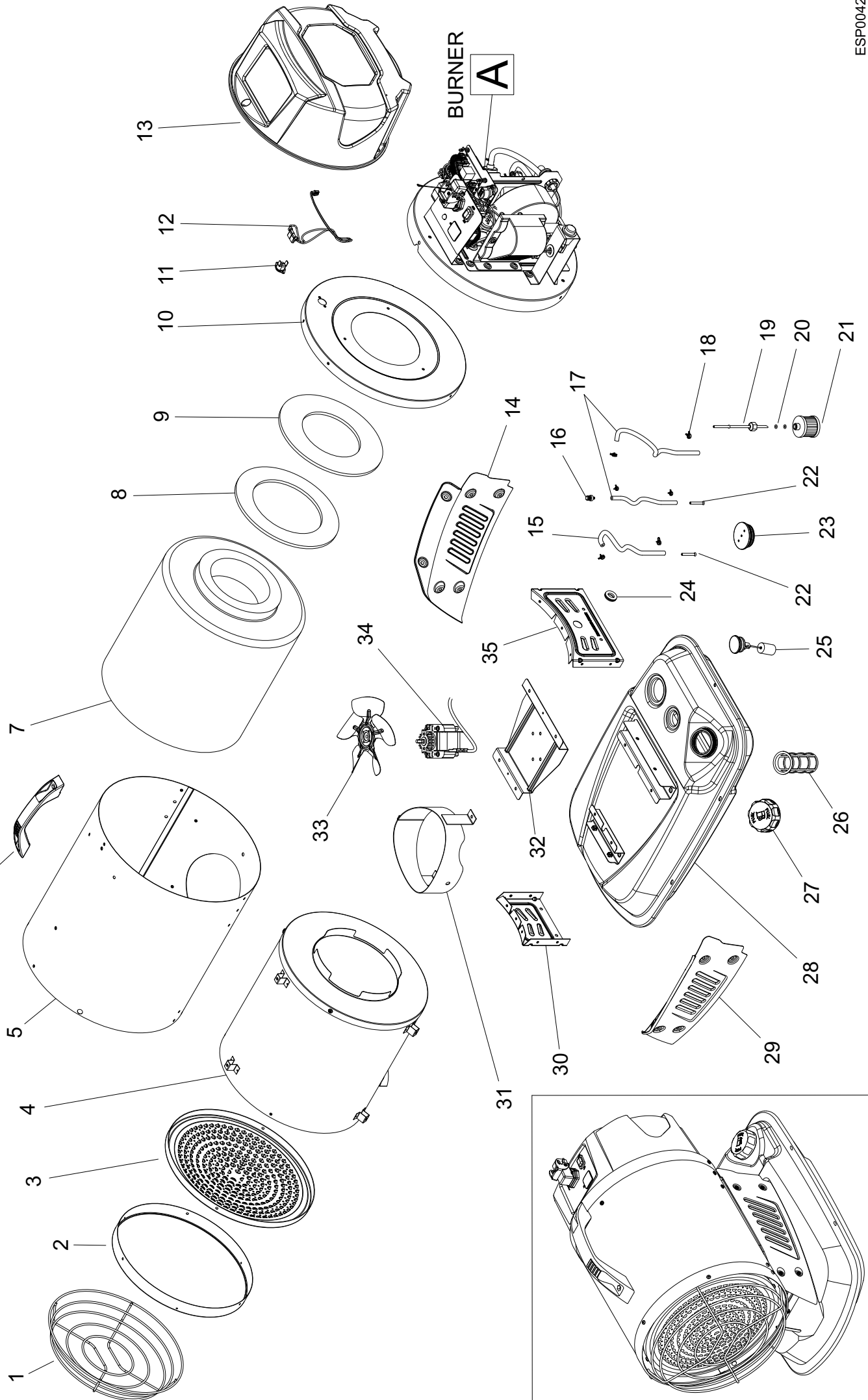
MODEL XL61 - 120 V / 60 Hz

UNIT 1

ILLUSTRATED PARTS BREAKDOWN

From serial number: 04736001484

Rev.- - Sept. 2016

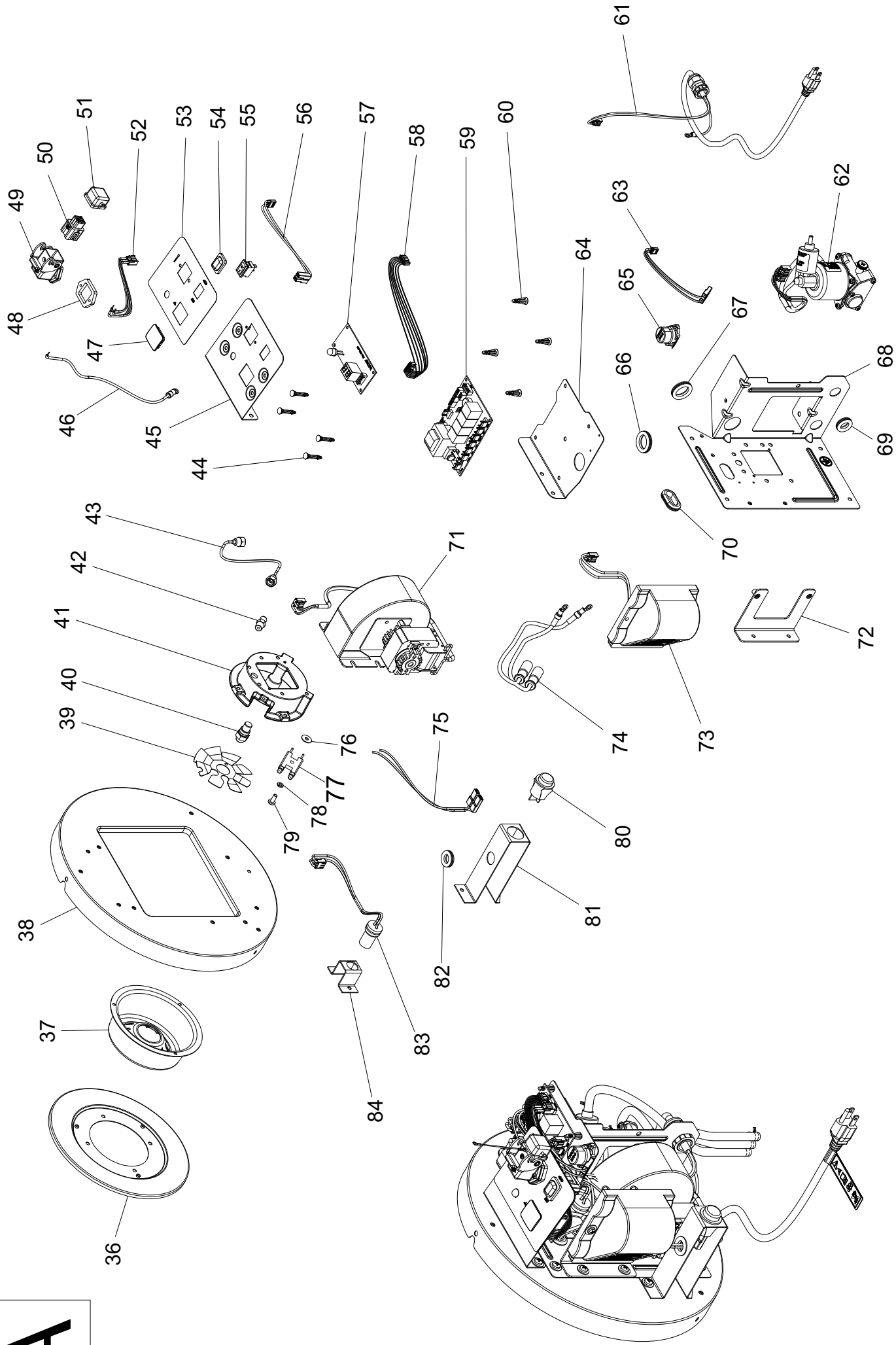


MODEL XL61 - 120 V / 60 Hz

UNIT 2

A

ILLUSTRATED PARTS BREAKDOWN



MODEL XL61 - 120 V / 60 Hz

UNIT 2

PARTS LIST

Rev. - - Sept. 2016

POS.	Code NR	Description
1	4201.046	PROTECTION GRILLE
2	4201.074	GRILLE RING
3	4201.045	RADIATION DISK
4	4201.038	COMBUSTION CHAMBER
5	4201.021	VARNISHED SHELL
6	4201.231	HANDLE
7	4201.044	INSULATION CILINDER
8	4201.032	CERAMIC FIBER GASKET
9	4201.139	PAPER GASKET
10	4201.421	BURNER PLATE
11	4032.883	SAFETY THERMOSTAT
12	4201.290	THERMOSTAT WIRES
13	4201.353	COVER
14	4201.011	DX SIDE SHELL
15	4201.061	OIL PIPE
16	4260.246	BREATHE VALVE
17	4201.062	OIL PIPE
18	4290.027	CLIP
19	4260.059	OIL PIPE + NUT
20	4290.024	O-RING
21	4290.025	OIL FILTER
22	4201.415	OIL CONNECTION
23	4201.443	RUBBER BUSHING
24	4290.052	CABLE FEEDTHROUGH
25	4260.006	FUEL GAUGE
26	4290.239	TANK FILTER
27	4100.054	TANK CAP
28	4201.000	TANK
29	4201.013	SX SIDE SHELL
30	4201.007	FRONT SHELL
31	4201.018	VENTILATION MOTOR CONVEYOR
32	4201.064	VENTILATION MOTOR SUPPORT
33	4201.065	FAN
34	4260.146	VENTILATION MOTOR
35	4201.009	REAR SHELL
36	4201.031	COMPENSATION FLANGE
37	4201.030	COMBUSTION HEAD DIFFUSER
38	4201.077	BURNER PLATE
39	4201.034	TURBOLATION DISK
40	4260.001	NOZZLE
41	4201.033	COMBUSTION HEAD
42	4290.053	STRAIGHT CONNECTION
43	4201.052	OIL PIPE
44	4290.028	SPACERS
45	4201.404	DISPLAY PLATE
46	4117.697	GROUND WIRE
47	4201.068	DISPLAY COVER
48	4201.426	THERMOSTAT SPACER
49	4160.647	THERMOSTAT 90° CONNECTION
50	4161.400	THERMOSTAT PLUG

MODEL XL61 - 120 V / 60 Hz

UNIT 3

PARTS LIST

POS.	Code NR	Description	Rev. - - Sept. 2016
51	4162.467	THERMOSTAT CAP	
52	4117.695	THERMOSTAT WIRES	
53	4201.447	DISPLAY LABEL	
54	4104.336	SWITCH COVER	
55	4106.179	SWITCH	
56	4201.289	SWITCH WIRE	
57	4201.424	DISPLAY BOARD	
58	4201.293	DISPALY BOARD WIRES	
59	4201.445	PC-BOARD	
60	4290.021	SPACERS	
61	4201.226	POWER CORD	
62	4260.141	PUMP	
63	4201.297	ANTI-TILT WIRES	
64	4201.027	PC-BOARD SUPPORT	
65	4260.110	ANTI-TILT SWITCH	
66	4290.003	CABLE FEEDTHROUGH	
67	4290.003	CABLE FEEDTHROUGH	
68	4201.135	BURNER COMPONENTS BRACKET	
69	4290.052	CABLE FEEDTHROUGH	
70	4290.055	CABLE FEEDTHROUGH	
71	4260.147	COMBUSTION MOTOR	
72	4201.351	TRANSFORMER BRACKET	
73	4260.249	HIGH TENSION TRANSFORMER	
74	4201.347	HIGH TENSION WIRES	
75	4201.330	RESET WIRES	
76	4110.394	FIBER WASHER	
77	4201.035	ELECTRODES	
78	4110.393	ELASTIC WASHER	
79	4160.601	SCREW	
80	4260.233	RESET SWITCH	
81	4201.327	RESET SWITCH BRACKET	
82	4290.052	CABLE FEEDTHROUGH	
83	4201.260	PHOTOCELL	
84	4201.259	PHOTOCELL BRACKET	

RECOMMENDED PARTS LIST

POS.	Code NR	Description	Rev. - - Sept. 2016
3	4201.045	RADIATION DISK	
4	4201.038	COMBUSTION CHAMBER	
7	4201.044	INSULATION CILINDER	
11	4032.883	SAFETY THERMOSTAT	
21	4290.025	OIL FILTER	
27	4100.054	TANK CAP	
34	4260.146	VENTILATION MOTOR	
40	4260.001	NOZZLE	
57	4201.424	DISPLAY BOARD	
59	4201.445	PC-BOARD	
62	4260.141	PUMP	
65	4260.110	ANTI-TILT SWITCH	
73	4260.249	HIGH TENSION TRANSFORMER	
83	4201.260	PHOTOCELL	



Recycling



ENVIRONMENTAL PROTECTION: Please recycle any unwanted materials as opposed to disposing them as general waste. It is recommended the original is retained and used to store the product when not in use for prolonged periods of time. If this is not applicable ensure the materials are sorted and recycled in accordance with local regulations.



SPECIFICATION CHANGE: It is our policy to continually improve products to ensure these meet the rigours of the industry we serve. Therefore, as such we reserve the right to alter specifications, data, components & parts with-out prior notice.

WARRANTY: Please refer to the manufactures terms & conditions.

IMPORTANT: No liability will be accepted for the incorrect use of this product.

KEEP THIS BOOKLET FOR FUTURE REFERENCE

📞 Nottingham: 0115 946 1988 • London: 0208 830 3333 ✉ Nottingham: sales@hscgroupuk.co.uk • London: sean@hscgroupuk.co.uk 🌐 www.hscgroupuk.co.uk

The Hire Supply Company Terms & Conditions Apply At All Time E&OE