



# PARTS DRAWING



## Master XL61 240v Infra-Red Oil-Fired Heater

**Product Code:  
XL61**



Serial Number Range:

From: 05740002242

To:

Year Of Manufacture: 2021

**\*Please note, when ordering online via our website if the part number is not recognised, please Email [spares@hscgroupuk.co.uk](mailto:spares@hscgroupuk.co.uk) or Telephone 0115 946 1988**

### KEEP THIS BOOKLET FOR FUTURE REFERENCE

Nottingham: 0115 946 1988 • London: 0208 830 3333 ✉ Nottingham: [sales@hscgroupuk.co.uk](mailto:sales@hscgroupuk.co.uk) • London: [sean@hscgroupuk.co.uk](mailto:sean@hscgroupuk.co.uk) 🌐 [www.hscgroupuk.co.uk](http://www.hscgroupuk.co.uk)

The Hire Supply Company Terms & Conditions Apply At All Time E&OE

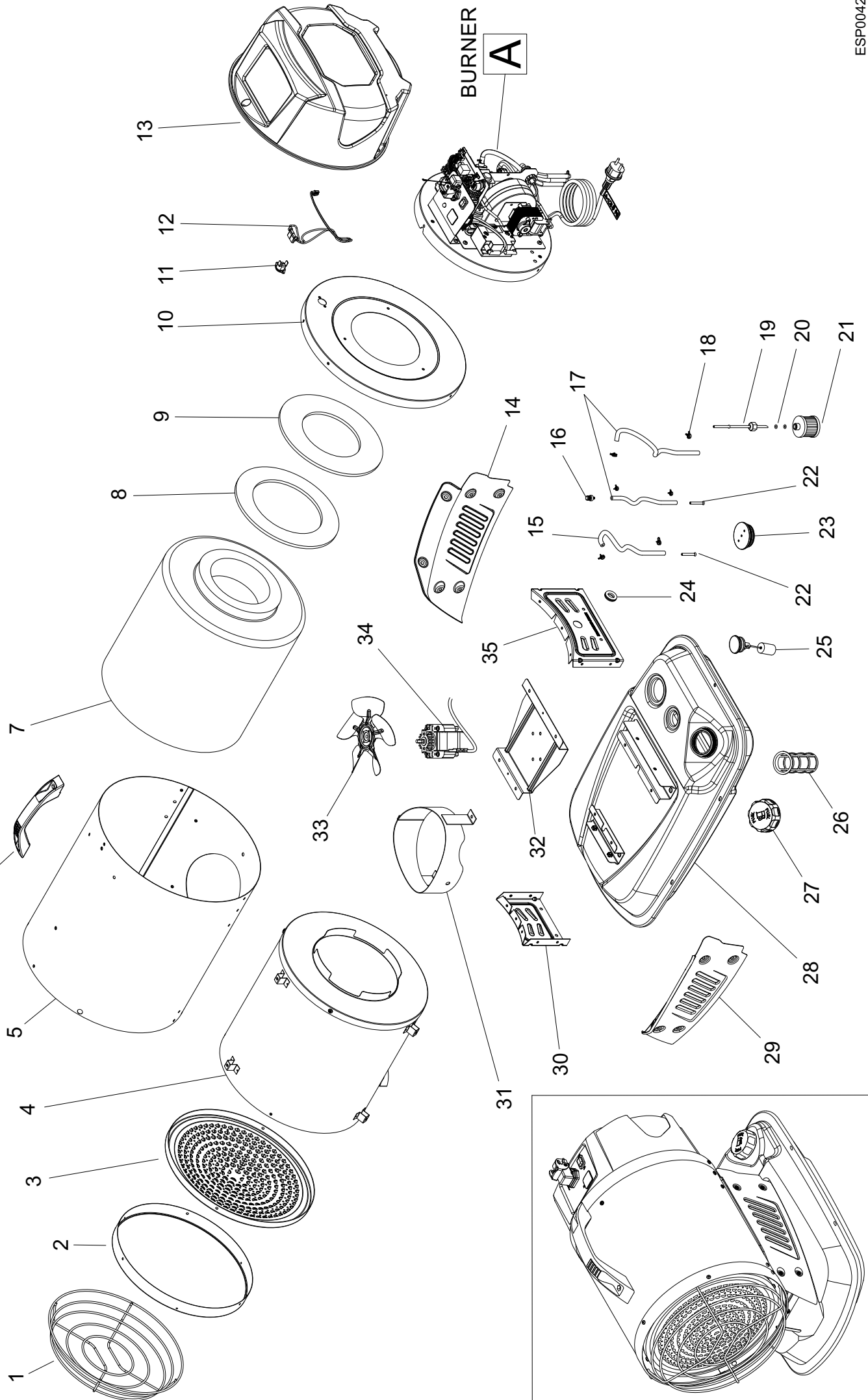
# MODEL XL61 - 230 V / 50 Hz

## UNIT 1

## ILLUSTRATED PARTS BREAKDOWN

From serial number: 05740002242

Rev.B - May 2021

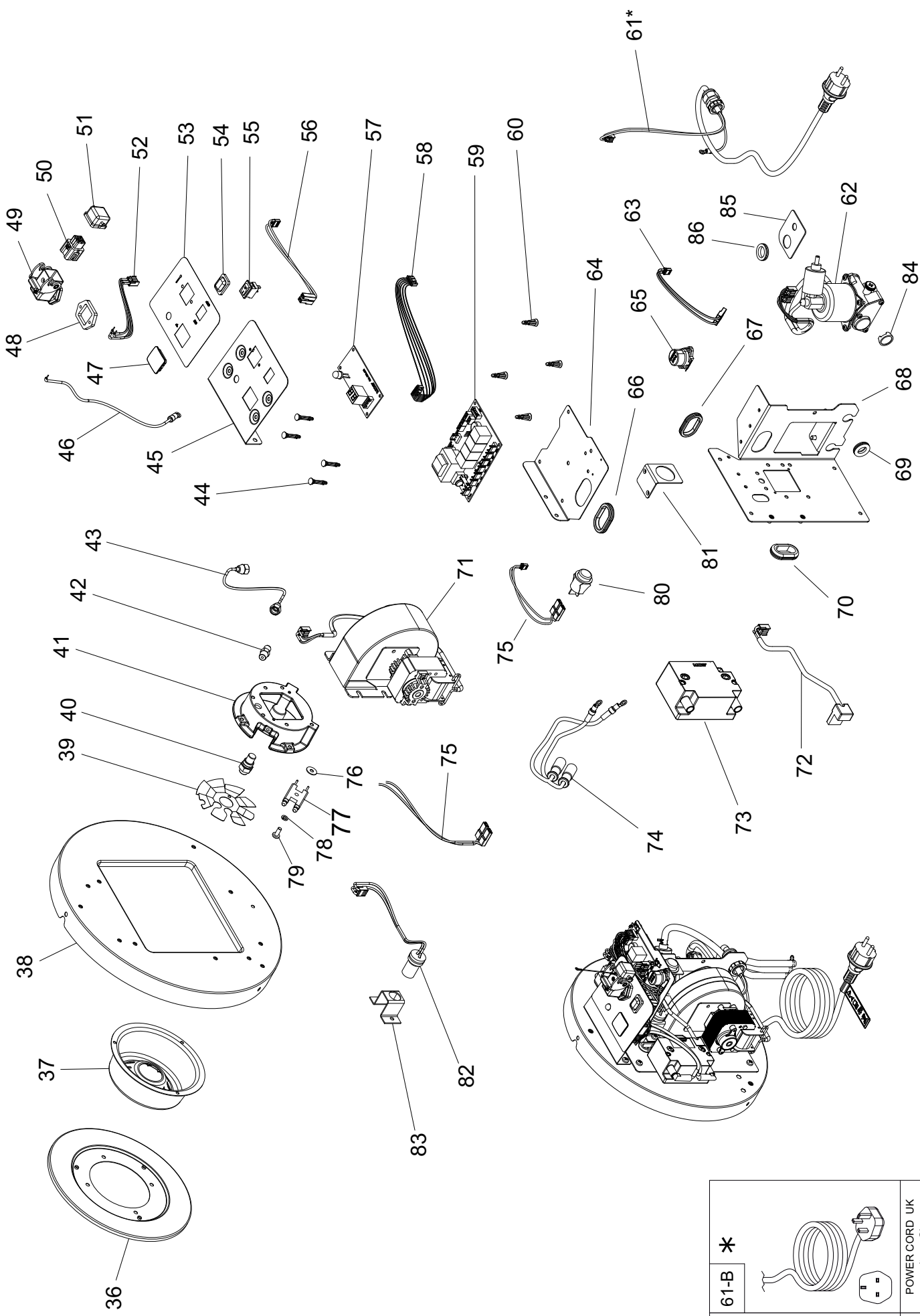


# MODEL XL61 - 230 V / 50 HZ

UNIT 2

## A

ILLUSTRATED PARTS BREAKDOWN



61-A *		POWER CORD New ZL (type I)
61-B *		POWER CORD UK (type G)

# MODEL XL61 - 230 V / 50 Hz

UNIT 2

PARTS LIST

POS.	Code NR	Description
1	4201.046	PROTECTION GRILLE
2	4201.074	GRILLE RING
3	4201.045	RADIATION DISK
4	4201.038	COMBUSTION CHAMBER
5	4201.412	VARNISHED SHELL
6	4201.048	HANDLE
7	4201.492	INSULATION CILINDER
8	4201.032	CERAMIC FIBER GASKET
9	4201.139	PAPER GASKET
10	4201.421	BURNER PLATE
11	4260.254	SAFETY THERMOSTAT
12	4201.290	THERMOSTAT WIRES
13	4201.526	COVER
14	4201.011	DX SIDE SHELL
15	4201.062	OIL PIPE
16	4260.246	BREATHE VALVE
17	4201.062	OIL PIPE
18	4290.027	CLIP
19	4260.059	OIL PIPE + NUT
20	4290.024	O-RING
21	4290.025	OIL FILTER
22	4201.415	OIL CONNECTION
23	4201.443	RUBBER BUSHING
24	4290.052	CABLE FEEDTHROUGH
25	4260.006	FUEL GAUGE
26	4290.239	TANK FILTER
27	4100.054	TANK CAP
28	4201.432	TANK
29	4201.013	SX SIDE SHELL
30	4201.007	FRONT SHELL
31	4201.018	VENTILATION MOTOR CONVEYOR
32	4201.064	VENTILATION MOTOR SUPPORT
33	4201.065	FAN
34	4260.000	VENTILATION MOTOR
35	4201.009	REAR SHELL
36	4201.031	COMPENSATION FLANGE
37	4201.030	COMBUSTION HEAD DIFFUSER
38	4201.077	BURNER PLATE
39	4201.034	TURBOLATION DISK
40	4260.001	NOZZLE
41	4201.033	COMBUSTION HEAD
42	4290.053	STRAIGHT CONNECTION
43	4201.456	OIL PIPE
44	4290.028	SPACERS
45	4201.404	DISPLAY PLATE
46	4117.697	GROUND WIRE
47	4201.068	DISPLAY COVER
48	4201.426	THERMOSTAT SPACER
49	4160.647	THERMOSTAT 90° CONNECTION
50	4161.400	THERMOSTAT PLUG
51	4162.970	THERMOSTAT CAP
52	4117.695	THERMOSTAT WIRES
53	4201.447	DISPLAY LABEL
54	4104.336	SWITCH COVER
55	4106.179	SWITCH

# MODEL XL61 - 230 V / 50 Hz

UNIT 3

PARTS LIST

POS.	Code NR	Description
56	4201.289	SWITCH WIRE
57	4201.424	DISPLAY BOARD
58	4201.293	DISPALY BOARD WIRES
59	4201.427	PC-BOARD
60	4290.021	SPACERS
61	4201.079	POWER CORD SCHUKO
61A	4201.189	POWER CORD NEW ZEALAND
61B	4201.143	POWER CORD UK
62	4260.002	PUMP
63	4201.297	ANTI-TILT WIRES
64	4201.461	PC-BOARD SUPPORT
65	4260.110	ANTI-TILT SWITCH
66	4290.242	CABLE FEEDTHROUGH
67	4290.242	CABLE FEEDTHROUGH
68	4201.437	BURNER COMPONENTS BRACKET
69	4290.052	CABLE FEEDTHROUGH
70	4290.003	CABLE FEEDTHROUGH
71	4260.003	COMBUSTION MOTOR
72	4260.009	HIGH TENSION TRANSFORMER POWER CORD
73	4260.253	HIGH TENSION TRANSFORMER
74	4201.089	HIGH TENSION WIRES
75	4117.692	RESET WIRES
76	4110.394	FIBER WASHER
77	4201.035	ELECTRODES
78	4110.393	ELASTIC WASHER
79	4160.601	SCREW
80	4260.233	RESET SWITCH
81	4201.462	RESET SWITCH BRACKET
82	4201.260	PHOTOCELL
83	4201.259	PHOTOCELL BRACKET
84	4260.320	FUEL PUMP FILTER
85	4201.535	PIPE BRACKET
86	4101.112	RUBBER RING

## RECOMMENDED PARTS LIST

POS.	Code NR	Description
3	4201.045	RADIATION DISK
4	4201.038	COMBUSTION CHAMBER
7	4201.492	INSULATION CILINDER
11	4260.254	SAFETY THERMOSTAT
21	4290.025	OIL FILTER
27	4100.054	TANK CAP
34	4260.000	VENTILATION MOTOR
40	4260.001	NOZZLE
57	4201.424	DISPLAY BOARD
59	4201.427	PC-BOARD
62	4260.002	PUMP
65	4260.110	ANTI-TILT SWITCH
73	4260.253	HIGH TENSION TRANSFORMER
83	4201.260	PHOTOCELL



## Recycling



**ENVIRONMENTAL PROTECTION:** Please recycle any unwanted materials as opposed to disposing them as general waste. It is recommended the original is retained and used to store the product when not in use for prolonged periods of time. If this is not applicable ensure the materials are sorted and recycled in accordance with local regulations.



**SPECIFICATION CHANGE:** It is our policy to continually improve products to ensure these meet the rigours of the industry we serve. Therefore, as such we reserve the right to alter specifications, data, components & parts with-out prior notice.

**WARRANTY:** Please refer to the manufactures terms & conditions.

**IMPORTANT:** No liability will be accepted for the incorrect use of this product.

### KEEP THIS BOOKLET FOR FUTURE REFERENCE

📞 Nottingham: 0115 946 1988 • London: 0208 830 3333    ✉ Nottingham: [sales@hscgroupuk.co.uk](mailto:sales@hscgroupuk.co.uk) • London: [sean@hscgroupuk.co.uk](mailto:sean@hscgroupuk.co.uk)    🌐 [www.hscgroupuk.co.uk](http://www.hscgroupuk.co.uk)

The Hire Supply Company Terms & Conditions Apply At All Time E&OE