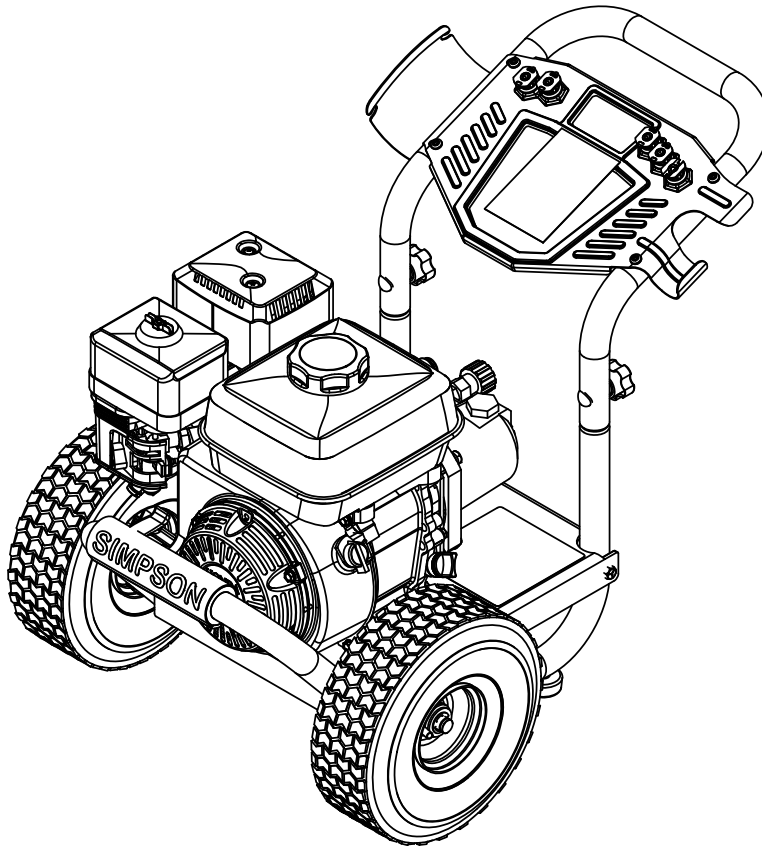
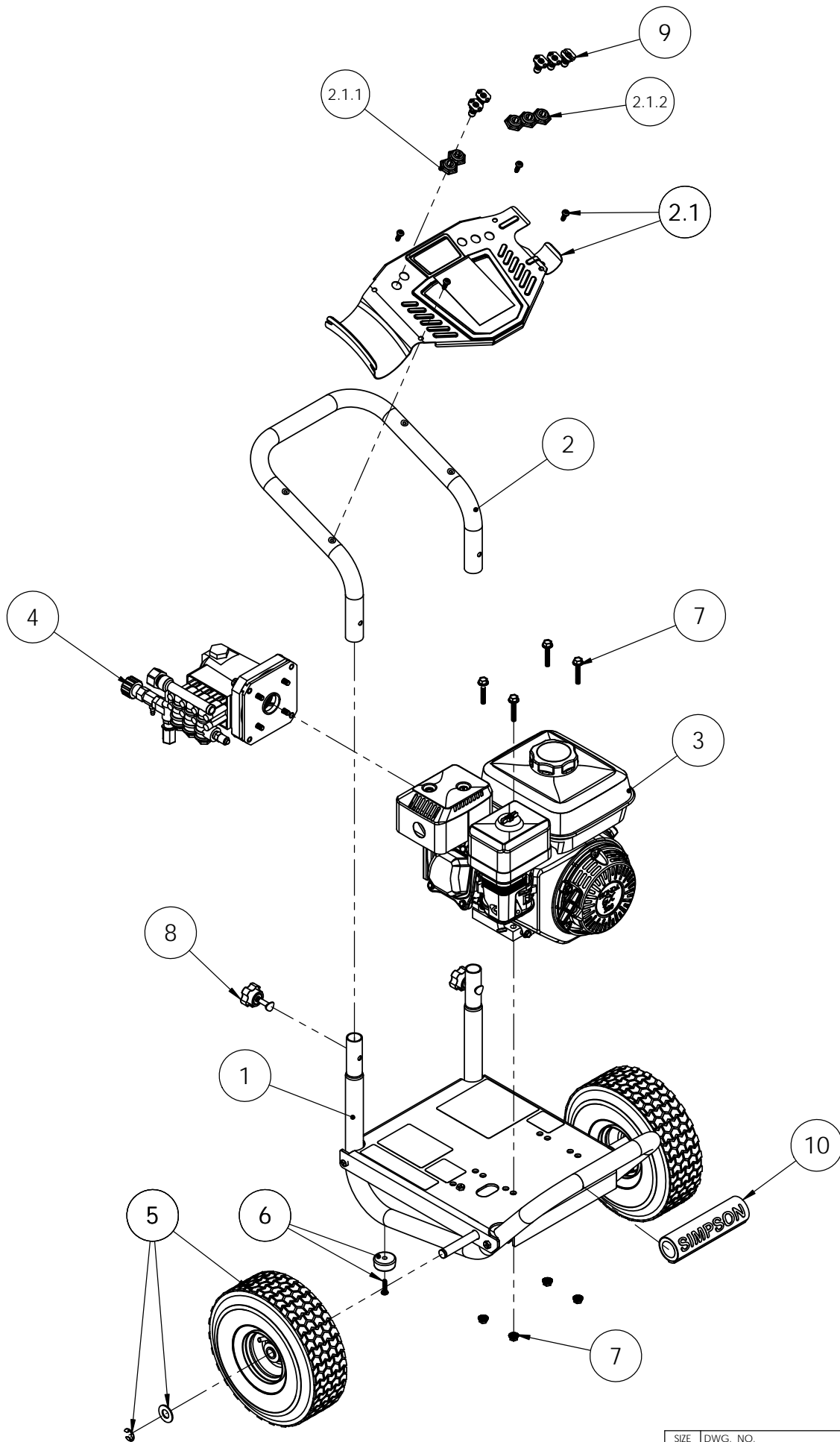


ITEM	PART NO	QTY.	DESCRIPTION
1	7107250	1	BASE FRAME, SVC ASSY W/ LABELS ALUMINUM
2	7110951	1	HANDLE, REAR SERVICE ASSEMBLY WITH LABELS
2.1	7110285	1	ALH3225 DASHBOARD KIT
2.1.1	7107067	1	HOLDER, NOZZLE 2PC RUBBER STRIP
2.1.2	7107068	1	HOLDER, NOZZLE 3PC RUBBER STRIP
3	7110950	1	GX200 ENGINE, SVC ASSY W/LABELS HONDA
4	7104264	1	PUMP, CAT 4DNX25GSI ASSEMBLY
5	7105013	1	WHEEL, SERVICE KIT
6	7107262	2	FOOT KIT, SERVICE KIT
7	7103750	1	MOUNTING KIT, ENGINE
8	7103279	2	HARDWARE KIT, HANDLE MOUNTING
9	7103743	1	NOZZLE, #3.0 5PCSET 0, 15, 25, 40 & SOAP
10	7106671	1	HANDLE GRIP, SIMPSON BLACK W/ WHITE LETTERING

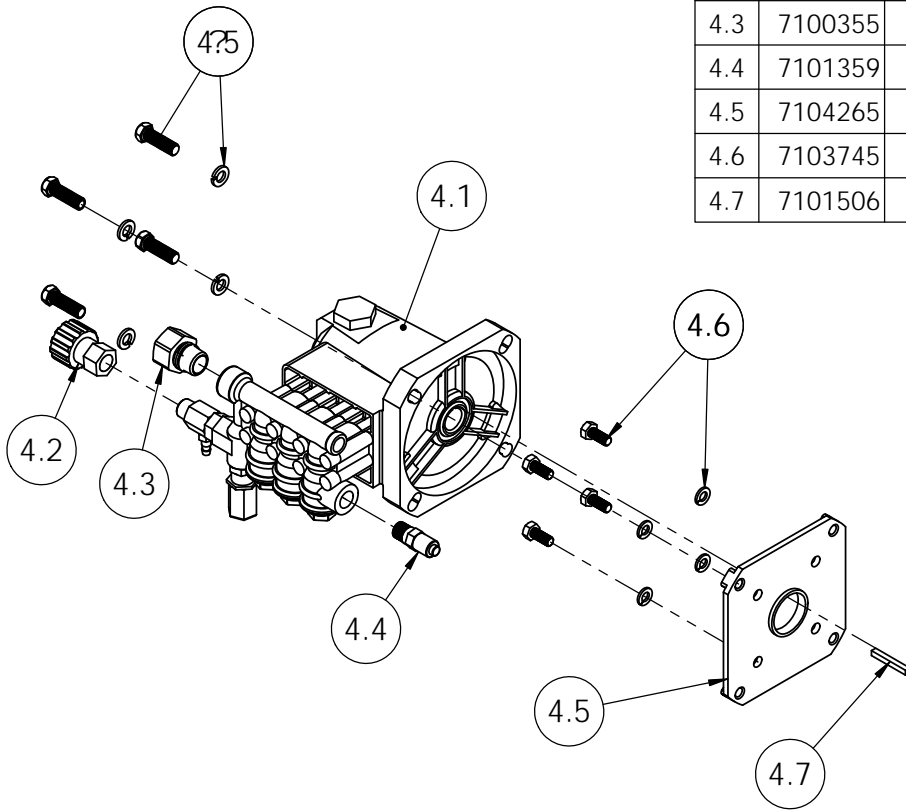


NAME		DATE	FNA-GROUP 1265 INDUSTRIAL STREET, DECATUR, AR 72722	
DRAWN	JHS	FEB 2018		
CHECKED	DH/OSW	FEB 2018	SIMPSON PRO3200PW, 3200PSI @ 2.8GPM	
ENG APPR.	OSW	FEB 2018		
MFG APPR.	-	-		
Q.A. APPR.	-	-		
SERVICE APPR.	DH	FEB 2018		
PROPRIETARY AND CONFIDENTIAL THE INFORMATION CONTAINED IN THIS DRAWING IS THE SOLE PROPERTY OF FNA-GROUP. ANY REPRODUCTION IN PART OR AS A WHOLE WITHOUT THE WRITTEN PERMISSION OF FNA-GROUP IS PROHIBITED.			SIZE DWG. NO. A 60939-S	REV. A
SCALE: N/A		ECN# EC180131	SHEET 1 OF 3	



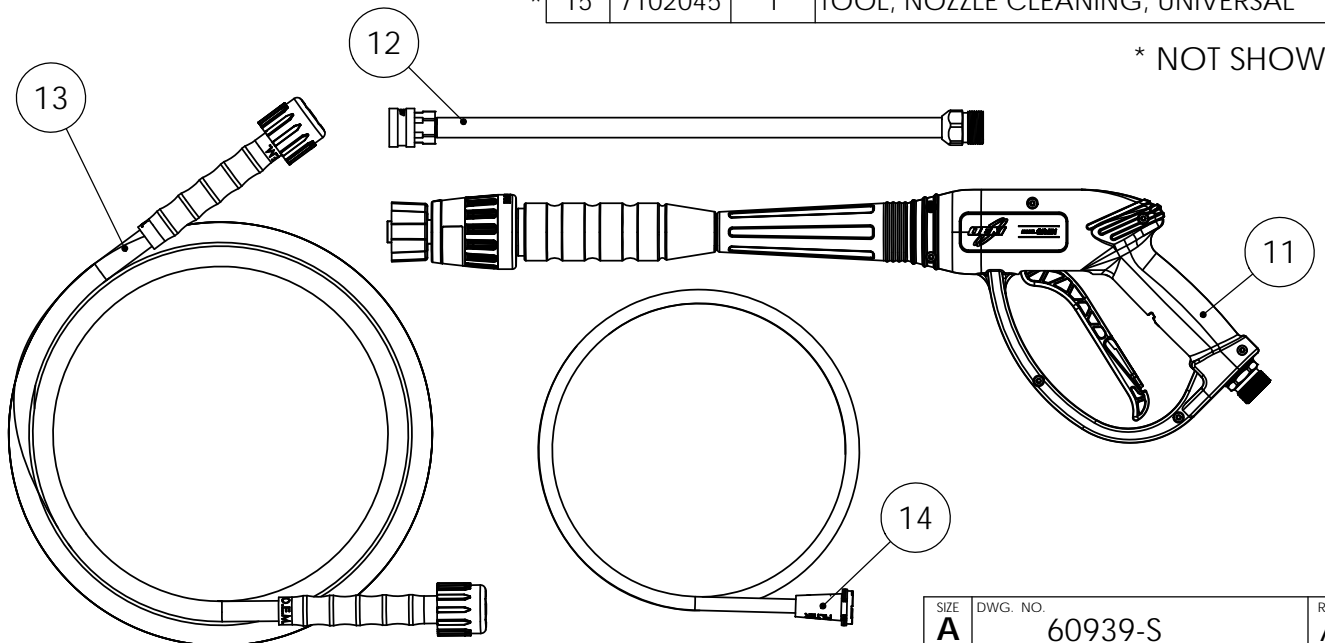
SIZE	DWG. NO.	REV.
A	60939-S	A
SCALE: N/A	ECN# EC180131	SHEET 2 OF 3

ITEM	PART NO	QTY.	DESCRIPTION
4	7104264	1	PUMP, CAT 4DNX25GSI ASSEMBLY
4.1	7106274	1	PUMP, CAT 4DNX25GSI
4.2	7100235	1	ADAPTER, FITTING 3/8 QC(F) X M22(F)
4.3	7100355	1	FITTING, INLET GHT(F) X 3/8" NPT(M)
4.4	7101359	1	THERMAL RELIEF VALVE, 1/4" NPT
4.5	7104265	1	PLATE, PUMP ADAPTER KIT
4.6	7103745	1	HARDWARE KIT, PUMP MOUNT
4.7	7101506	1	KEY, SHAFT 3/16 X 3/16 X 1-1/2



ITEM	PART NO	QTY.	DESCRIPTION
11	7108165	1	GUN, 4500PSI, 6.6GPM, M22 W/DNW OEM
12	7103550	1	LANCE, 16" W/ 1/4 QC AND M22(M)
13	7108807	1	HOSE 5/16 X 25' X 3600PSI PLATINUM M22
14	7102037	1	KIT, SOAP HOSE & FILTER
* 15	7102045	1	TOOL, NOZZLE CLEANING, UNIVERSAL

* NOT SHOWN



SIZE	DWG. NO.	REV.
A	60939-S	A
SCALE: N/A	ECN# EC180131	SHEET 3 OF 3